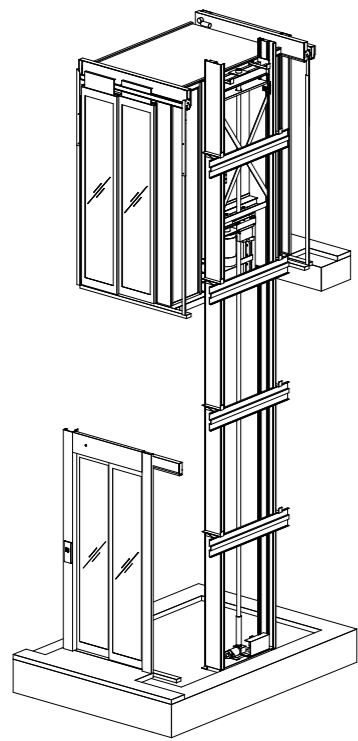
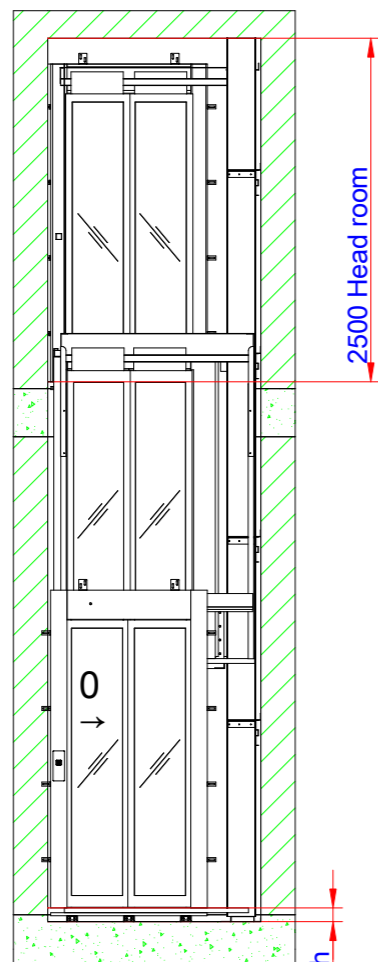
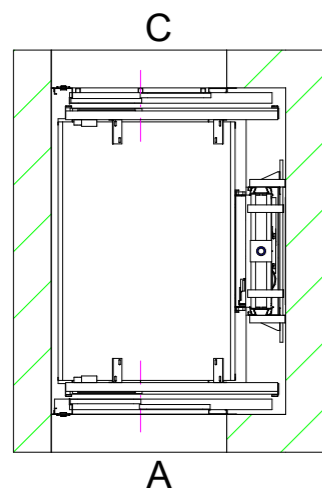


# Lift overview

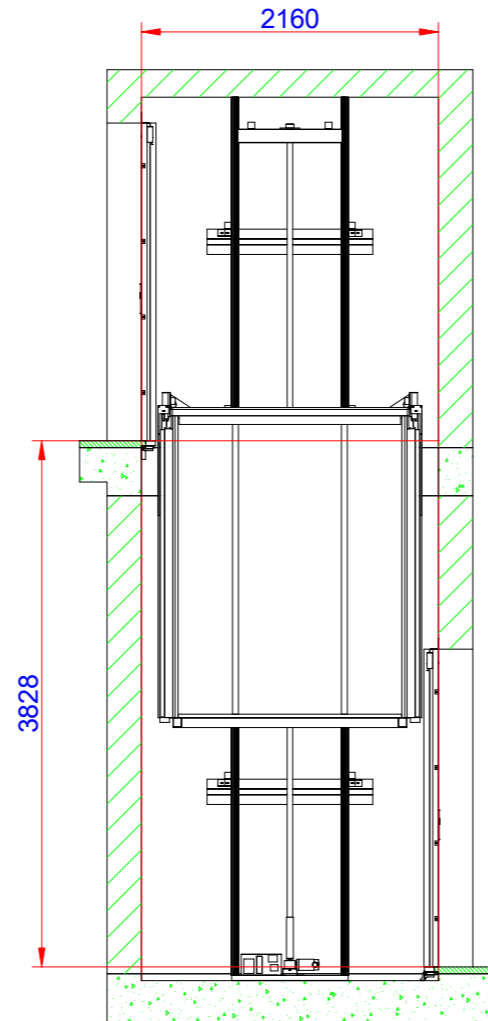
(Cutout dimension see sheet 2, forces see sheet 3  
detailed installation information, see separate instructions)



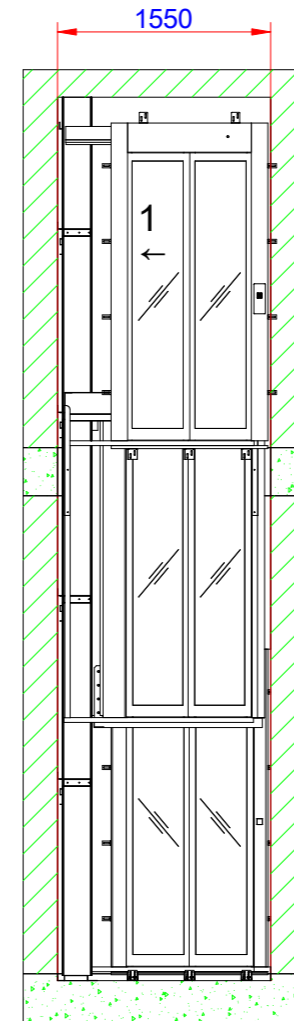
Positioning of machinery:



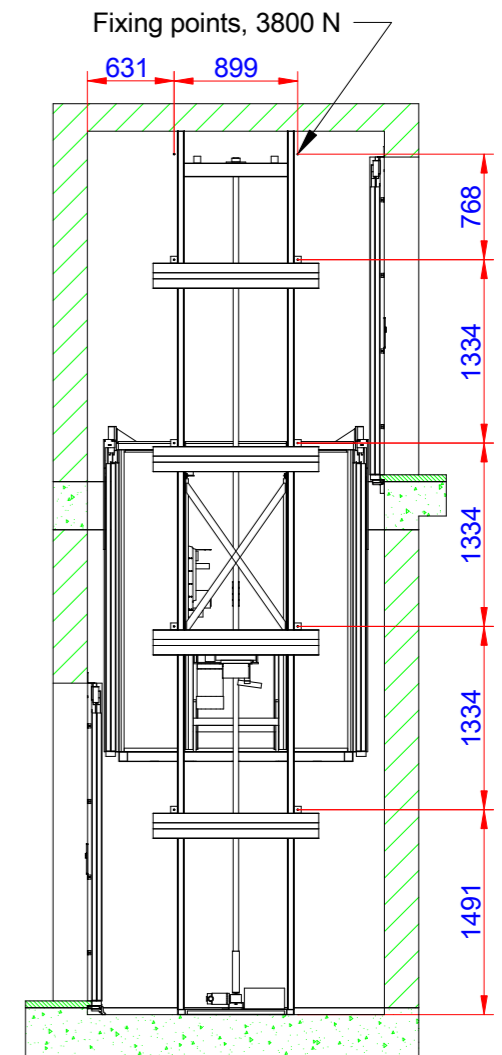
A



B



C



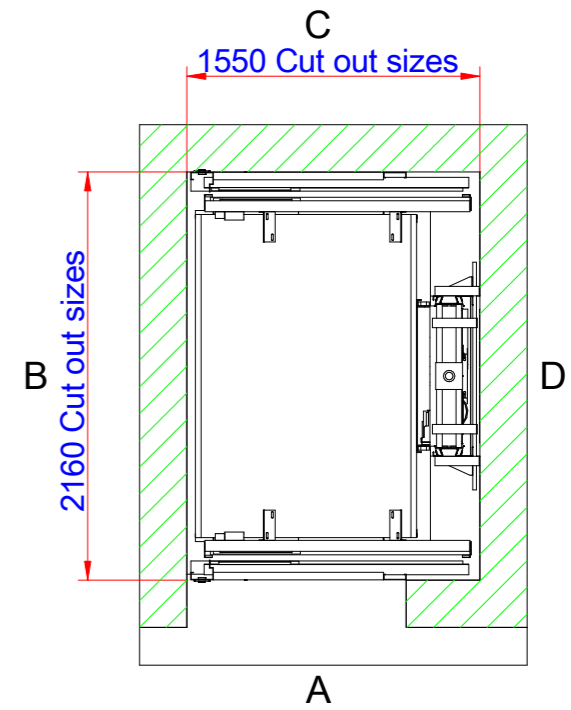
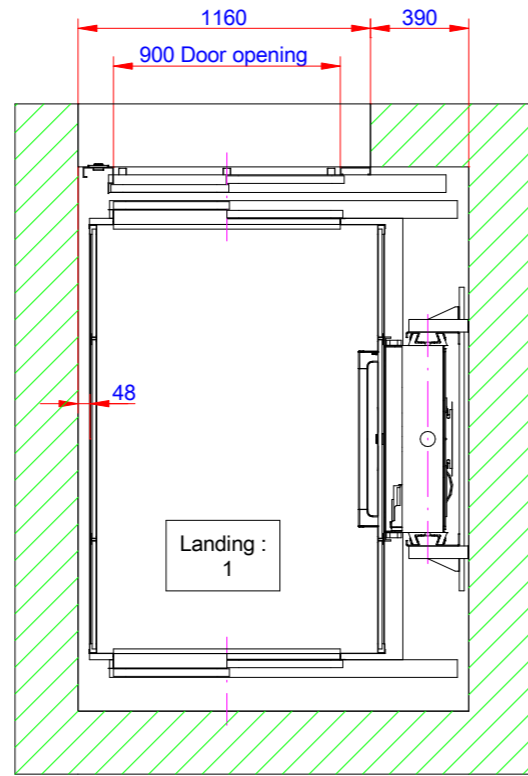
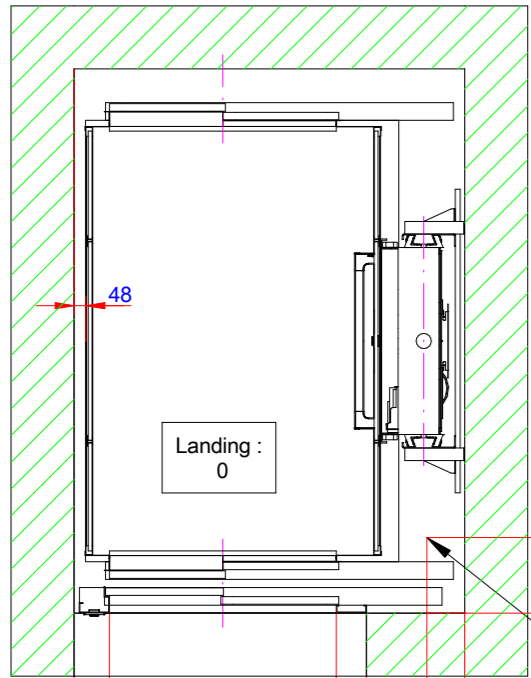
D

Lift unit installed within a shaft by others

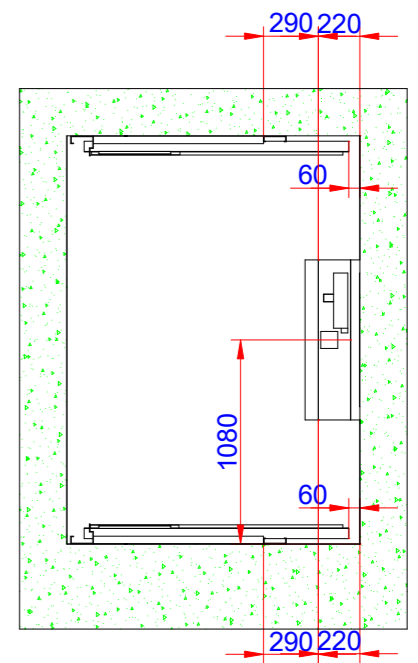
<b>Specification</b> 4 kW Frekv 3x400V 50-60 Hz Soft Capacity: 630,00 kg	Approved by builder: _____
European view placement:	

EOS ID	Principal drawing		
Tender no	C1-Futura - 1100*1700		
Order no	Lift overview		
Gen. Tolerances	Date	sheet	Scale:
SS-ISO 27681-1 m		1 of 6	A3, 1:1

# Cutout sizes for shaft and doors

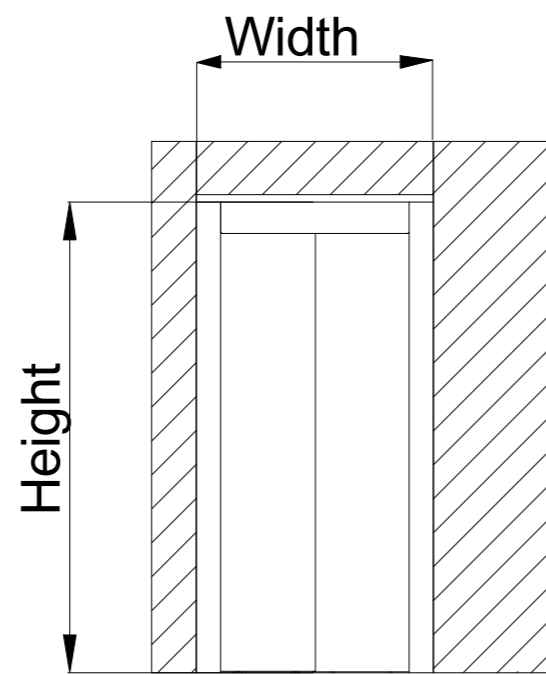


100 mm pit depth + 10 mm, - 0 mm. Bottom surface must be flat



Power supply & telephone cable connection point

Door front cutout sizes			
Landing	Door type	Width	Height
A 0	CS1	1160	2300
C 1	CS1	1160	2300



Door cut out

Approved by builder:  
\_\_\_\_\_

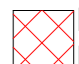

European view placement:

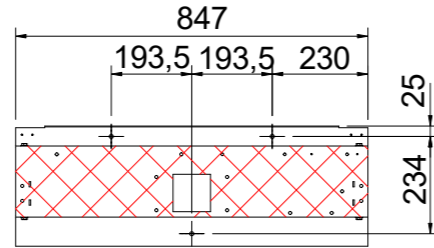


EOS ID		Principal drawing C1-Futura - 1100*1700 Cut out sizes	
Tender no			
Order no		sheet	Scale:
Gen. Tolerances	Date	2 of 6	A3, 1:1
SS-ISO 27681-1 m			

# Loads and forces in pit and on fixing points

Loads sustained by shaft and platform and fixing points bottom frame

 Mast load: 62 kN/m<sup>2</sup>  
 Mast force: 13,38 kN  
 Weight on mast area: 1338



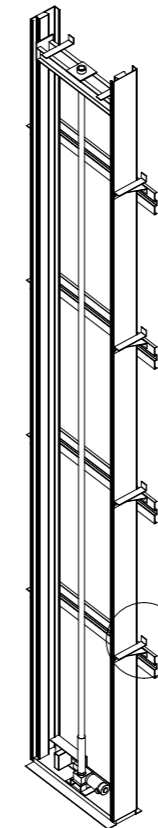
Scale: 1:20

# Fixing points guiderail

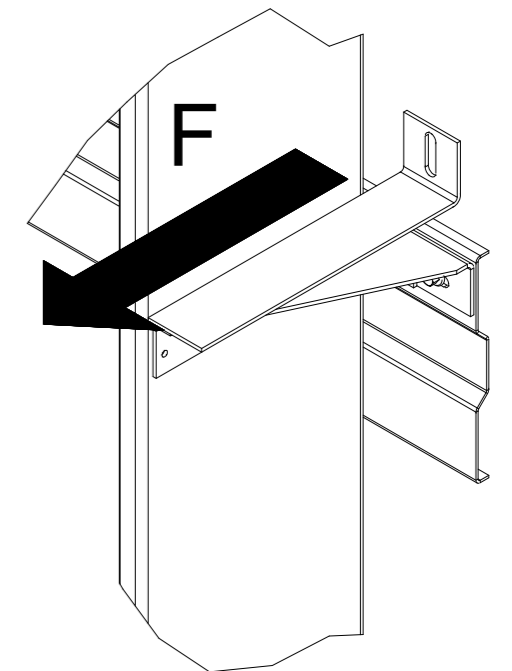
Forces:  
 Fixing points shaft F: 3800 N

Recommended positioning of fixing points, general view

A ( 1:5 )



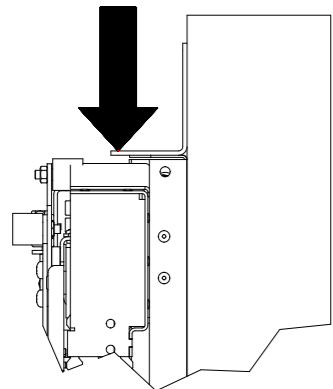
Scale: 1:50



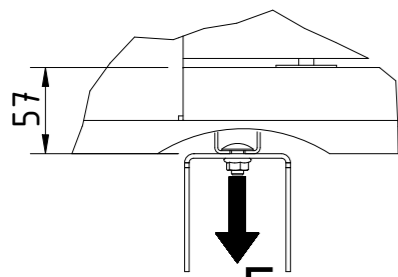
# Fixing points Shaft Doors

B ( 1:10 )

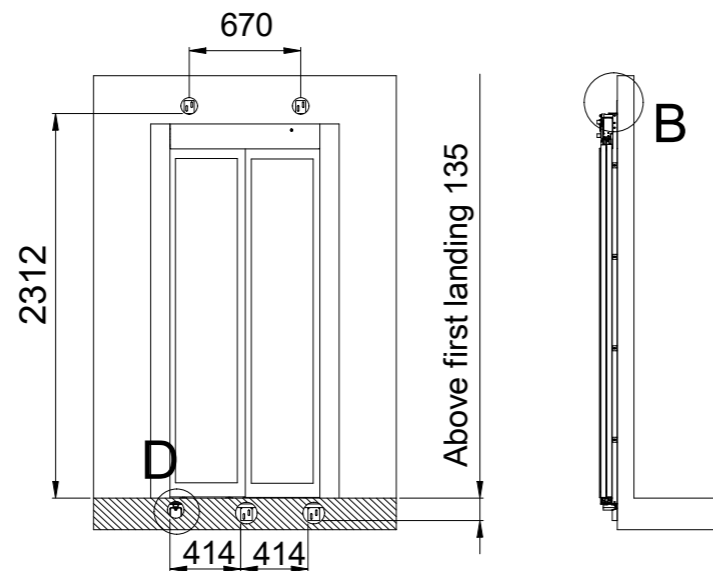
F<sub>2</sub>



Landing door fixing points. Number of fixing points: 5  
 Fixing points landing door F<sub>2</sub>: 1400 N



D ( 1:10 )



Approved by builder:

European view placement:



EOS ID

Tender no

Order no

Gen. Tolerances

SS-ISO 27681-1 m

**Principal drawing**  
 C1-Futura - 1100\*1700  
 Loads and forces

Date

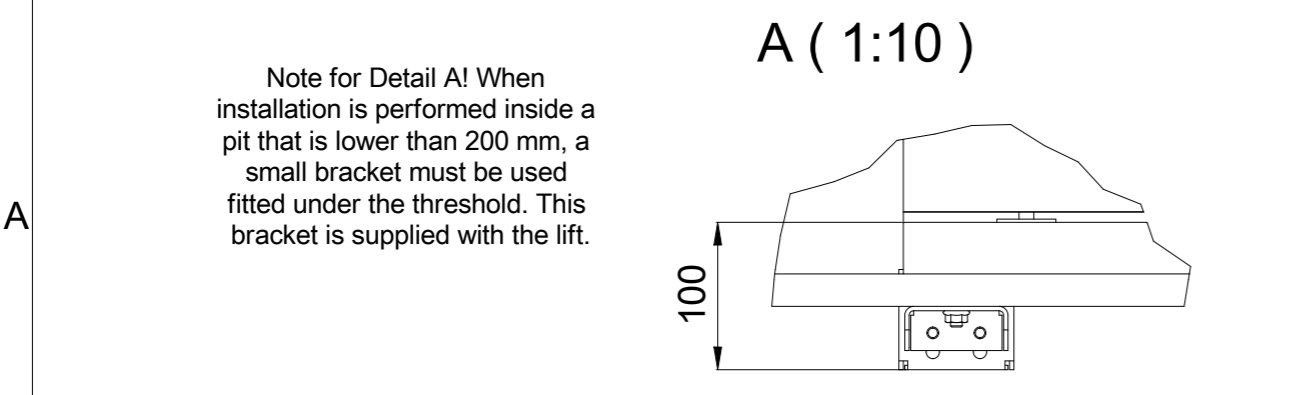
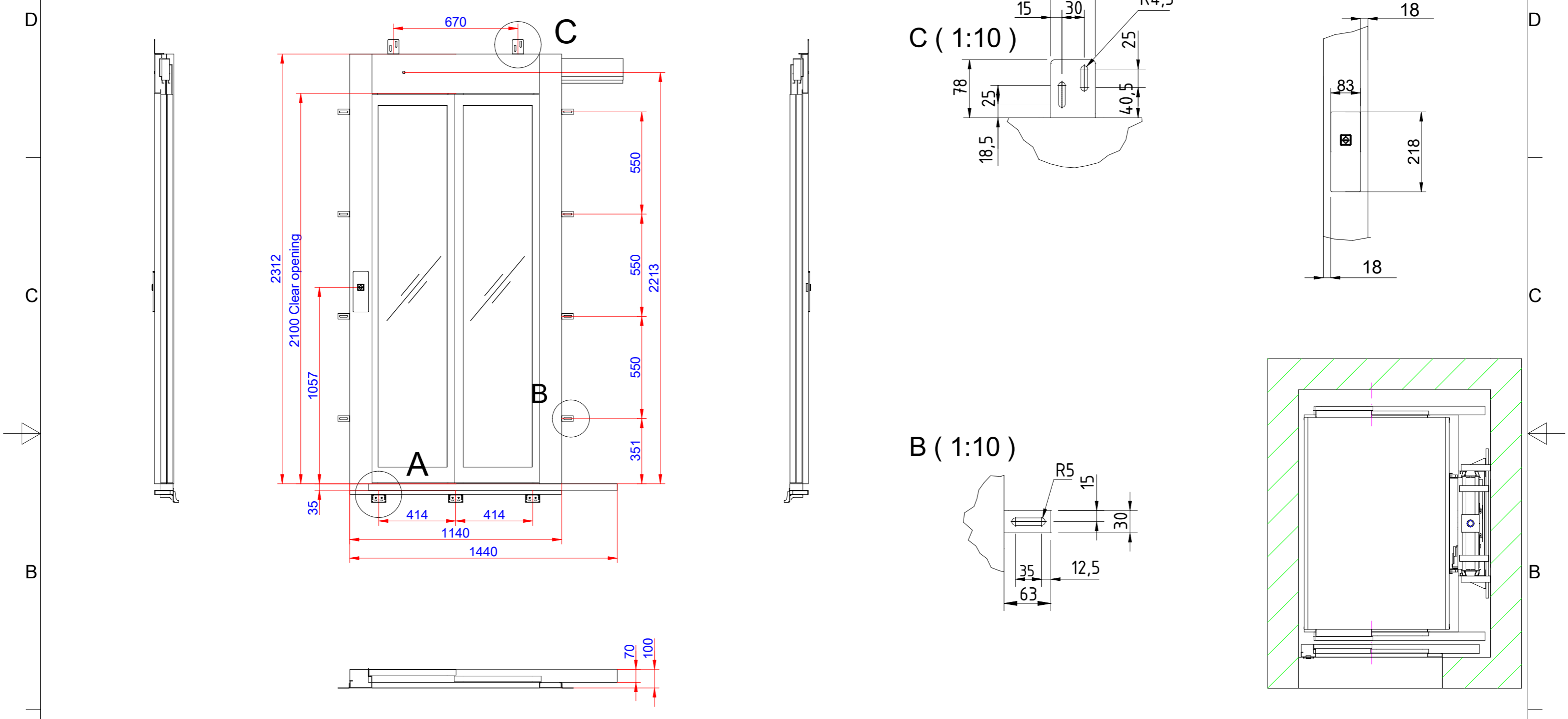
sheet

3 of 6

Scale:

A3, 1:1

Information for landing 0 and door(s) on landing



Note for Detail A! When installation is performed inside a pit that is lower than 200 mm, a small bracket must be used fitted under the threshold. This bracket is supplied with the lift.

Approved by builder:

\_\_\_\_\_

European view placement:

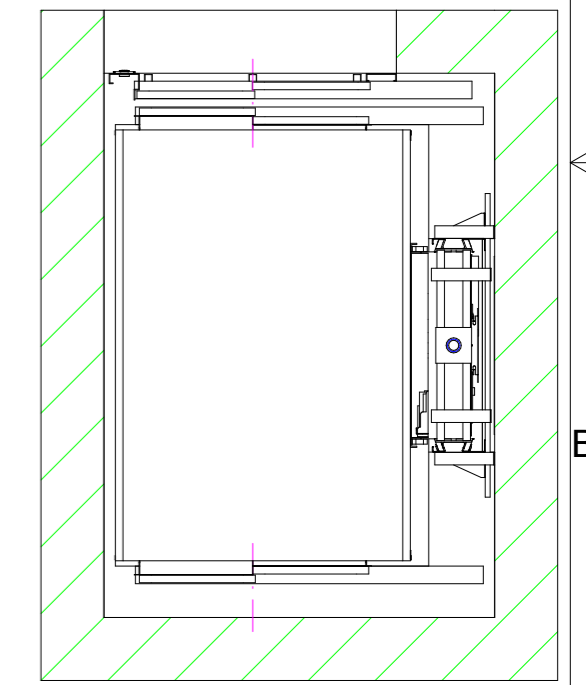
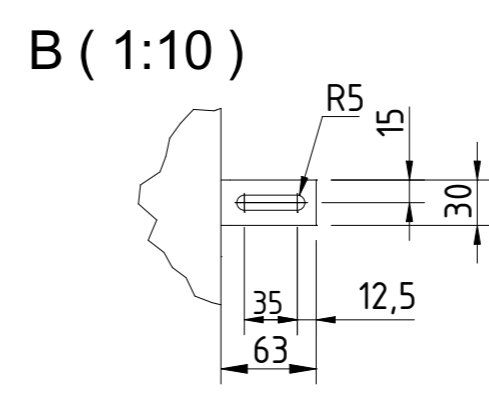
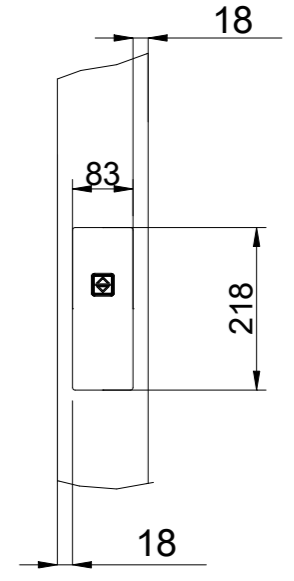
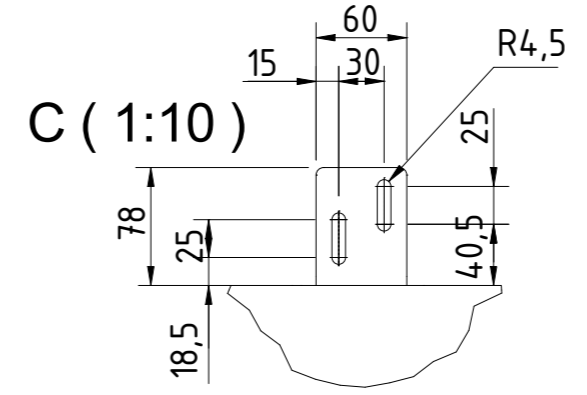
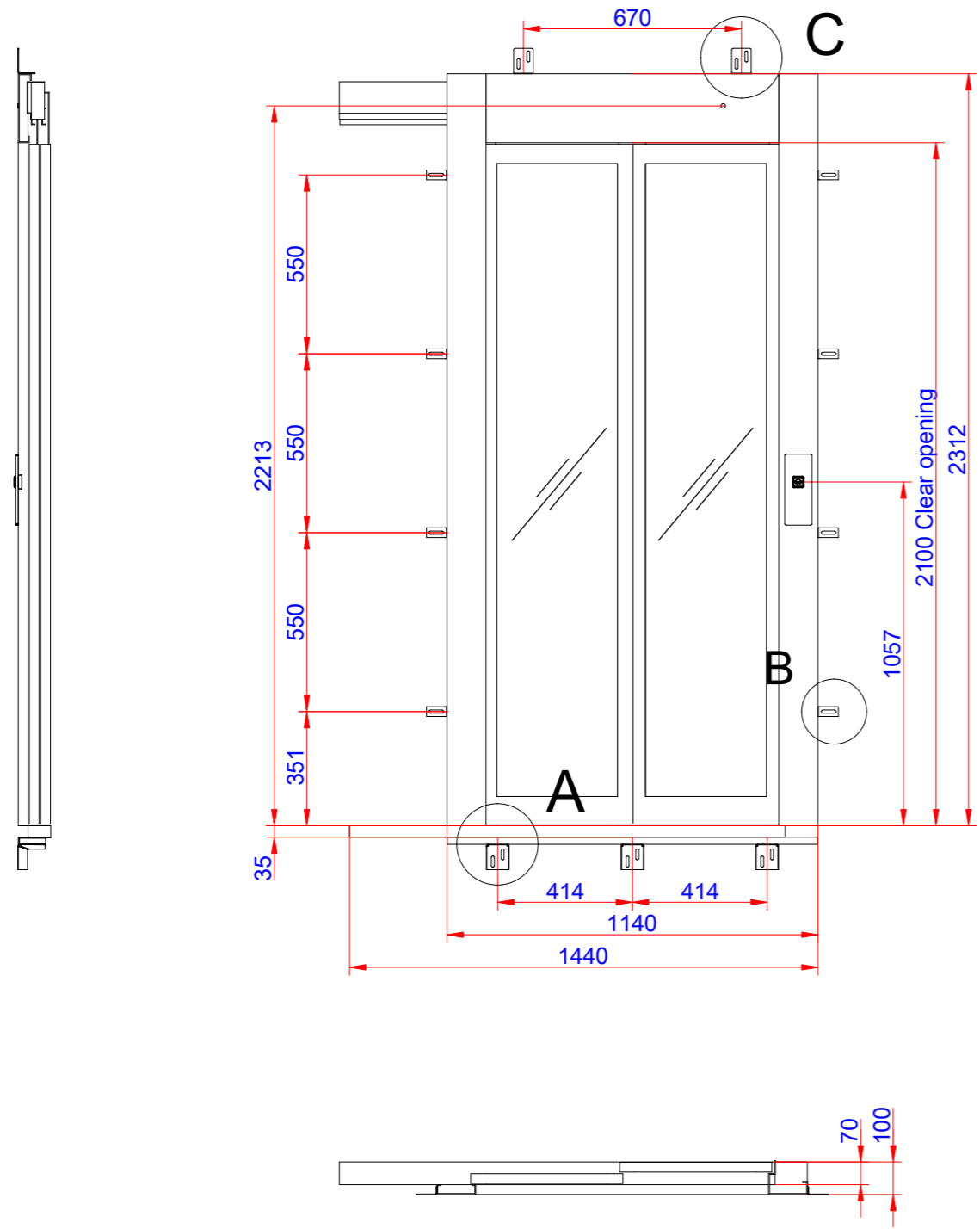


EOS ID		Principal drawing C1-Futura - 1100*1700 Landing information	
Tender no			
Order no			
Gen. Tolerances	Date	sheet	Scale:
SS-ISO 27681-1 m		4 of 6	A3, 1:1

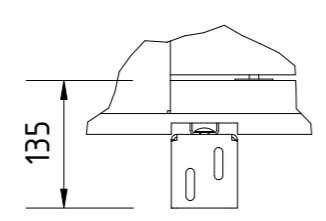
Information for landing 1 and door(s) on landing

D  
C  
B  
A

6 5 4 3 2 1



A ( 1:10 )



Approved by  
builder:  
\_\_\_\_\_

European view placement:



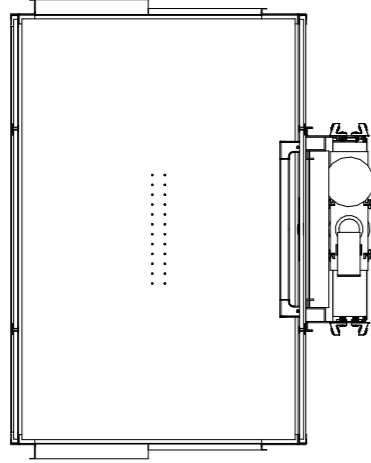
EOS ID		Principal drawing C1-Futura - 1100*1700 Landing information	
Tender no			
Order no			
Gen. Tolerances	Date	sheet	Scale:
SS-ISO 27681-1 m		5 of 6	A3, 1:1

6 5 4 3 2 1

European view placement:

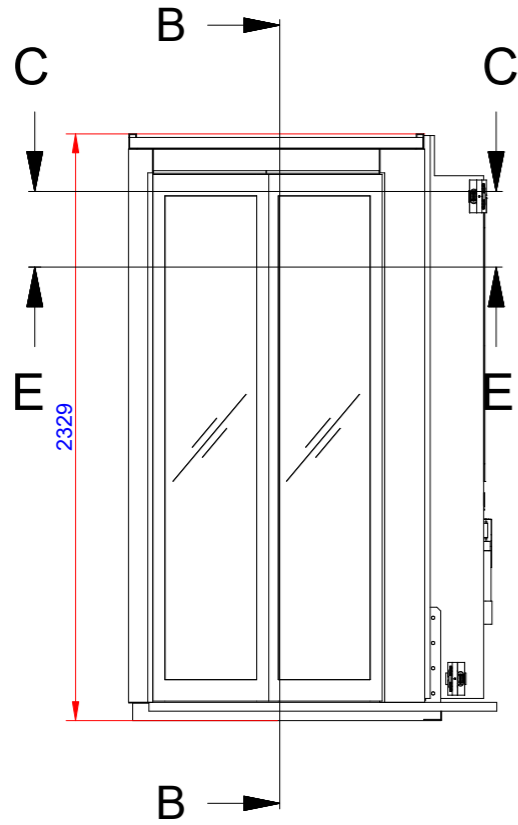
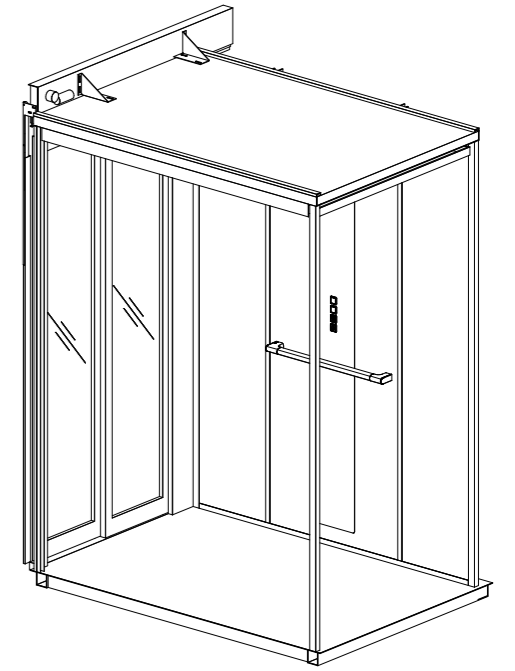
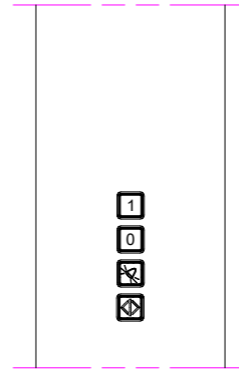
Cabin layout

E-E ( 1:30 )

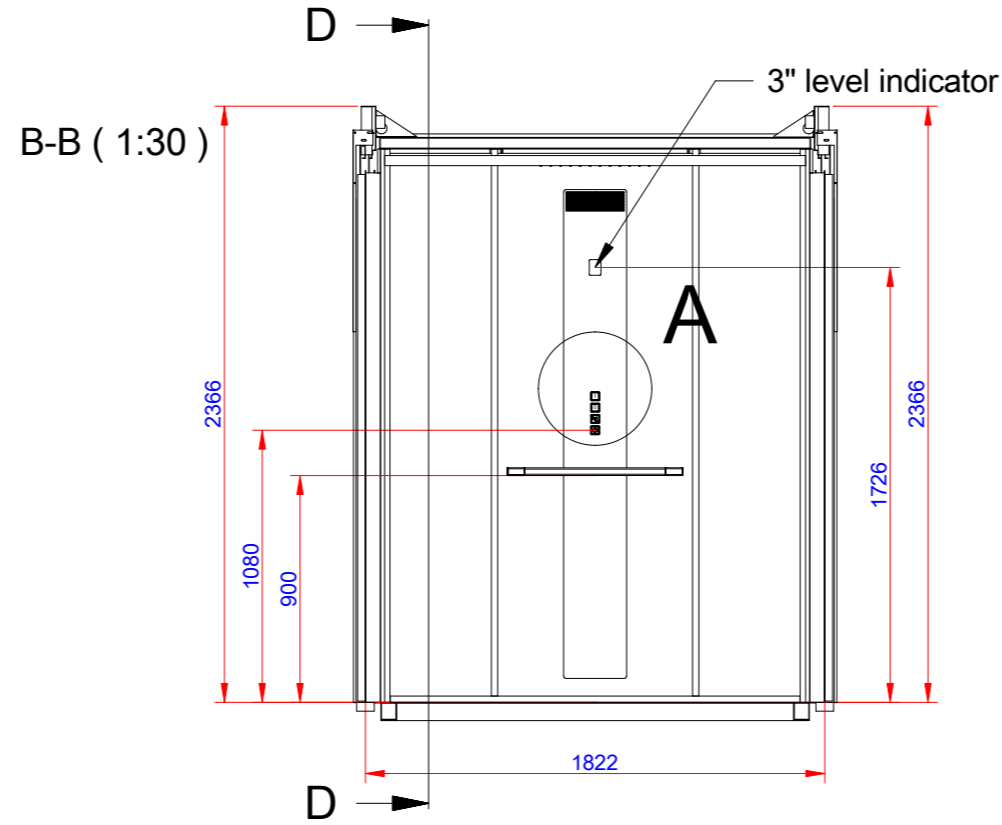


Button layout

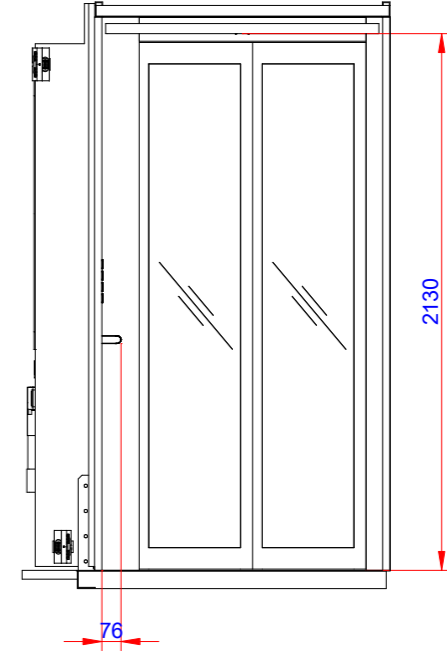
A ( 1:10 )



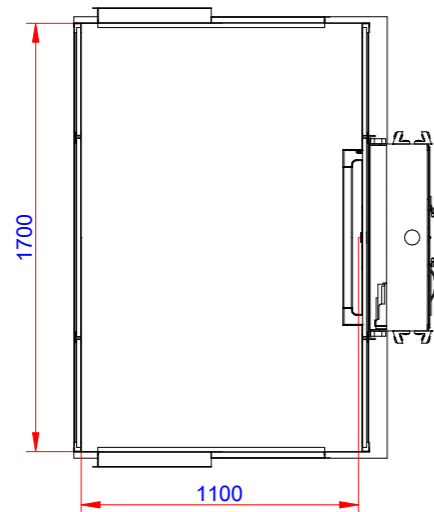
B-B ( 1:30 )



D-D ( 1:30 )



Cabin dimensions  
C-C ( 1:30 )



Approved by  
builder:

European view placement:



EOS ID

Tender no

Order no

Gen. Tolerances

SS-ISO 27681-1 m

Principal drawing  
C1-Futura - 1100\*1700  
Cabin layout

Date

sheet

6 of 6

Scale:

A3, 1:1