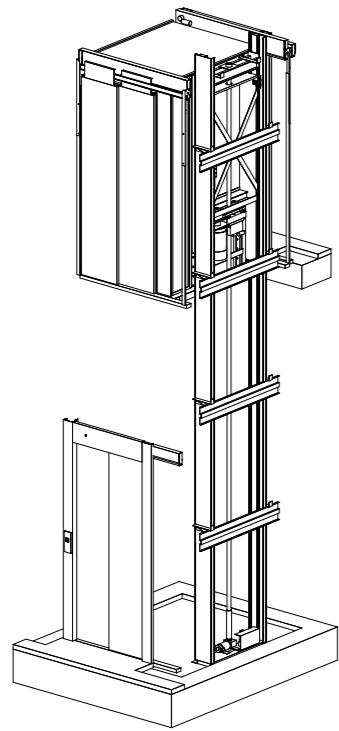
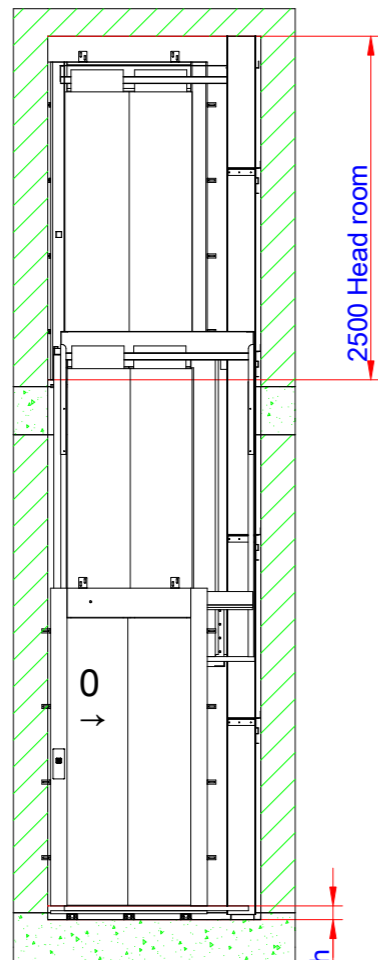
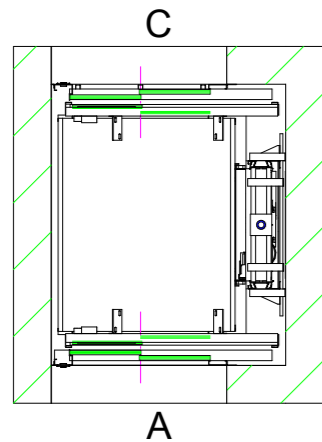


Lift overview

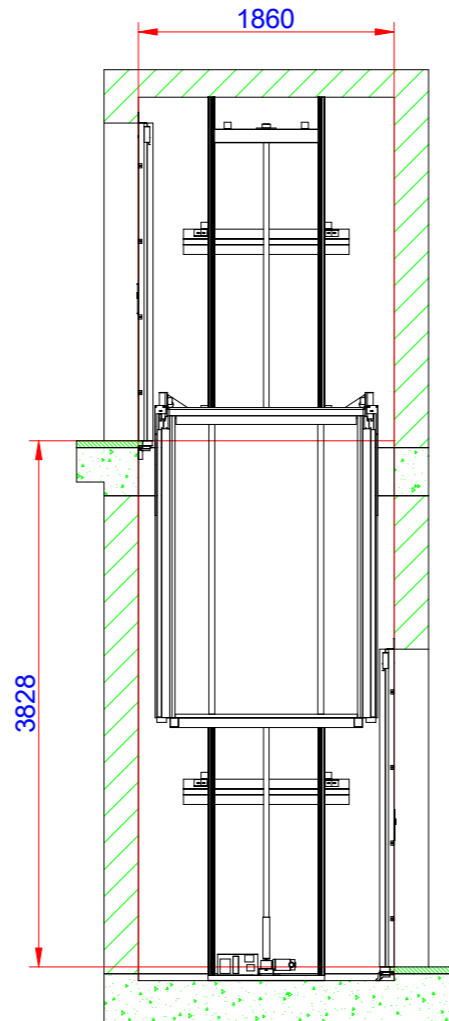
(Cutout dimension see sheet 2, forces see sheet 3
detailed installation information, see separate instructions)



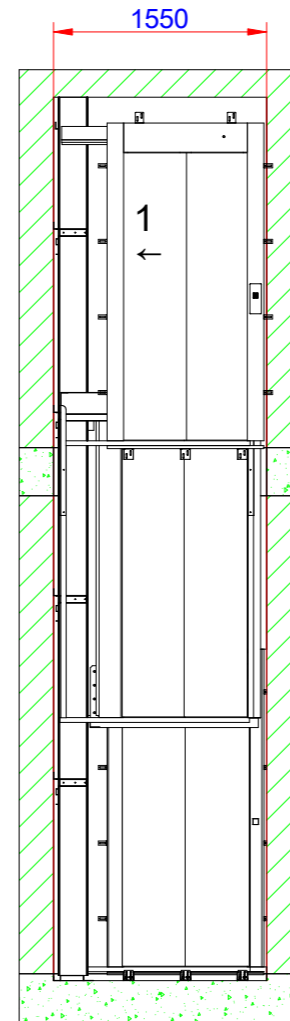
Positioning of machinery:



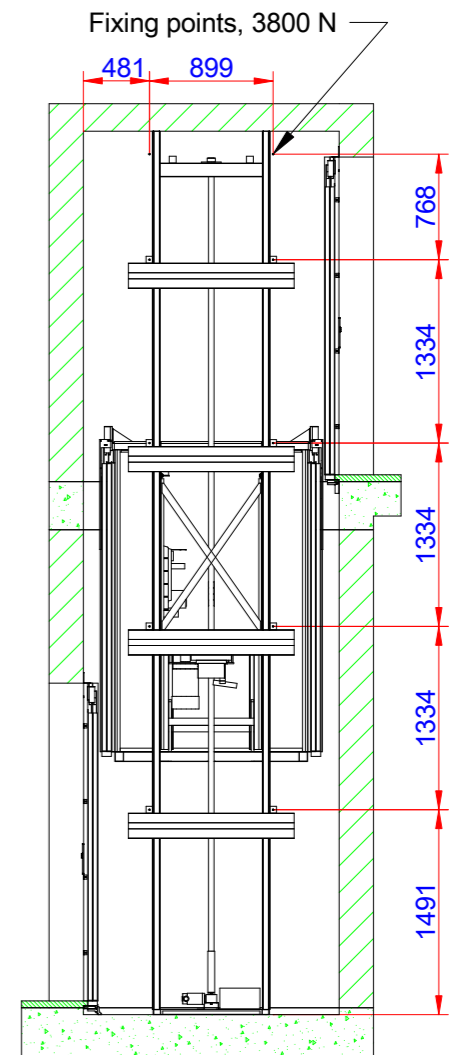
A



B



C



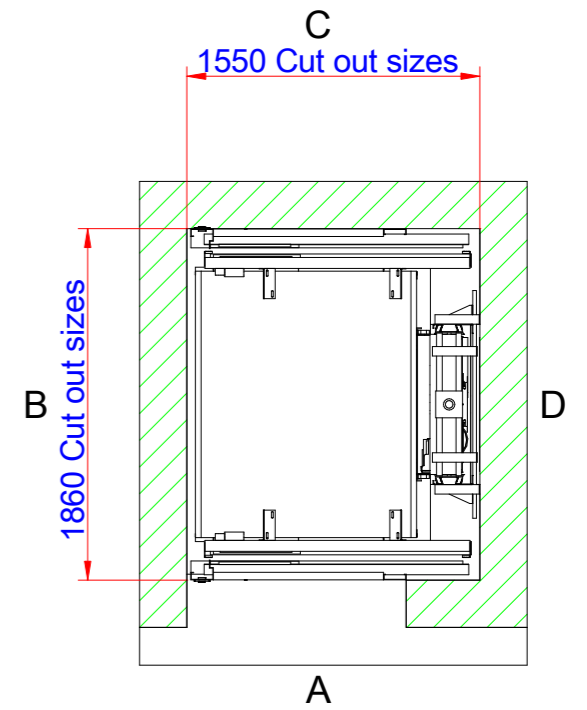
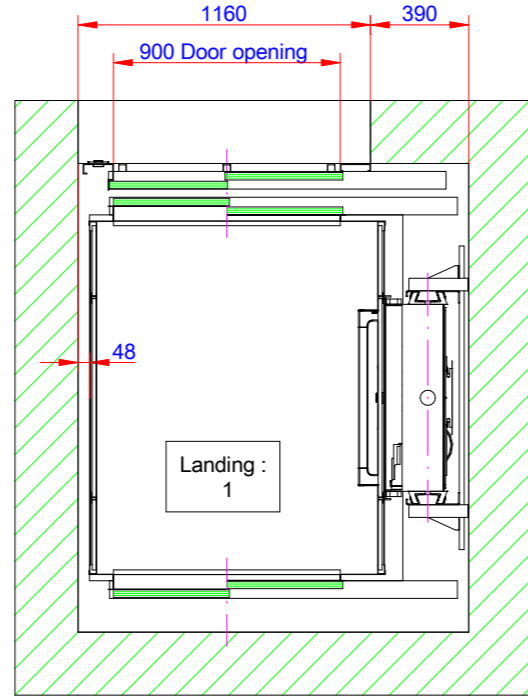
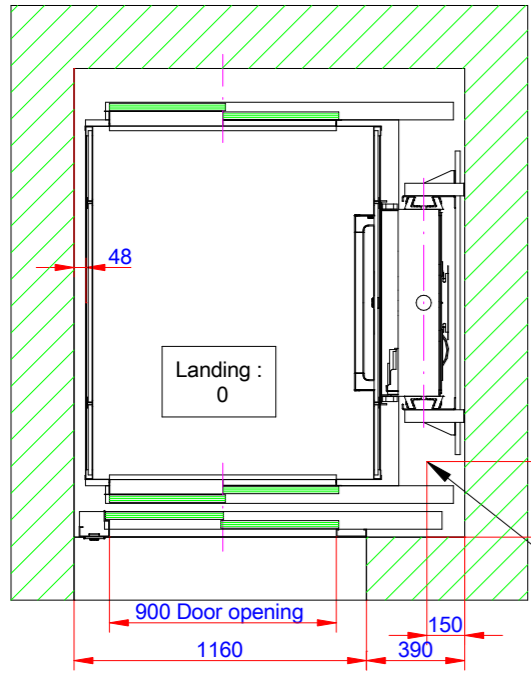
D

Lift unit installed within a shaft by others

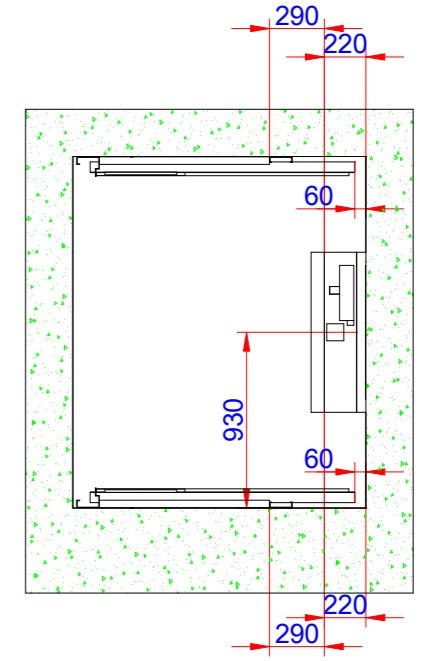
| | |
|--|----------------------------------|
| Specification 4 kW Frekv 3x400V 50-60 Hz Soft Capacity: 630,00 kg | Approved by builder: _____ |
| European view placement: | |

| | | | |
|------------------|-----------------------|--------|---------|
| EOS ID | Principal drawing | | |
| Tender no | C1-Futura - 1100*1400 | | |
| Order no | Lift overview | | |
| Gen. Tolerances | Date | sheet | Scale: |
| SS-ISO 27681-1 m | | 1 of 6 | A3, 1:1 |

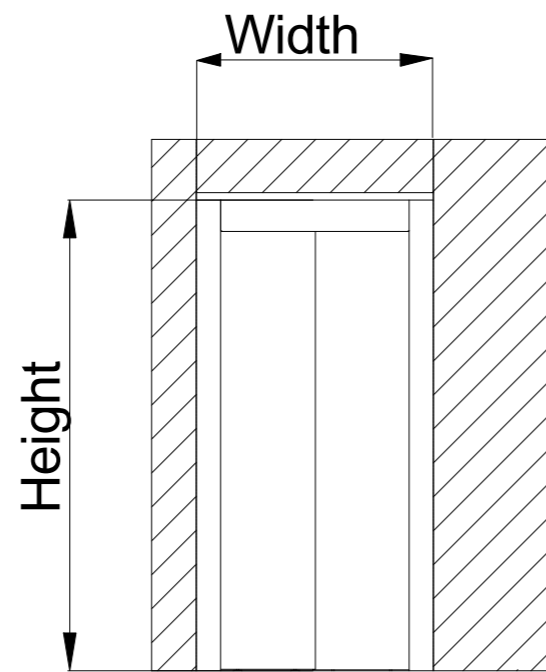
Cutout sizes for shaft and doors



100 mm pit depth + 10 mm, - 0 mm. Bottom surface must be flat



| Door front cutout sizes | | | |
|-------------------------|-----------|-------|--------|
| Landing | Door type | Width | Height |
| A 0 | CS0 | 1160 | 2300 |
| C 1 | CS0 | 1160 | 2300 |



Door cut out

Approved by builder:

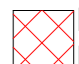



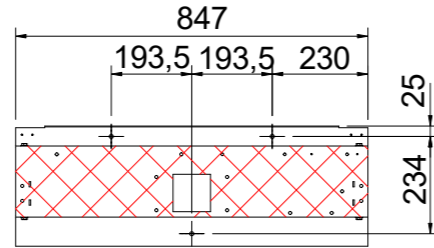
European view placement:

| | | | |
|------------------|------|---|---------|
| EOS ID | | Principal drawing C1-Futura - 1100*1400 Cut out sizes | |
| Tender no | | | |
| Order no | | | |
| Gen. Tolerances | Date | sheet | Scale: |
| SS-ISO 27681-1 m | | 2 of 6 | A3, 1:1 |

Loads and forces in pit and on fixing points

Loads sustained by shaft and platform and fixing points bottom frame

 Mast load: 62,42 kN/m²
 Mast force: 13,42 kN
 Weight on mast area: 1342



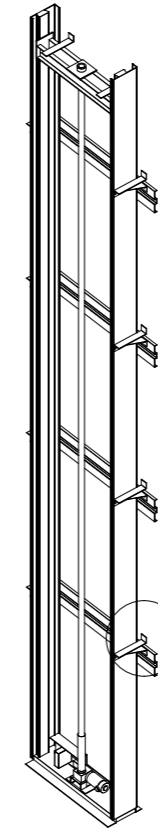
Scale: 1:20

Fixing points guiderail

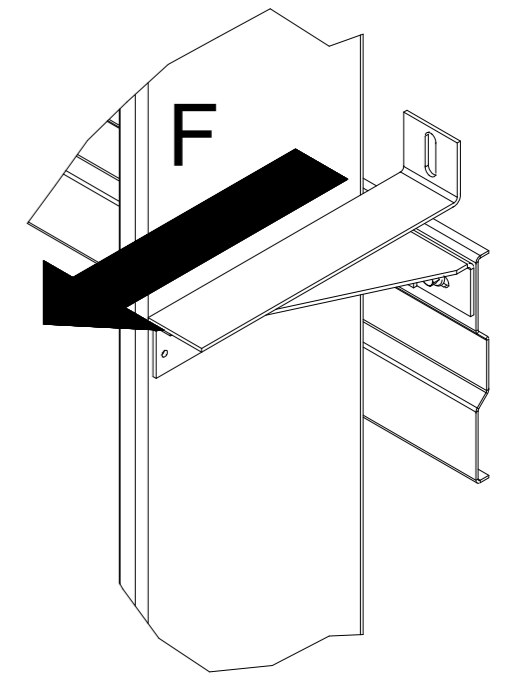
Forces:
Fixing points shaft F: 3800 N

Recommended positioning of fixing points, general view

A (1:5)



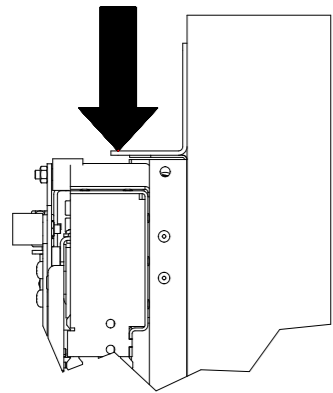
Scale: 1:50



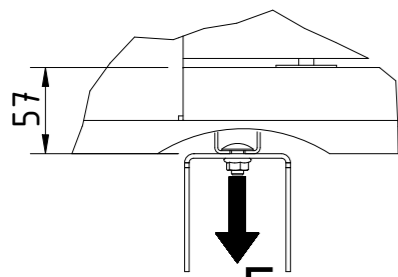
Fixing points Shaft Doors

B (1:10)

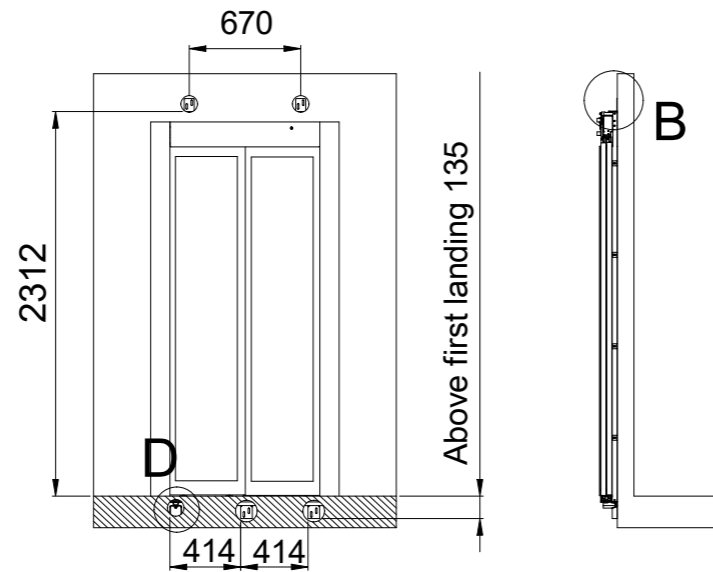
F₂



Landing door fixing points. Number of fixing points: 5
Fixing points landing door F₂: 1400 N



D (1:10)



B

Above first landing 135

Approved by
builder:

European view placement:



EOS ID

Tender no

Order no

Gen. Tolerances

SS-ISO 27681-1 m

Principal drawing
C1-Futura - 1100*1400
Loads and forces

Date

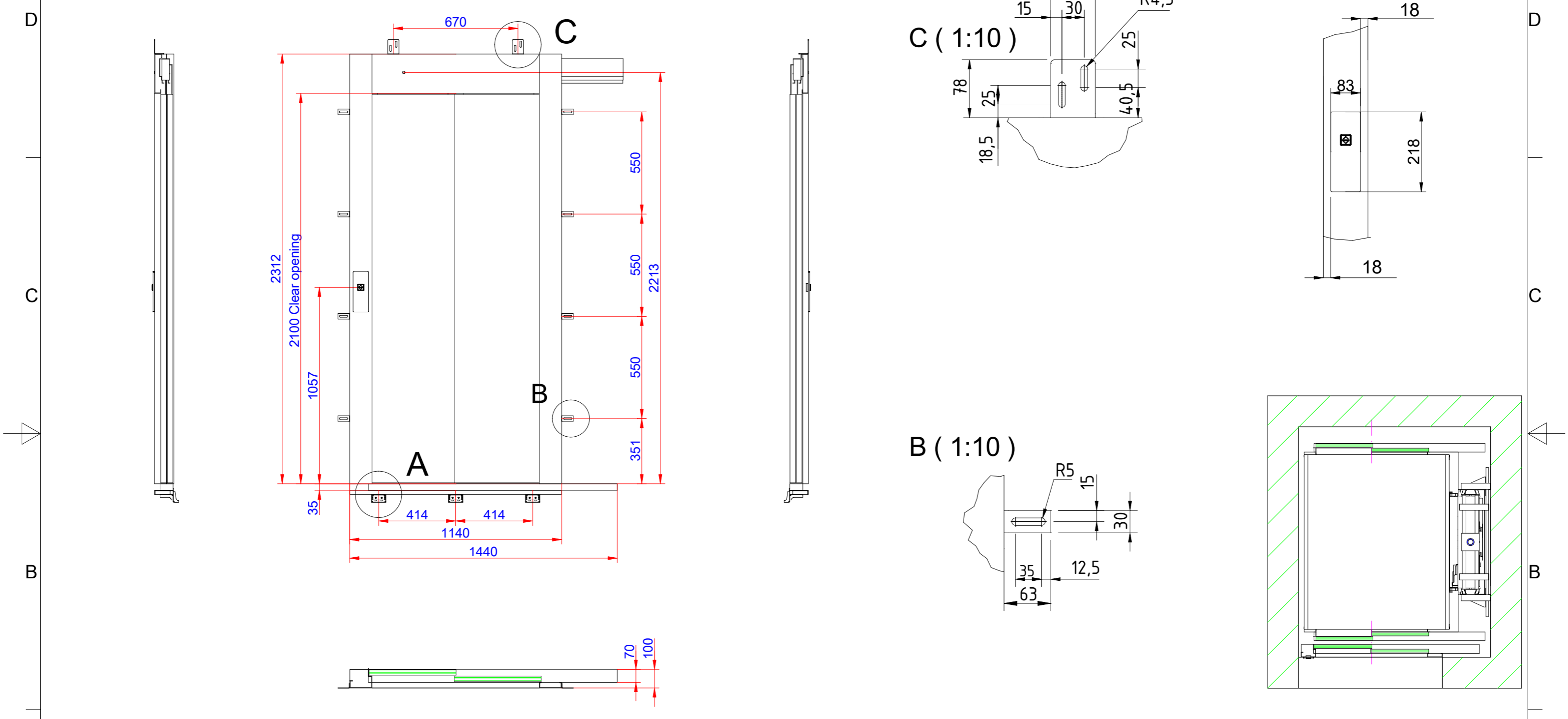
sheet

3 of 6

Scale:

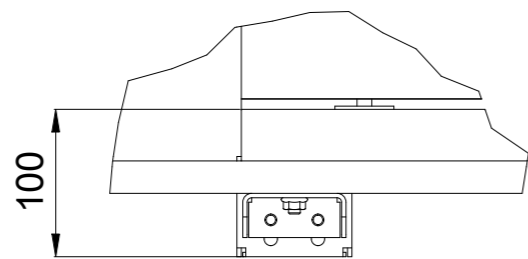
A3, 1:1

Information for landing 0 and door(s) on landing

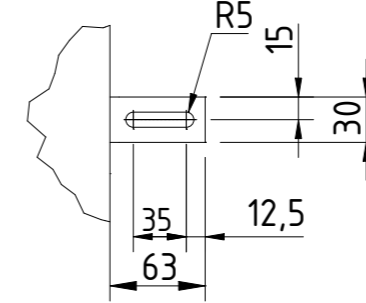


Note for Detail A! When installation is performed inside a pit that is lower than 200 mm, a small bracket must be used fitted under the threshold. This bracket is supplied with the lift.

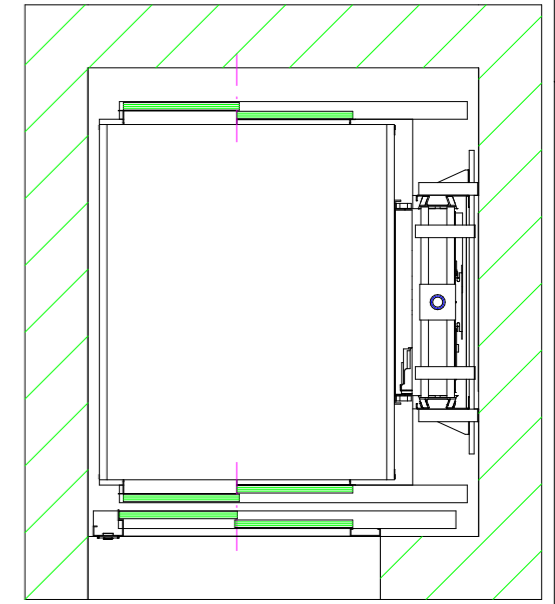
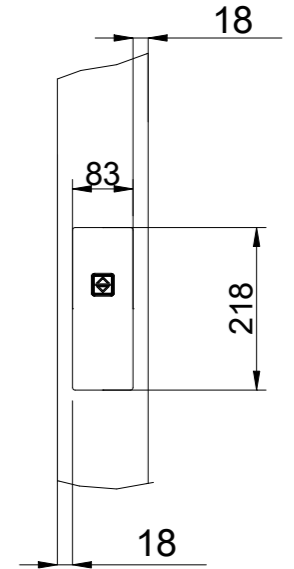
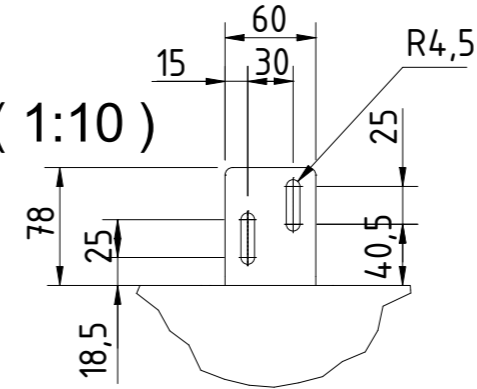
A (1:10)



B (1:10)



C (1:10)



Approved by builder:

European view placement:



| | |
|-----------------|------------------|
| EOS ID | |
| Tender no | |
| Order no | |
| Gen. Tolerances | SS-ISO 27681-1 m |

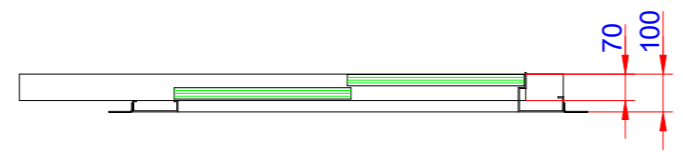
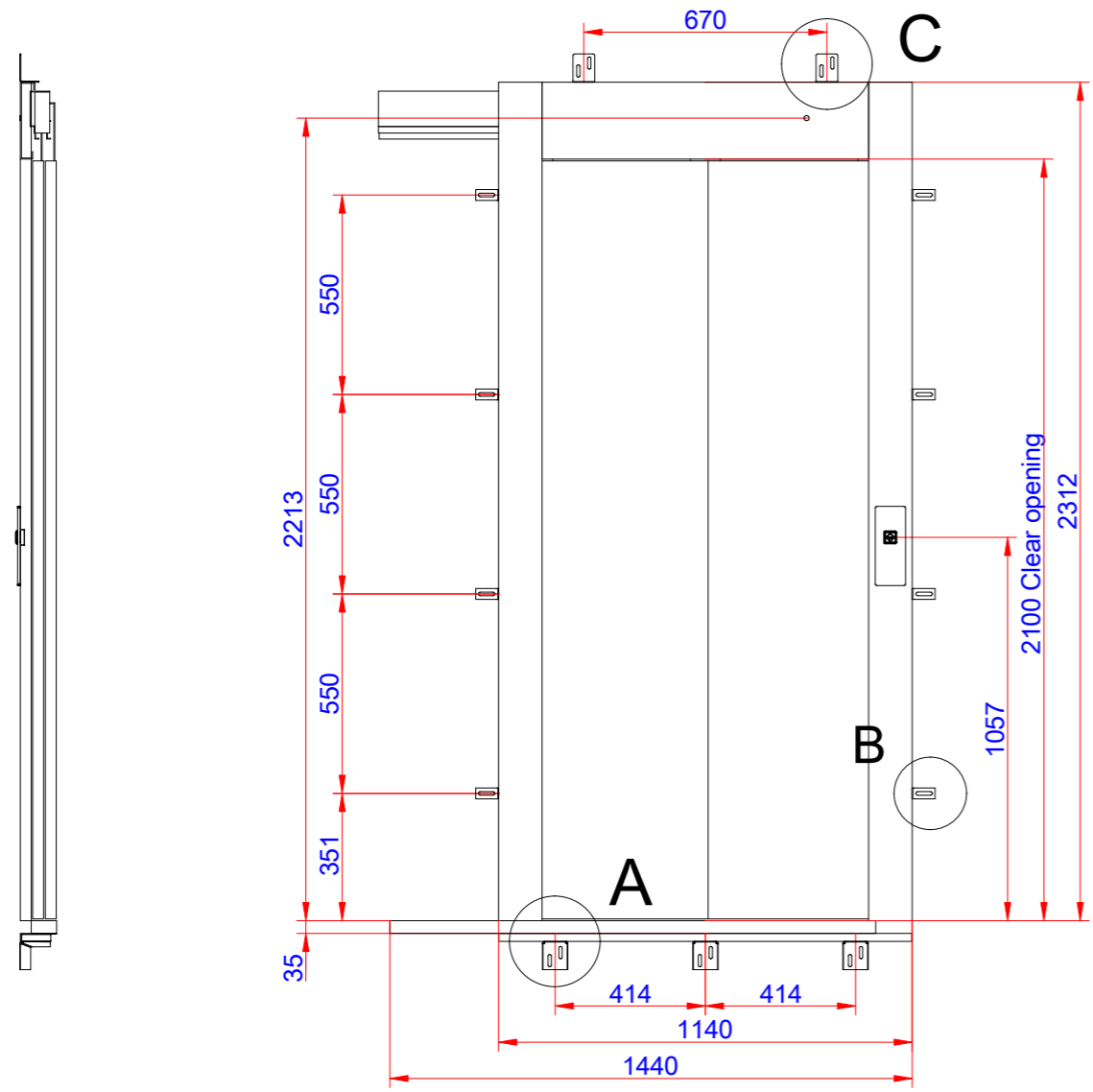
Principal drawing
C1-Futura - 1100*1400
Landing information

| | | |
|------|--------|---------|
| Date | sheet | Scale: |
| | 4 of 6 | A3, 1:1 |

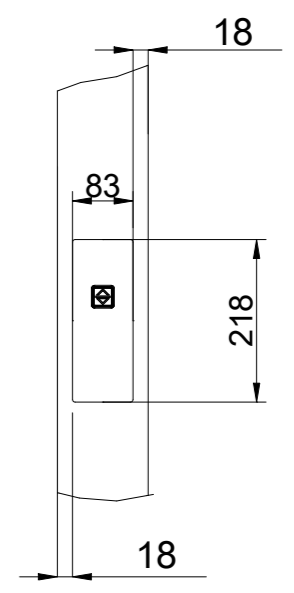
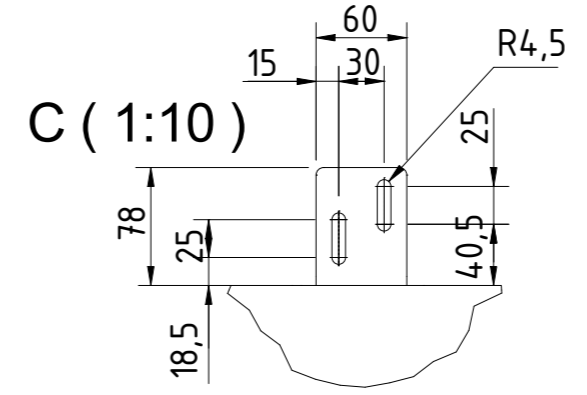
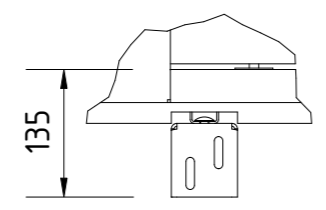
Information for landing 1 and door(s) on landing

D
C
B
A

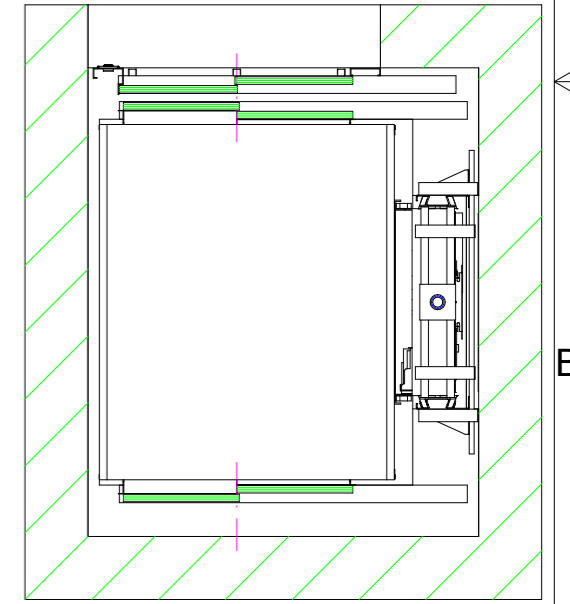
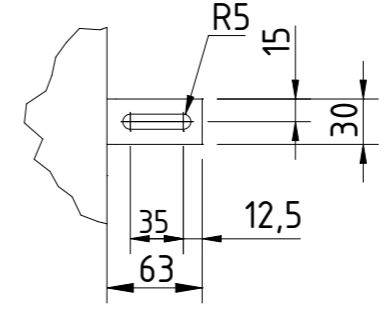
6 5 4 3 2 1



A (1:10)



B (1:10)



D
C
B
A

6 5 4 3 2 1

Approved by
builder:

European view placement:



EOS ID
Tender no
Order no

Principal drawing
C1-Futura - 1100*1400
Landing information

Gen. Tolerances
SS-ISO 27681-1 m

Date

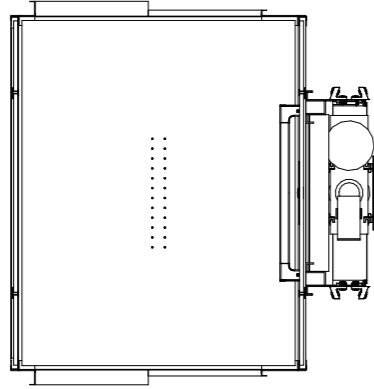
sheet
5 of 6

Scale:
A3, 1:1

A

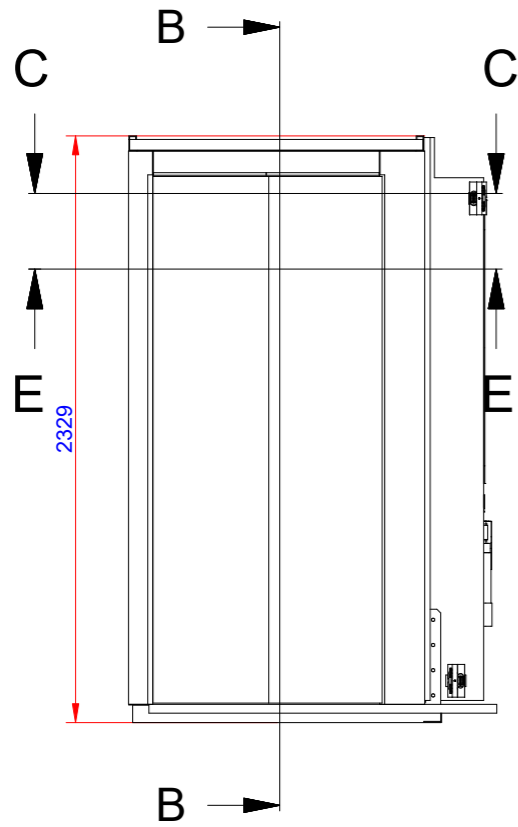
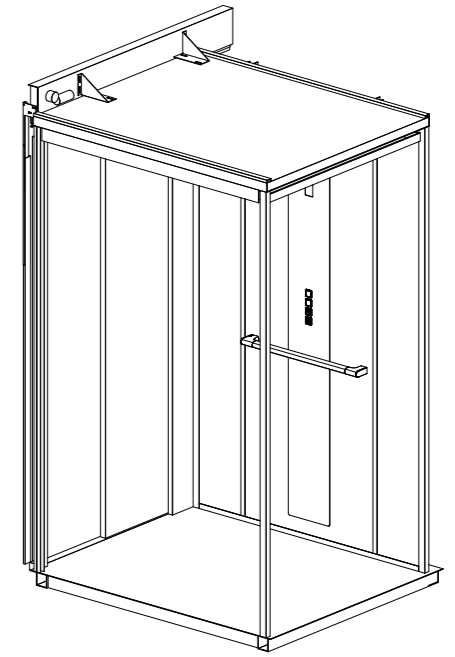
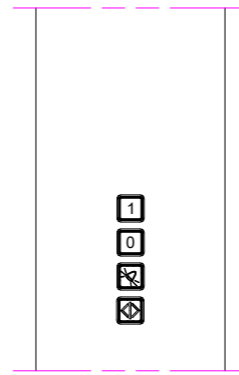
Cabin layout

E-E (1:30)

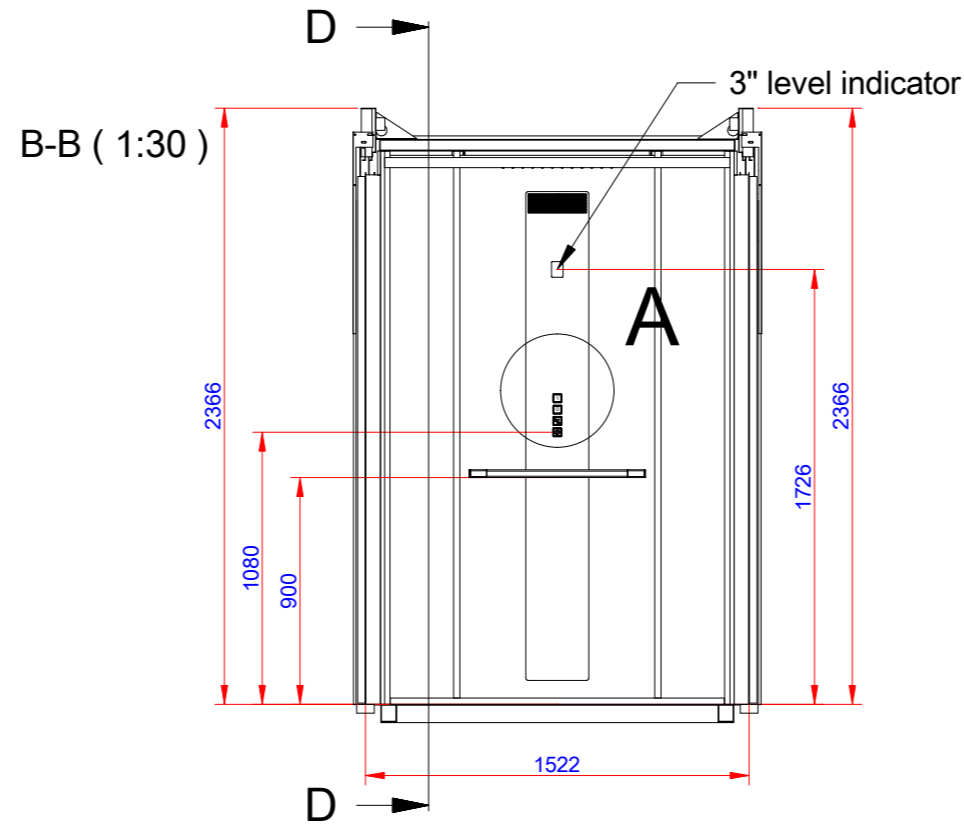


Button layout

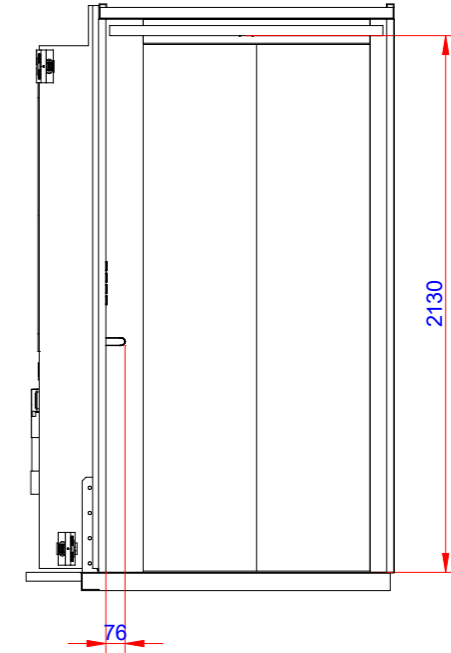
A (1:10)



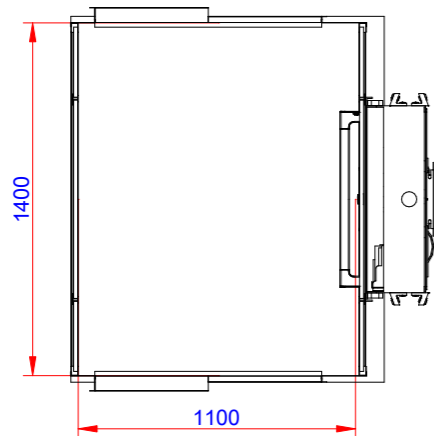
B-B (1:30)



D-D (1:30)



Cabin dimensions
C-C (1:30)



Approved by
builder:

European view placement:



EOS ID

Tender no

Order no

Gen. Tolerances

SS-ISO 27681-1 m

Principal drawing
C1-Futura - 1100*1400
Cabin layout

Date

sheet

6 of 6

Scale:

A3, 1:1