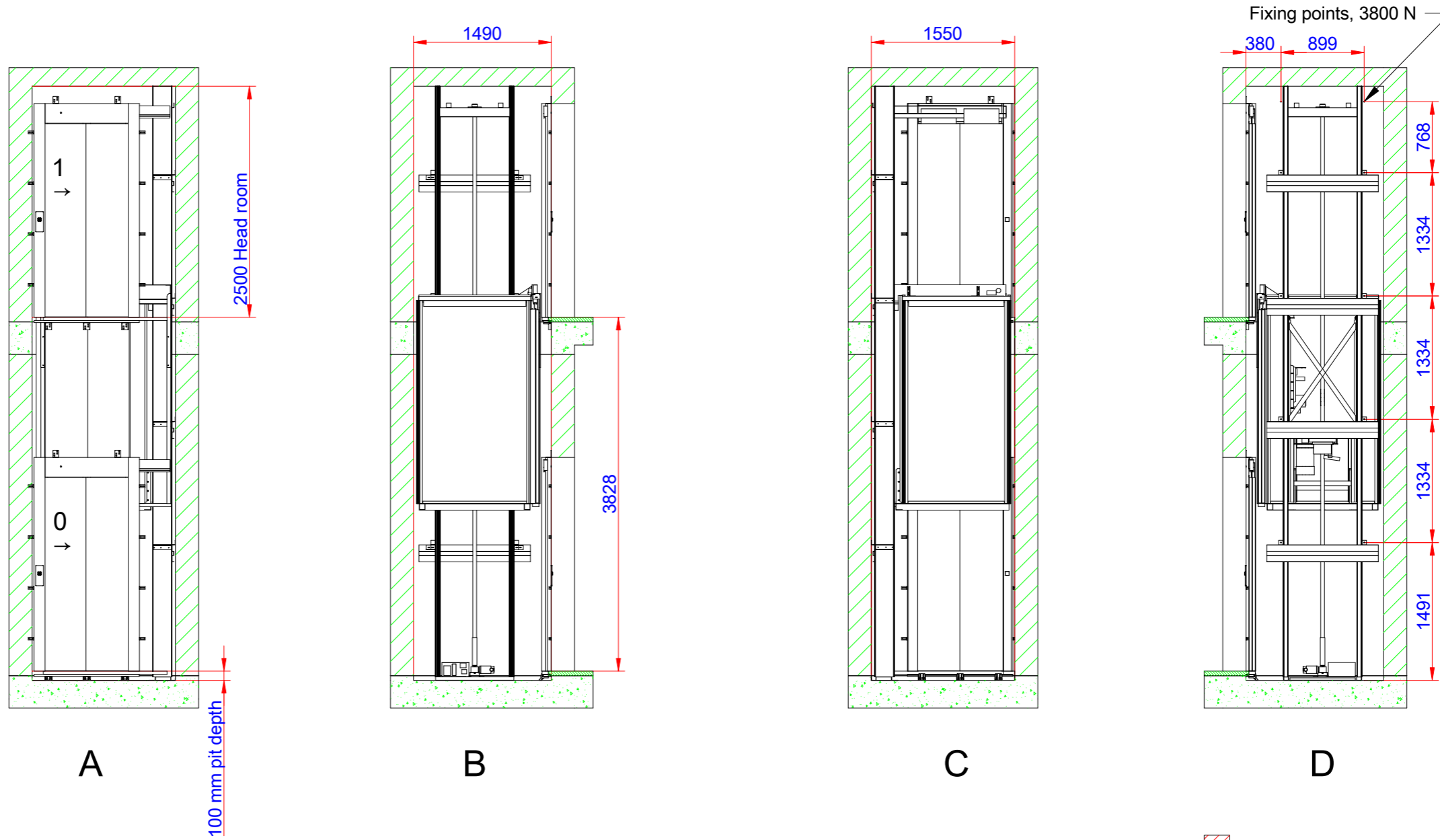
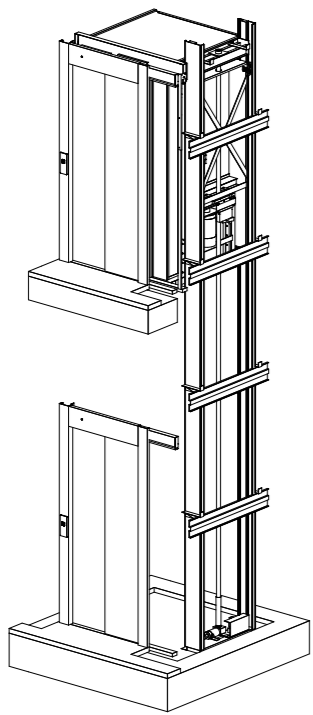


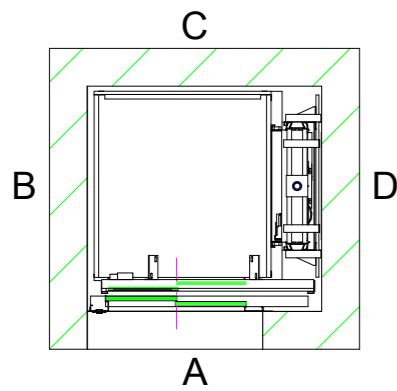
Lift overview

(Cutout dimension see sheet 2, forces see sheet 3
detailed installation information, see separate instructions)



Lift unit installed within a shaft by others

Positioning of machinery:



Specification
4 kW Frekv 3x400V 50-60 Hz Soft
Capacity: 525,00 kg

Approved by
builder:

European view placement:



EOS ID

Tender no

Order no

Gen. Tolerances

SS-ISO 27681-1 m

Principal drawing
C1-Futura - 1100*1200
Lift overview

Date

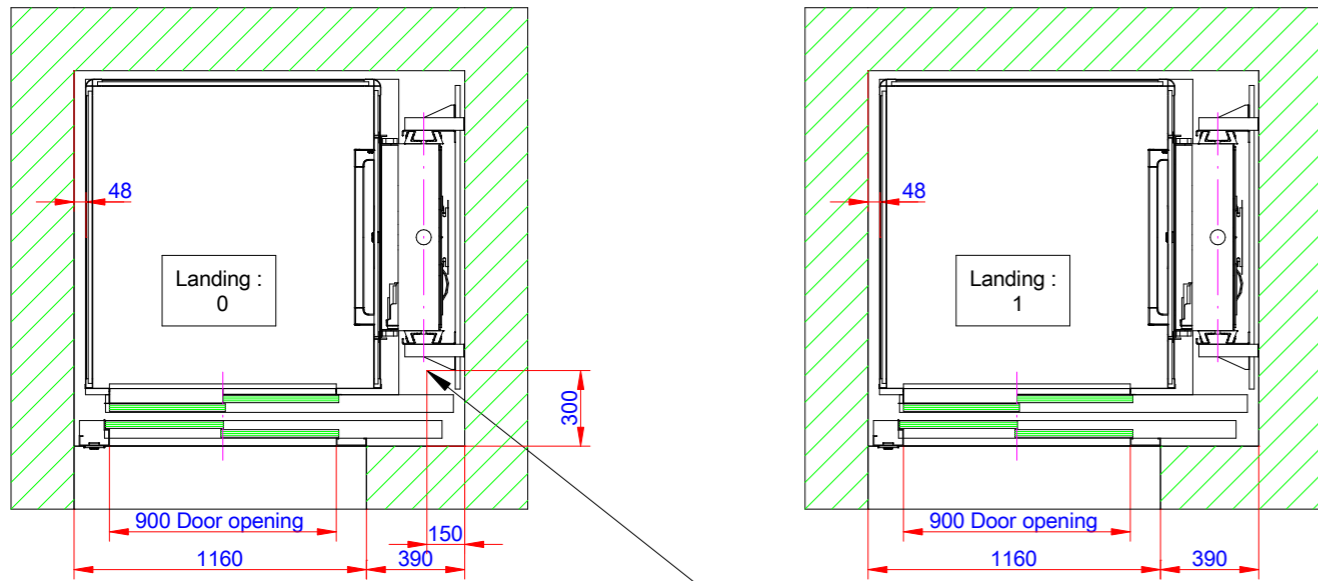
sheet

1 of 6

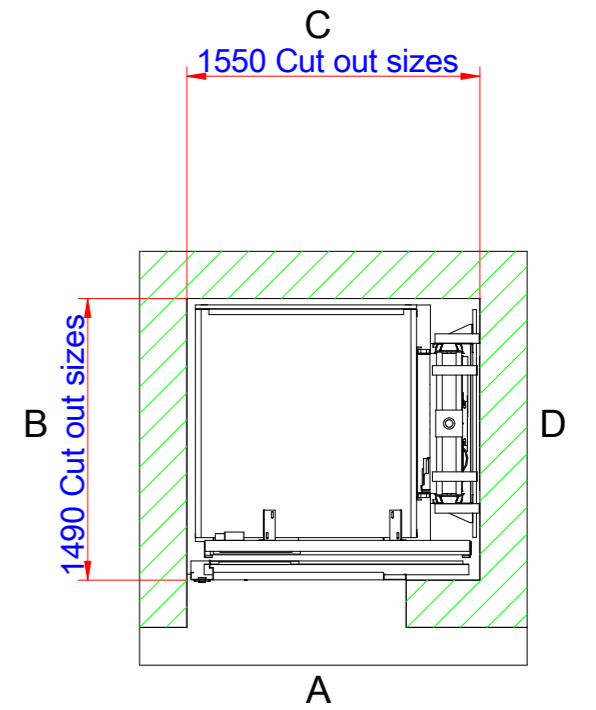
Scale:

A3, 1:1

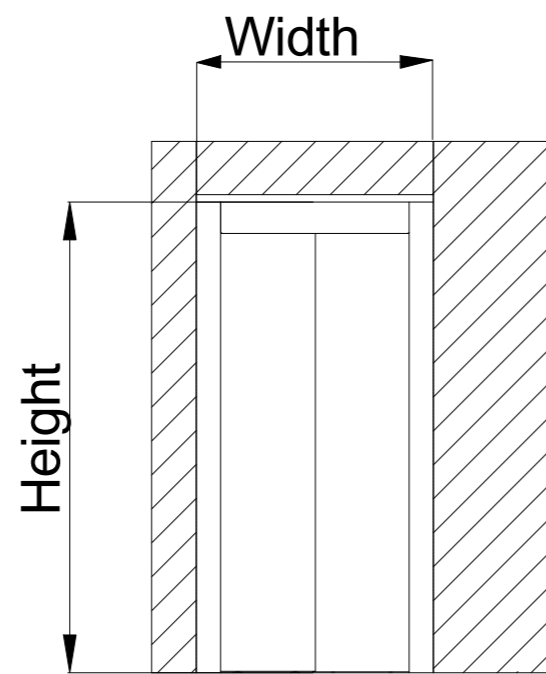
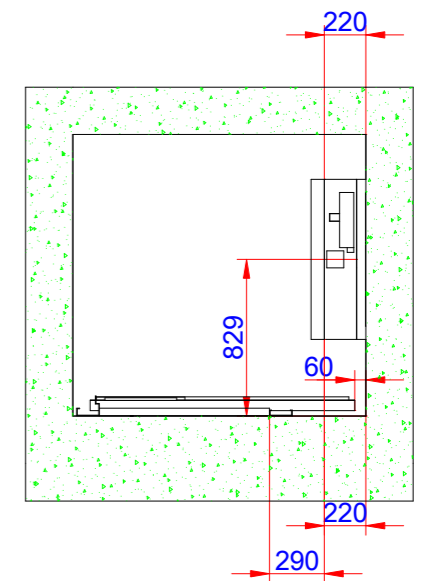
Cutout sizes for shaft and doors



Power supply & telephone cable connection point



100 mm pit depth + 10 mm, - 0 mm. Bottom surface must be flat



Door front cutout sizes			
Landing	Door type	Width	Height
A 0	CS0	1160	2300
A 1	CS0	1160	2300

Approved by builder:

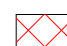

European view placement:

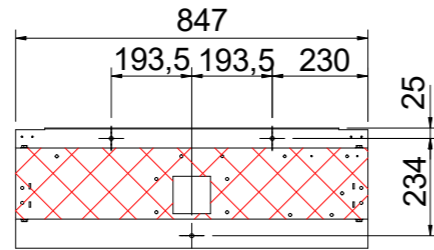


EOS ID		Principal drawing C1-Futura - 1100*1200 Cut out sizes	
Tender no			
Order no			
Gen. Tolerances	Date	sheet	Scale:
SS-ISO 27681-1 m		2 of 6	A3, 1:1

Loads and forces in pit and on fixing points

Loads sustained by shaft and platform and fixing points bottom frame

 Mast load: 54,98 kN/m²
 Mast force: 11,82 kN
 Weight on mast area: 1182



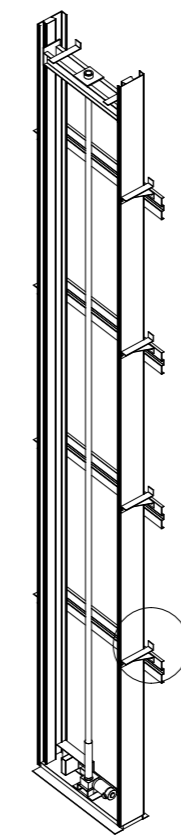
Scale: 1:20

Fixing points guiderail

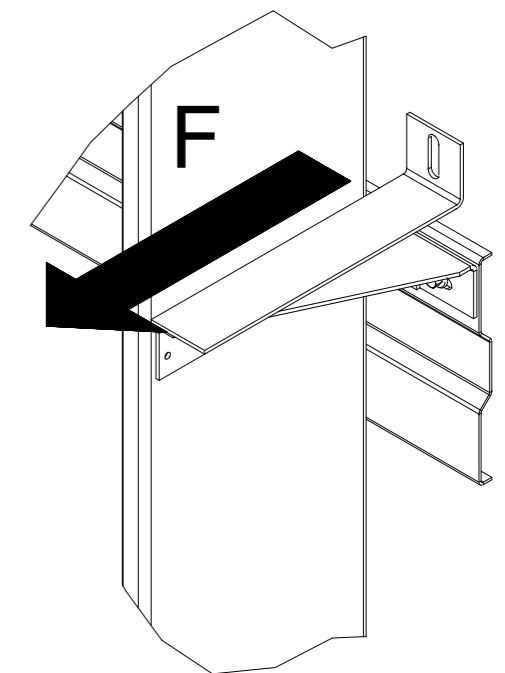
Forces:
Fixing points shaft F: 3800 N

Recommended positioning of fixing points, general view

A (1:5)

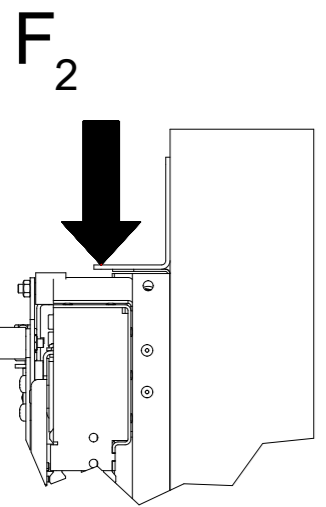


Scale: 1:50

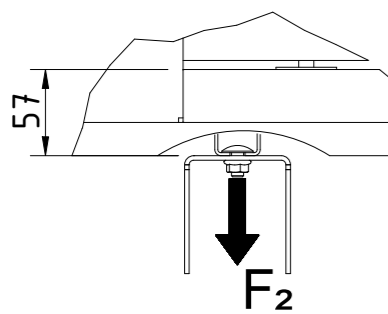


Fixing points Shaft Doors

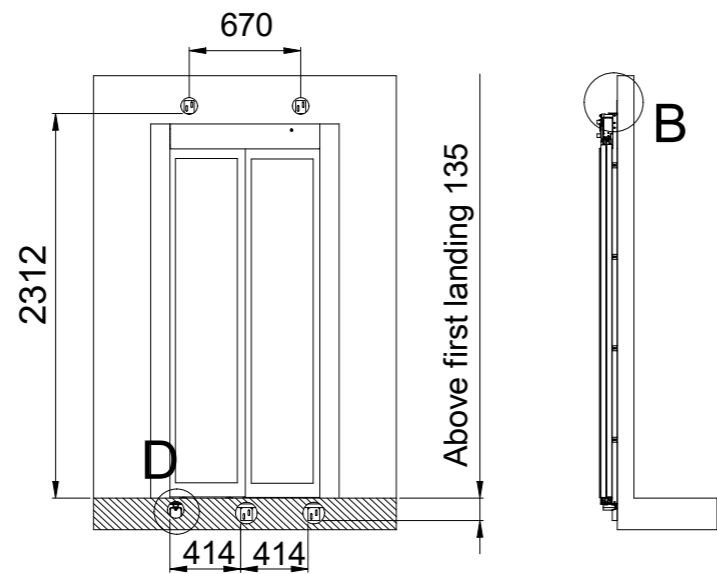
B (1:10)



Landing door fixing points. Number of fixing points: 5
Fixing points landing door F₂: 1400 N




D (1:10)



Above first landing 135

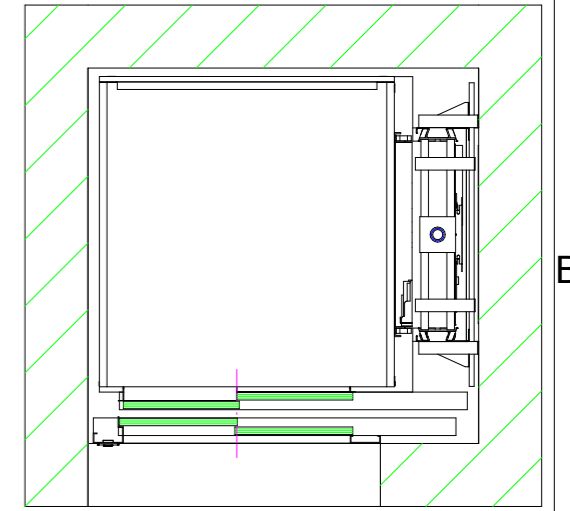
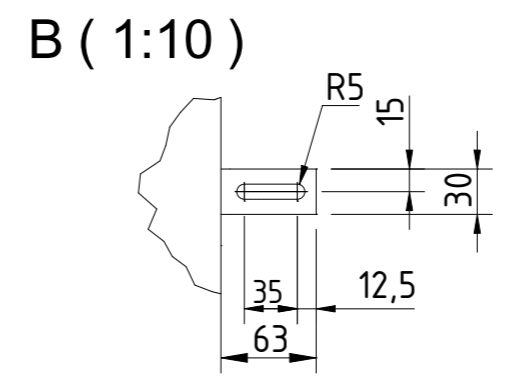
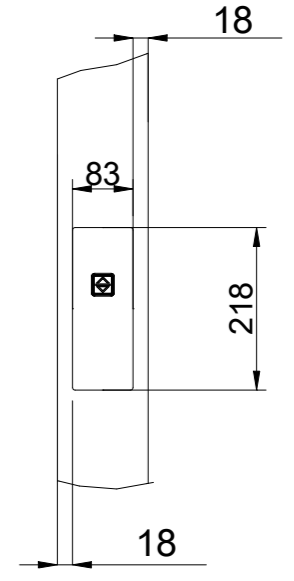
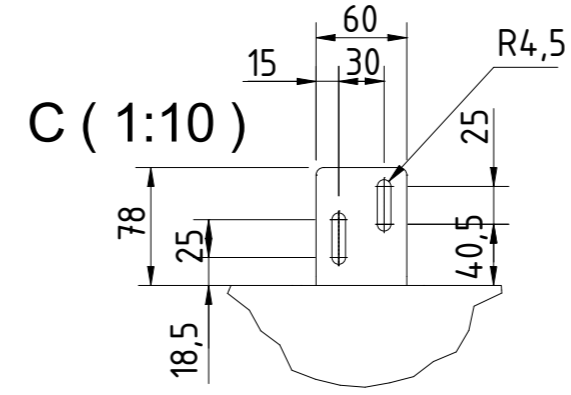
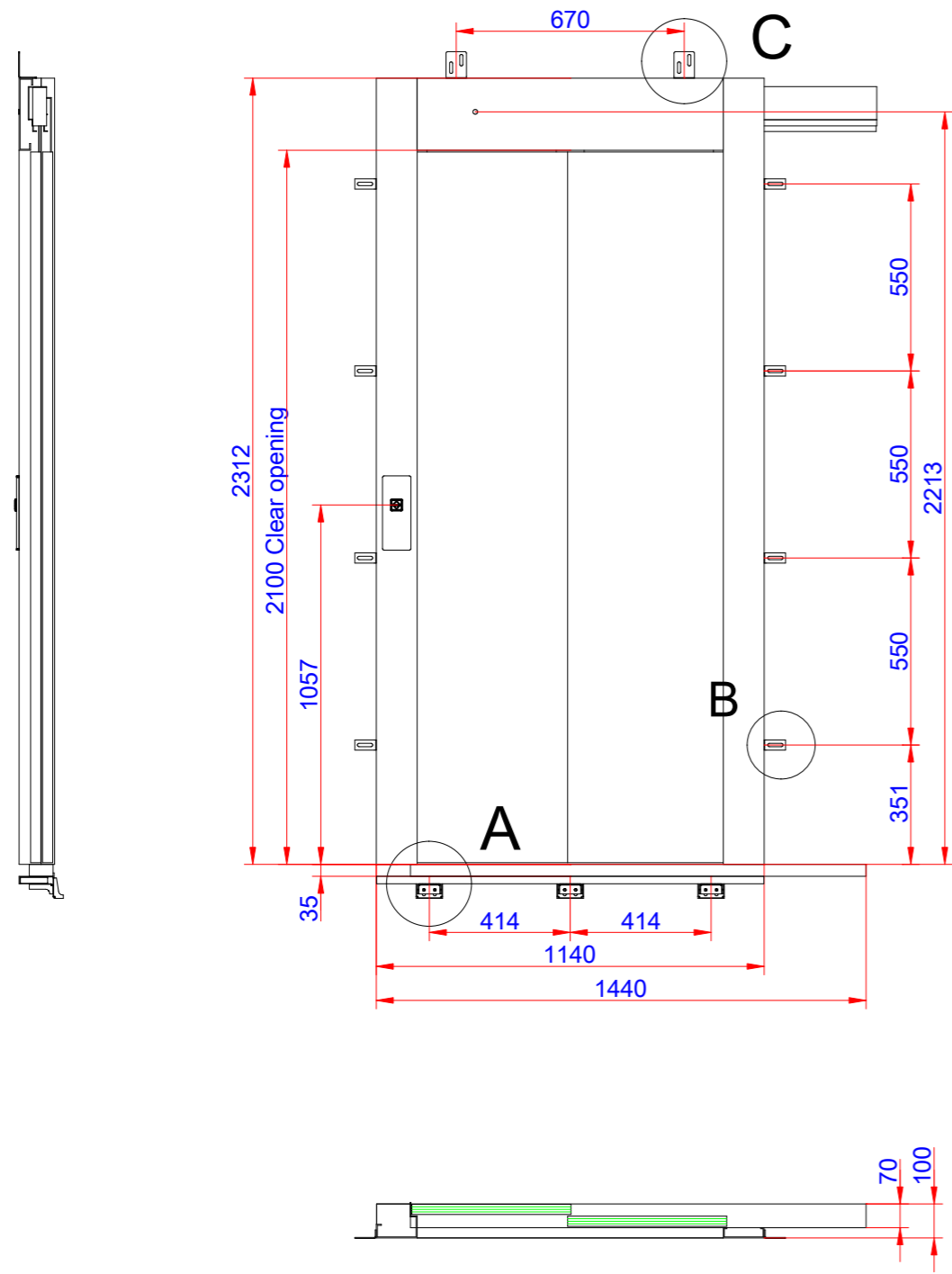
Approved by builder:

European view placement: 

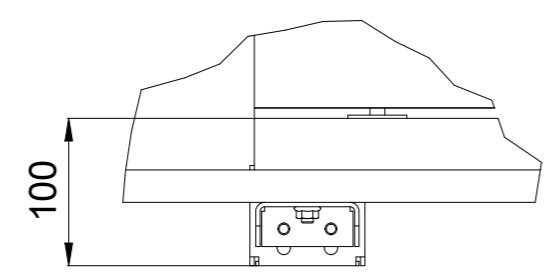


EOS ID		Principal drawing C1-Futura - 1100*1200 Loads and forces	
Tender no			
Order no			
Gen. Tolerances	Date	sheet	Scale:
SS-ISO 27681-1 m		3 of 6	A3, 1:1

Information for landing 0 and door(s) on landing



A (1:10)



Note for Detail A! When installation is performed inside a pit that is lower than 200 mm, a small bracket must be used fitted under the threshold. This bracket is supplied with the lift.

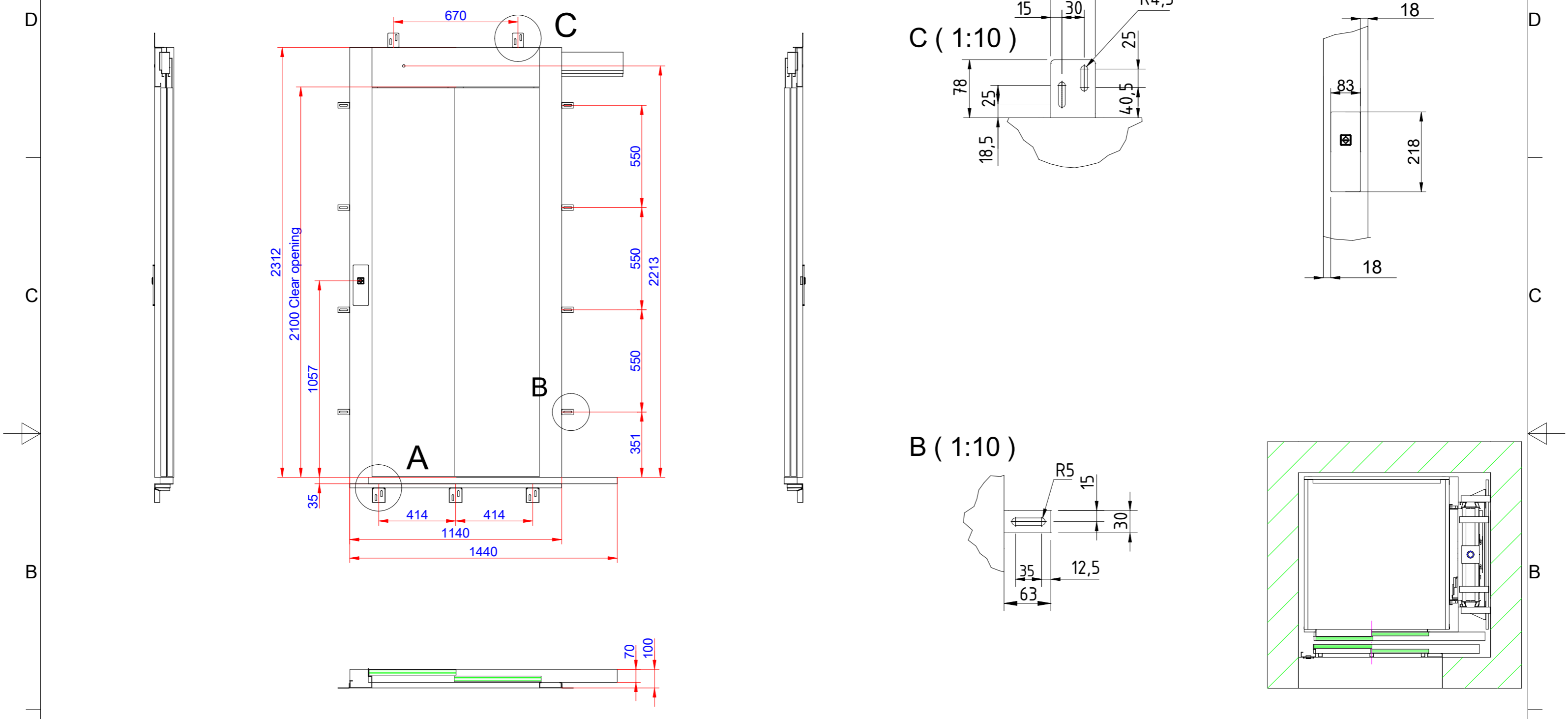
Approved by builder:

European view placement:

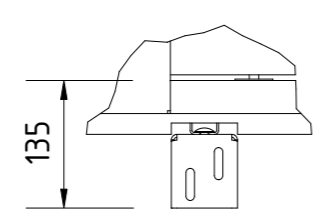


EOS ID		Principal drawing C1-Futura - 1100*1200 Landing information	
Tender no			
Order no			
Gen. Tolerances	Date	sheet	Scale:
SS-ISO 27681-1 m		4 of 6	A3, 1:1

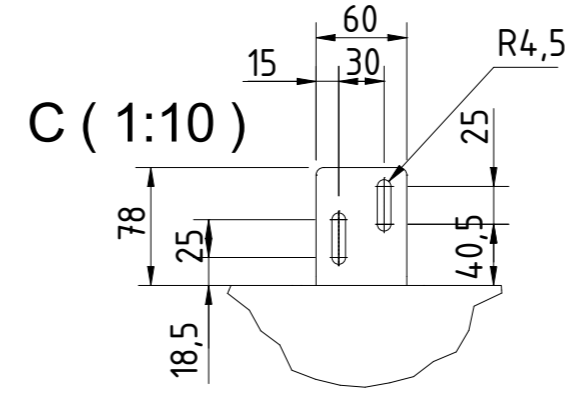
Information for landing 1 and door(s) on landing



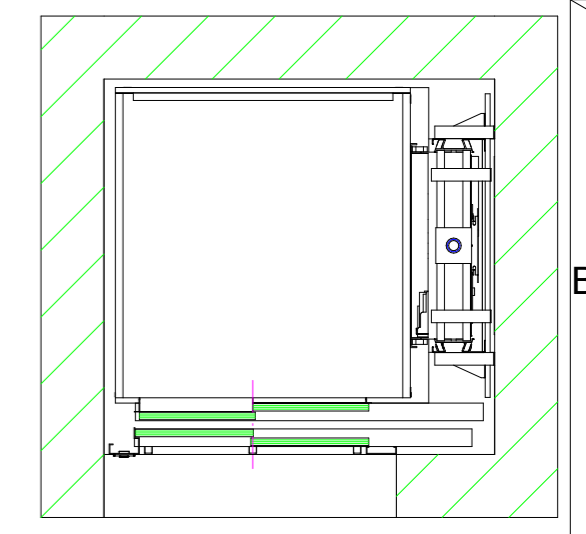
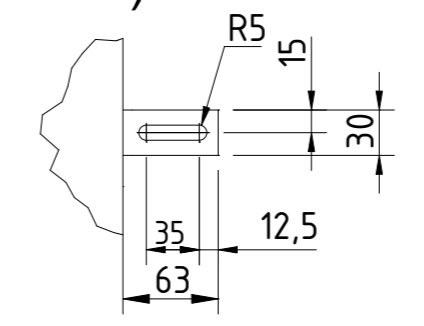
A (1:10)



C (1:10)



B (1:10)



Approved by builder:

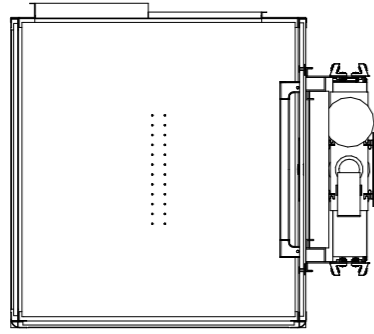
 European view placement:



EOS ID		Principal drawing C1-Futura - 1100*1200 Landing information	
Tender no			
Order no			
Gen. Tolerances	Date	sheet	Scale:
SS-ISO 27681-1 m		5 of 6	A3, 1:1

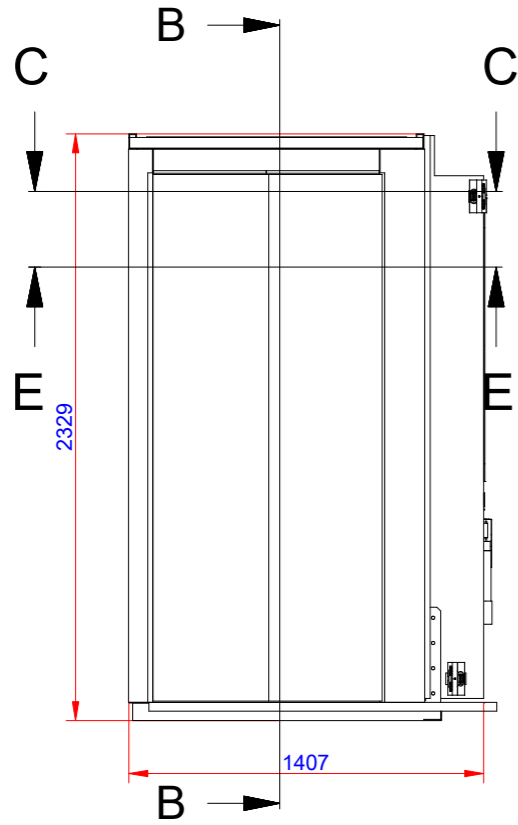
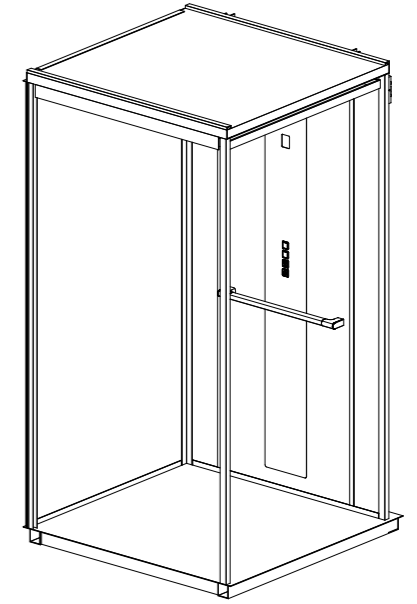
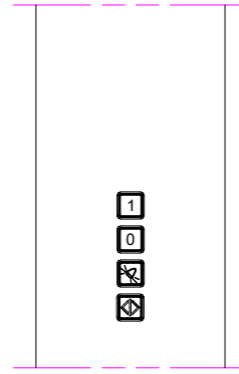
Cabin layout

E-E (1:30)

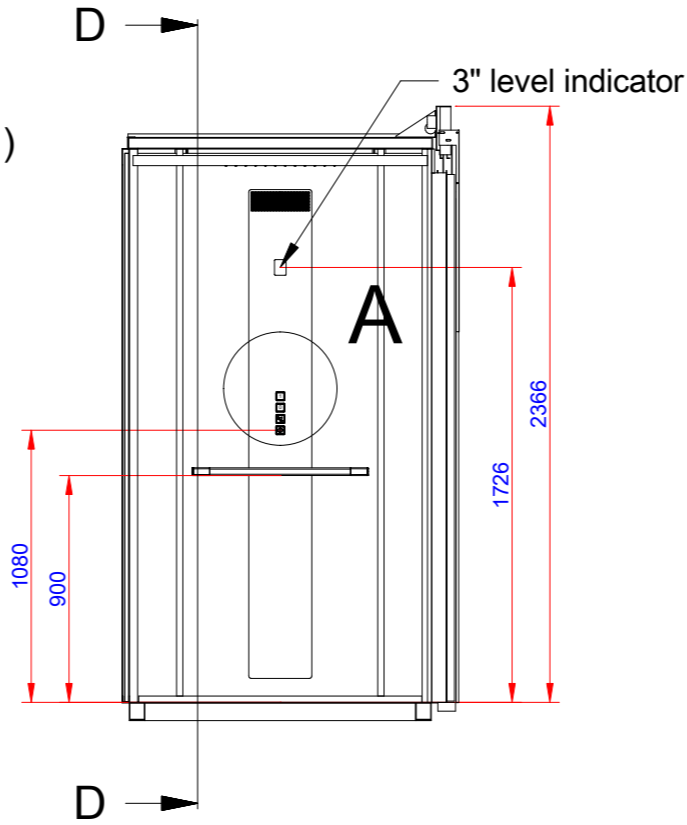


Button layout

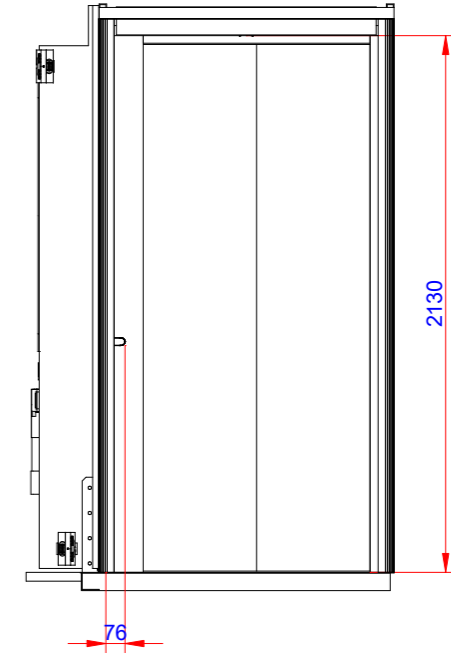
A (1:10)



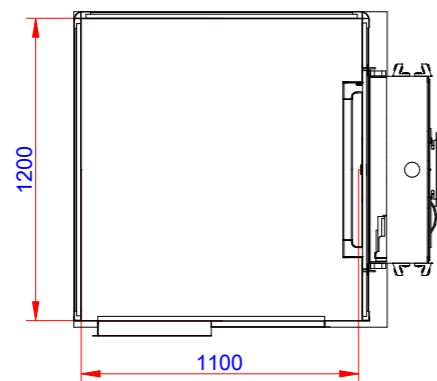
B-B (1:30)



D-D (1:30)



Cabin dimensions
C-C (1:30)



Approved by
builder:

European view placement:



EOS ID

Tender no

Order no

Gen. Tolerances

SS-ISO 27681-1 m

Principal drawing
C1-Futura - 1100*1200
Cabin layout

Date

sheet

6 of 6

Scale:

A3, 1:1