

A

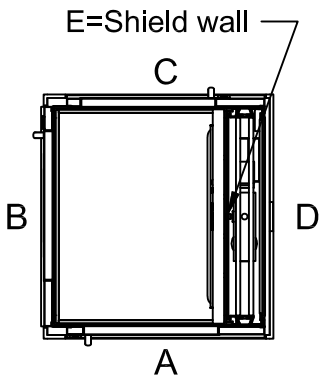
B

C

D

E

Positioning of machinery:



*To be adapted on site
**Customized panel

Options
 Frekv 1x230/240V 50-60Hz 16 A Soft
 Capacity: 400,00 kg

Approved by
 builder:



European view placement:

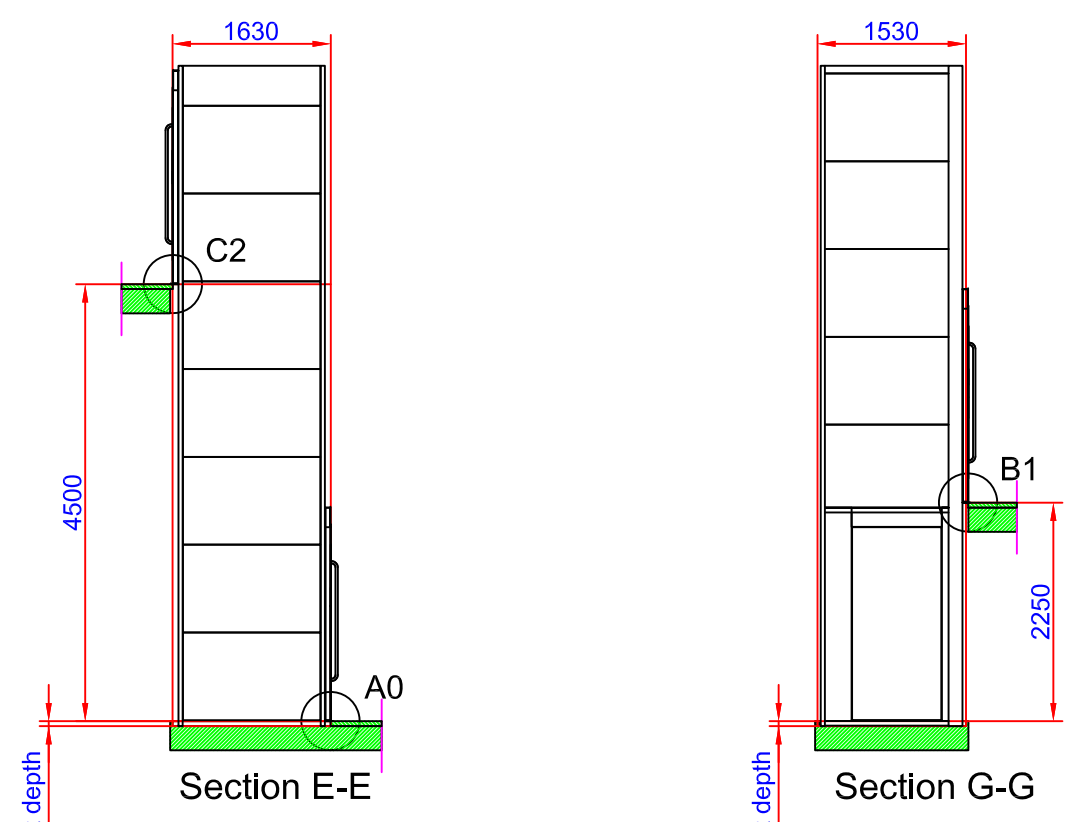
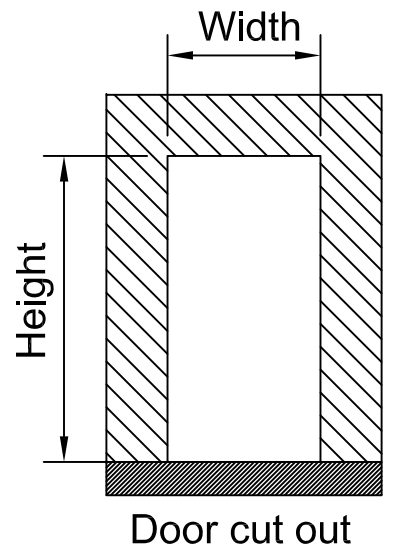


Tender no	Principal drawing A4 Primo - 1100*1467 Shaft drawing		
Order no			
Gen. Tolerances SS-ISO 27681-1 m	Date 2018-10-31	sheet 1 of 7	Scale: A3, 1:60

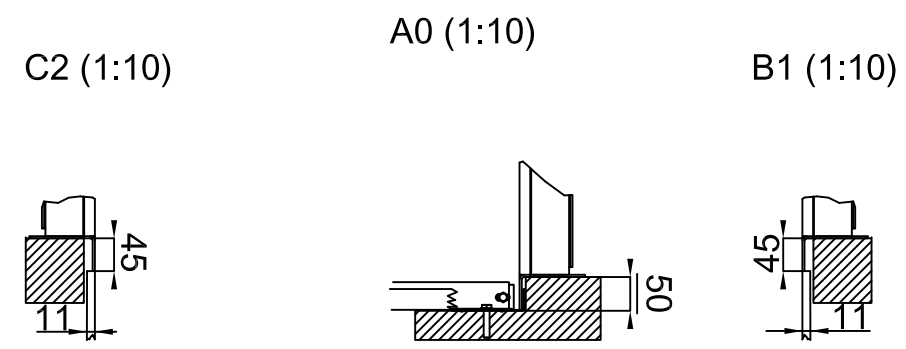
Shaft cutout sizes

Lift unit installed within a shaft by others

Door front cutout sizes		
Landing	Width	Height
A 0	1530	2250
B 1	1630	2250
C 2	1530	2250



50 mm pit depth + 10 mm, - 0 mm.
Bottom surface must be flat



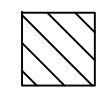
Approved by builder: _____

European view placement:



Tender no	Principal drawing A4 Primo - 1100*1467 Cut out sizes		
Order no			
Gen. Tolerances SS-ISO 27681-1 m	Date 2018-10-31	sheet 2 of 7	Scale: A3, 1:60

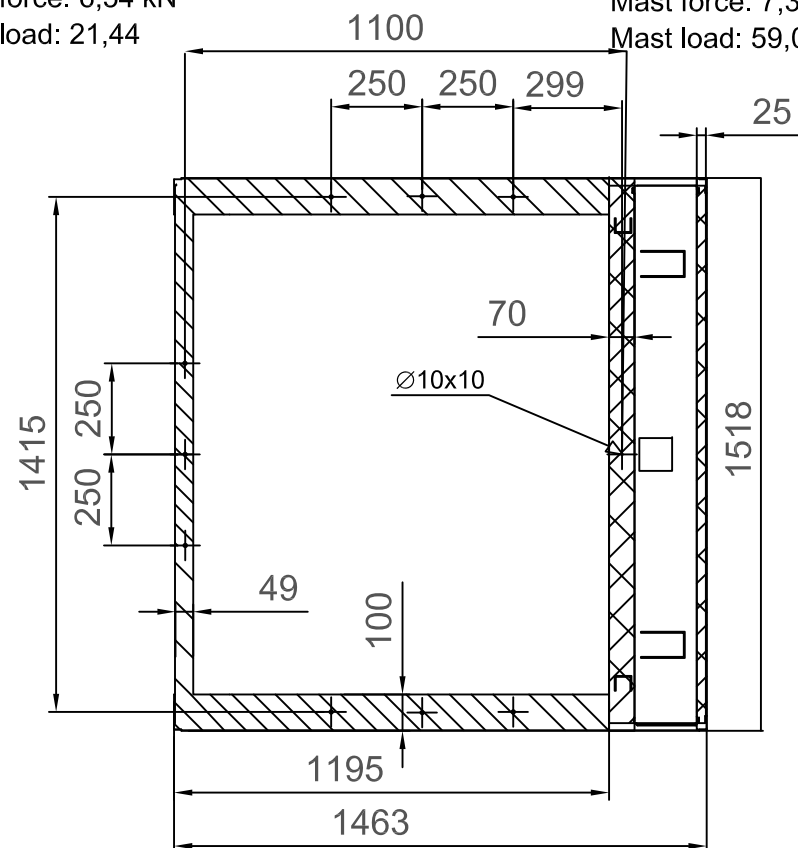
Loads sustained by shaft and platform
and fixing points bottom frame



L section force: 6,54 kN
L section load: 21,44
kN/m²

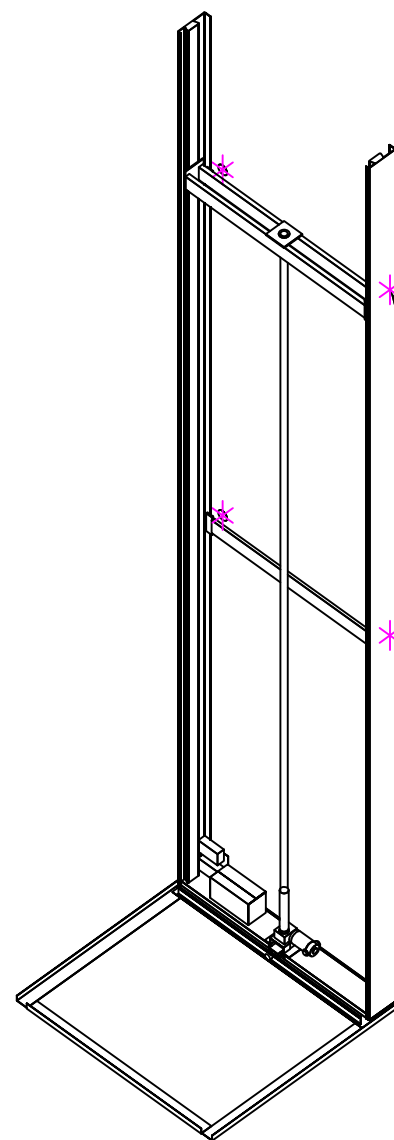


Mast force: 7,32 kN
Mast load: 59,03 kN/m²



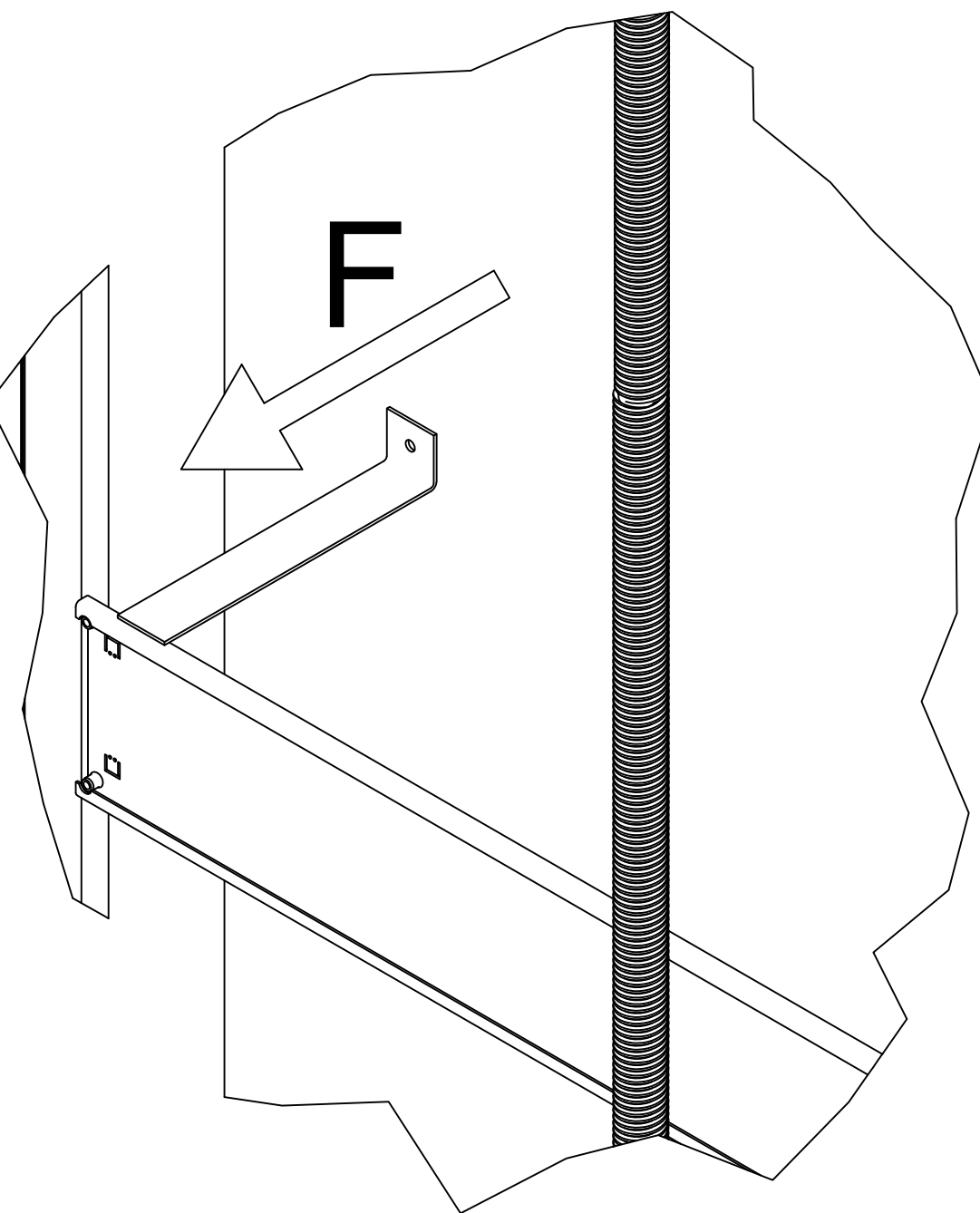
Scale: 1:20

Recommended positioning of fixing points.
Loads per fixing point, F=250 N



Fixing points, 250 N
See detail A

A (1:5)



Approved by builder: _____		Tender no	Principal drawing		
		Order no	A4 Primo - 1100*1467		
European view placement:		Gen. Tolerances	Date	sheet	Scale:
		SS-ISO 27681-1 m	2018-10-31	3 of 7	A3, 1:60