

50 mm pit depth

1409 Lift shaft dimension

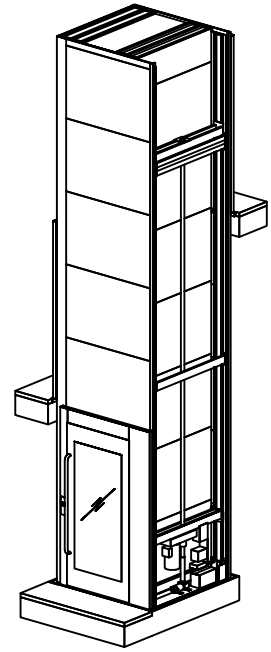
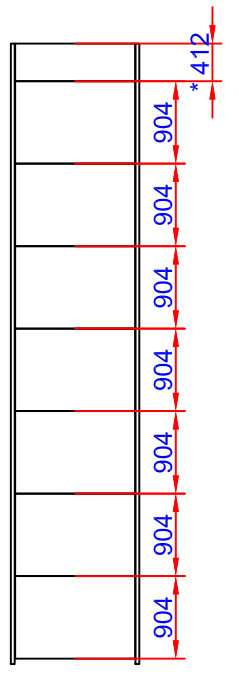
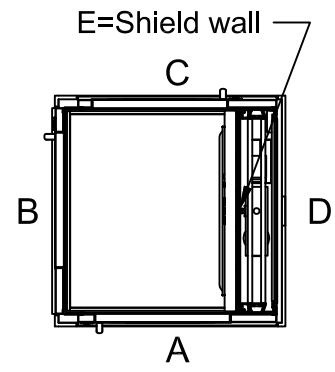
1460 Lift shaft dimension

Fixing points, 250 N

*To be adapted on site
**Customized panel

Options
Frekv 1x230/240V 50-60Hz 16 A Soft
Capacity: 400,00 kg

Positioning of machinery:



Approved by builder:

European view placement:

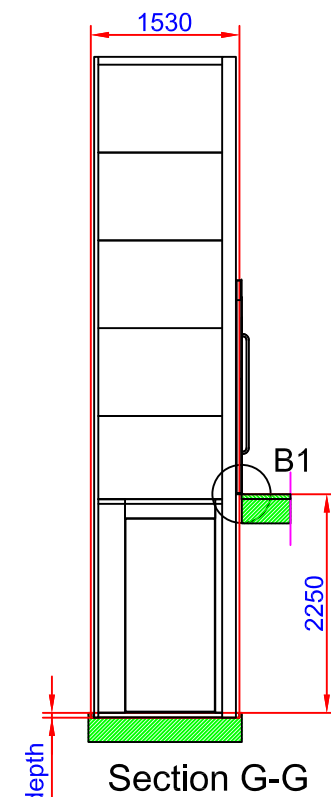
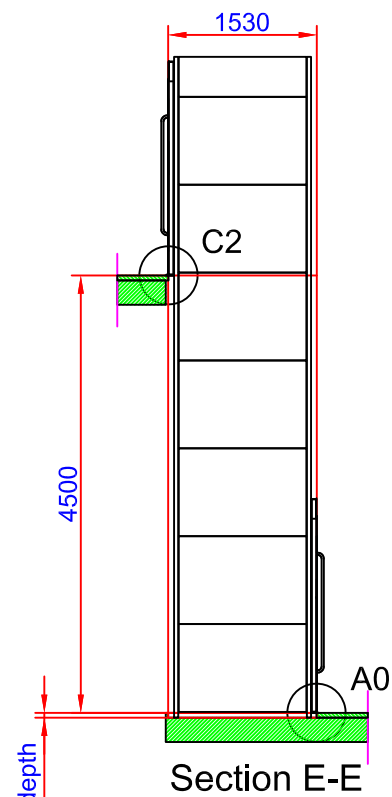
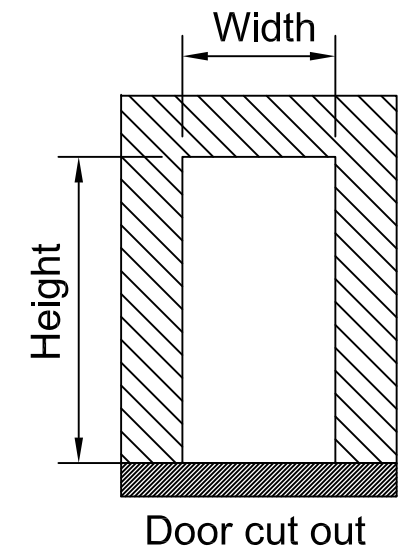


Tender no	Principal drawing A4 Primo - 1100*1367 Shaft drawing		
Order no			
Gen. Tolerances SS-ISO 27681-1 m	Date 2018-11-01	sheet 1 of 7	Scale: A3, 1:60

Shaft cutout sizes

Lift unit installed within a shaft by others

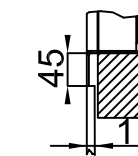
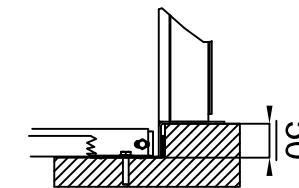
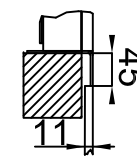
Door front cutout sizes		
Landing	Width	Height
A 0	1530	2250
B 1	1530	2250
C 2	1530	2250



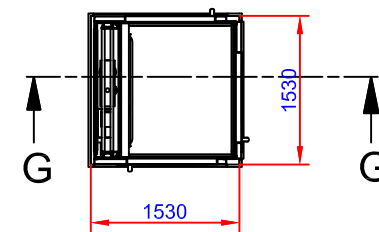
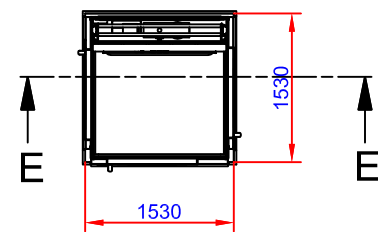
C2 (1:10)

A0 (1:10)

B1 (1:10)



50 mm pit depth + 10 mm, - 0 mm.
Bottom surface must be flat



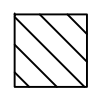
Approved by builder:

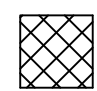


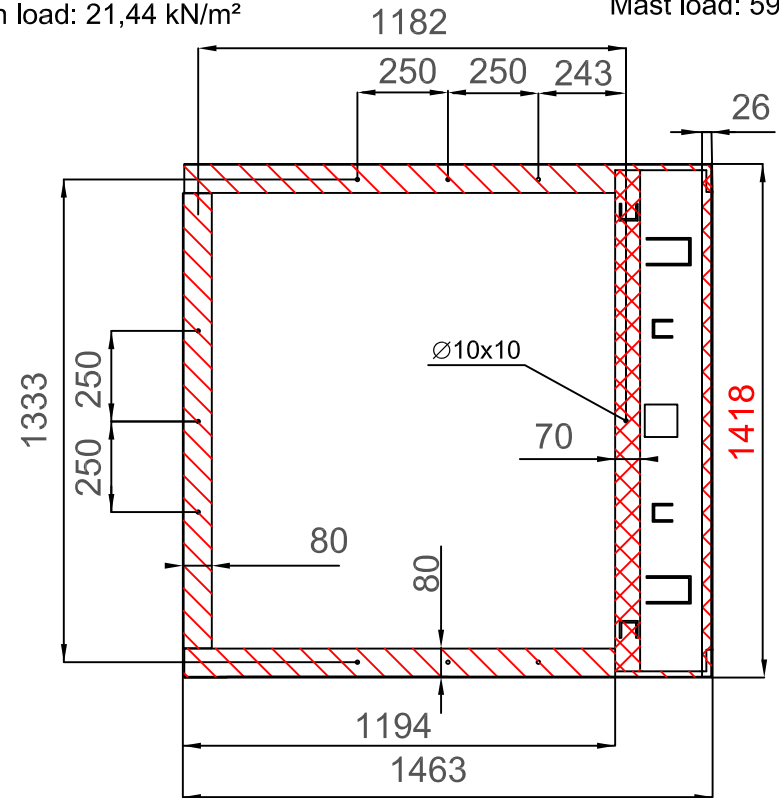
Tender no	Principal drawing A4 Primo - 1100*1367 Cut out sizes		
Order no			
Gen. Tolerances SS-ISO 27681-1 m	Date 2018-11-01	sheet 2 of 7	Scale: A3, 1:60

European view placement:

Loads sustained by shaft and platform
and fixing points bottom frame

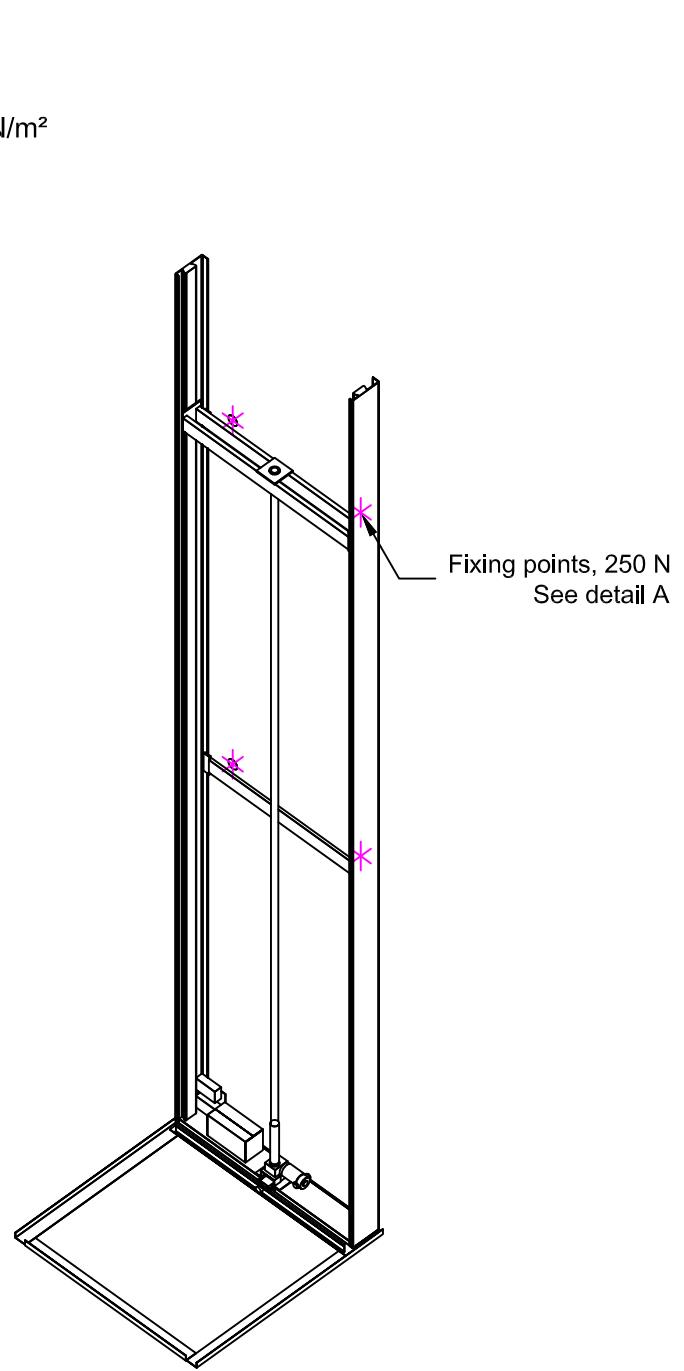
 L section force: 6,54 kN
L section load: 21,44 kN/m²

 Mast force: 7,32 kN
Mast load: 59,03 kN/m²

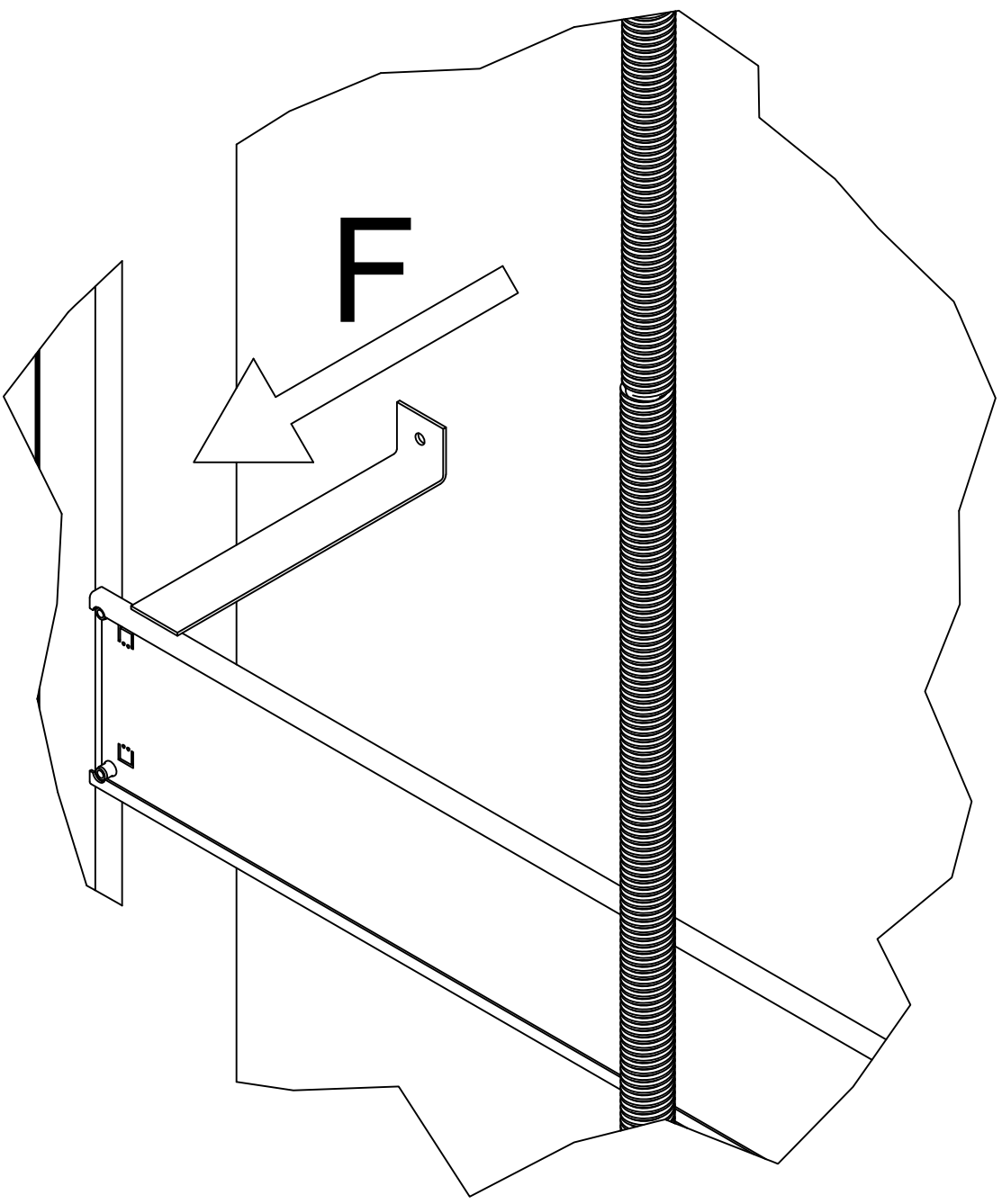


Scale: 1:20

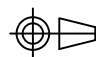
Recommended positioning of fixing points.
Loads per fixing point, F=250 N



A (1:5)



Approved by
builder:

European view placement: 



Tender no	Principal drawing		
Order no	A4 Primo - 1100*1367		
Gen. Tolerances	Date	sheet	Scale:
SS-ISO 27681-1 m	2018-11-01	3 of 7	A3, 1:60