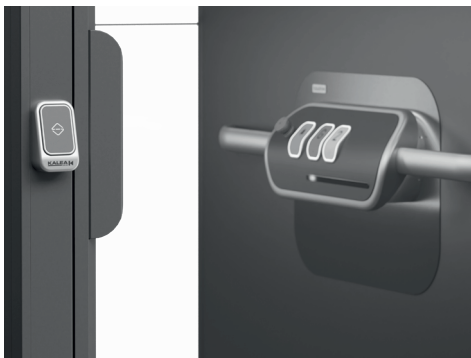

Technical Specifications

Kalea Luna



KALEA PLATFORM LIFTS





Technical Specifications

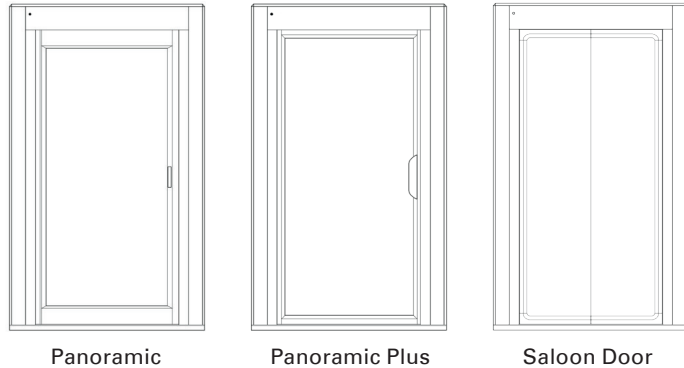
Kalea Luna

Product name	Kalea Luna
Installation	Indoor
Ready-made shaft	Shaft in steel or glass panels
No. lift sizes	20
Rated load	300/400/500 kg
Power supply	1 × 230 VAC, 50 Hz, 16 A, 3 × 2,5 mm ² 3 × 230 VAC, 50 Hz, 16 A, 5 × 2,5 mm ² 3 × 400 VAC, 50 Hz, 16 A, 5 × 2,5 mm ²
Speed	Max 0.15 m/s
Top height	2350/1300 mm (door/gate)
Min headroom	2400 mm (door)
Pit depth	0/50 mm
Directives & Standards	MD 2006/42/EC, EN 81-41:2010 and parts of EN 81-20:2020, SIL3 (Safety Integrity Level 3)
Drive system	Screw and nut
Lift controls	Hold-to-run on platform, one touch on landings ¹
Control system	Micro computer based SIL3 (Safety Integrity Level 3)
Motor power	1.5 kW (upgraded standard drive system)
Machine room	Machine room less (MRL)
Max number of stops	6
Max travel	20 m
Door configuration	Single entry, open-through or adjacent access
Safety	Safety edges for the top of the platform and floor, overload protection, emergency stop and alarm button, emergency telephone and battery emergency lowering are included as standard, various lock solutions and fire drive are available as options.
Glass specification	Tempered and laminated safety glass (4.0 mm + 0.76 mm PVB foil + 4.0 mm).
Light specification	LED lights, CCT 3000K, >50 LUX on the lift control panel

¹ According to European Standards, hold-to-run operation is mandatory on the platform. For markets outside the EU, other standards may apply, contact your Kalea dealer for more information.

Door models

Glazing in laminated and tempered safety glass.

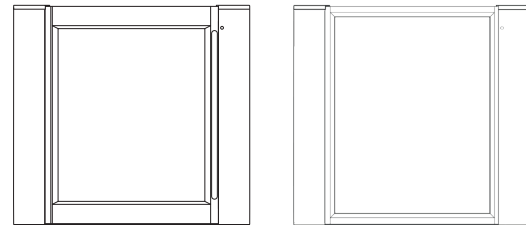


Door Models Platform Lifts			
Door model	Panoramic	Panoramic Plus	Saloon Door
Door type	Single-hinged door	Single-hinged door	Double-hinged saloon door
Material	Aluminium	Aluminium	Aluminium
Glazing	Panoramic	Panoramic extra	Panoramic extra
Door handle	Integrated/External	External	N/A
Automatic door opener	Optional	Optional	Standard
Top height	2350 mm ¹	2350 mm ¹	2350 mm ¹
Door options	We offer a wide range of door options, like floor indicators, landing lights, door open holders, remote call buttons, kick plates, and various locking systems. For more information about our door options, we refer you to our product brochures.		

¹ The top height of 2350 mm is for a door with a door clearance height of 2100 mm. The door clearance height can be customised (increased/decreased) by steps of 100 mm. When the door clearance height is customised by steps of 100 mm, the top height will increase/decrease accordingly. Please contact your Kalea dealer for more information.

Gate models

Glazing in laminated and tempered safety glass.



Panoramic Gate

Panoramic Plus Gate

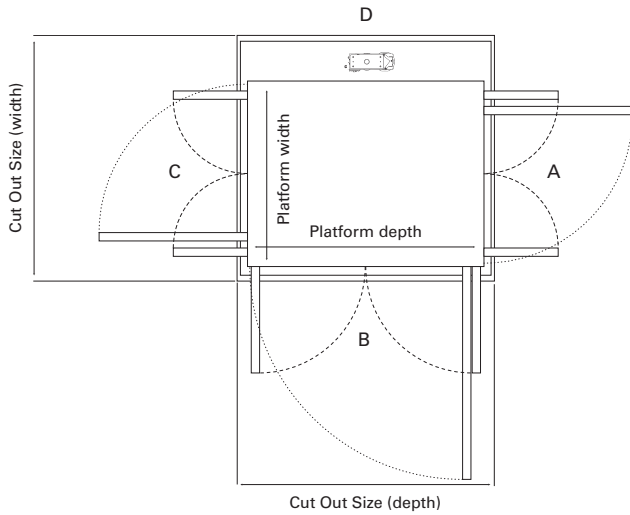
Gate Models Platform Lifts		
Door model	Panoramic Gate	Panoramic Plus Gate
Door type	Single-hinged gate	Single-hinged gate
Material	Aluminium and steel	Aluminium and steel
Glazing	Panoramic	Panoramic extra
Door handle	External	N/A
Automatic door opener	Optional	Optional
Top height	1300 mm	1300 mm
Door options	We offer a wide range of gate options, like door open holders, remote call buttons, kick plates, and various locking systems. For information about the availability of door options for our different lift models, we refer you to our product brochures.	

Note: Gates are only available for the top floor of the lift. According to European Standards, the maximum travel for a lift with a gate on the top floor is set to 3000 mm. For markets outside the EU, other standards may apply, contact your Kalea dealer for more information.

Cut Out Sizes for Platform Lifts Kalea Luna All measurements in mm, Width x Depth (A/C x B/D)						
Platform Size	Doors on A/C	Doors on A + C	Doors on B	Doors on A/C + B	Doors on A + C + B	Rated Load (kg)
625 x 950	N/A	N/A	1070 x 1040	N/A	N/A	300
625 x 1150	N/A	N/A	1070 x 1240	N/A	N/A	300
625 x 1350	N/A	N/A	1070 x 1440	N/A	N/A	400/500
625 x 1450	N/A	N/A	1070 x 1540	N/A	N/A	400/500
825 x 850	1240 x 970	1240 x 1000	1270 x 940	1270 x 970	1270 x 1000	300
825 x 950	1240 x 1070	1240 x 1100	1270 x 1040	1270 x 1070	1270 x 1100	300
825 x 1150	1240 x 1270	1240 x 1300	1270 x 1240	1270 x 1270	1270 x 1300	300
825 x 1350	1240 x 1470	1240 x 1500	1270 x 1440	1270 x 1470	1270 x 1500	400/500
825 x 1450	1240 x 1570	1240 x 1600	1270 x 1540	1270 x 1570	1270 x 1600	400/500
1025 x 850	1440 x 970	1440 x 1000	1470 x 940	1470 x 970	1470 x 1000	300
1025 x 950	1440 x 1070	1440 x 1100	1470 x 1040	1470 x 1070	1470 x 1100	300
1025 x 1150	1440 x 1270	1440 x 1300	1470 x 1240	1470 x 1270	1470 x 1300	300
1025 x 1350	1440 x 1470	1440 x 1500	1470 x 1440	1470 x 1470	1470 x 1500	400/500
1025 x 1450	1440 x 1570	1440 x 1600	1470 x 1540	1470 x 1570	1470 x 1600	400/500
1125 x 850	1540 x 970	1540 x 1000	1570 x 940	1570 x 970	1570 x 1000	300
1125 x 950	1540 x 1070	1540 x 1100	1570 x 1040	1570 x 1070	1570 x 1100	300
1125 x 1150	1540 x 1270	1540 x 1300	1570 x 1240	1570 x 1270	1570 x 1300	300
1125 x 1350	1540 x 1470	1540 x 1500	1570 x 1440	1570 x 1470	1570 x 1500	400/500
1125 x 1450	1540 x 1570	1540 x 1600	1570 x 1540	1570 x 1570	1570 x 1600	400/500
1125 x 1550	1540 x 1670	1540 x 1700	1570 x 1640	1570 x 1670	1570 x 1700	400/500

Note: The cut out sizes may vary depending on the lift configuration. For exact measurements, please contact Kalea to receive project specific drawings.

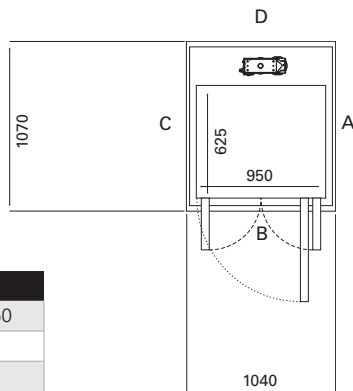
Cut Out Sizes & Door Access



The cut out size refers to the minimal dimensions of the pit and the opening between floors (width x depth, mm) required to install the lift.

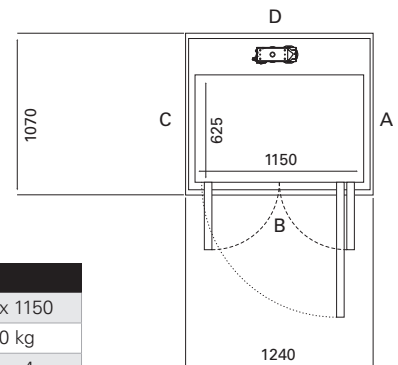
The below drawings show the cut out size of a lift with doors only on the B side (B) or with doors on each side (A+B+C), depending on lift size. The tables beneath the drawings show the cut out sizes for lifts with doors only on side B or only on side A/C.

For cut out sizes for lifts with other door configurations, please consult the table on the previous page. **For cut out sizes for lifts with a gate on the top floor, please contact Kalea for project specific drawings.**



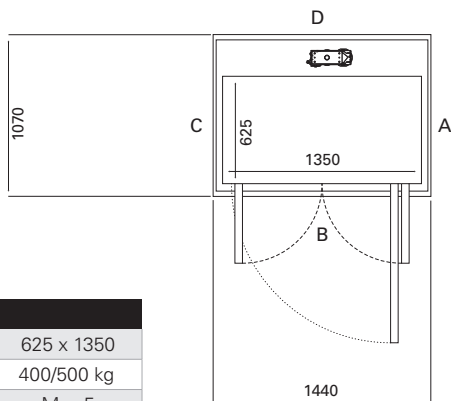
Platform Size	625 x 950
Rated Load	300 kg
Passengers	Max 4

Doors on Side	Cut Out Size		Door Opening Width	
	Side A/C	Side B/D	Swing Door	Saloon Door
Side B	1070	1040	754	716
Side A/C	N/A	N/A	N/A	N/A



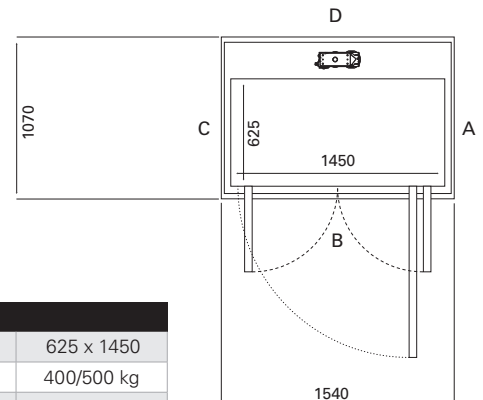
Platform Size	625 x 1150
Rated Load	300 kg
Passengers	Max 4

Doors on Side	Cut Out Size		Door Opening Width	
	Side A/C	Side B/D	Swing Door	Saloon Door
Side B	1070	1240	854	816
Side A/C	N/A	N/A	N/A	N/A



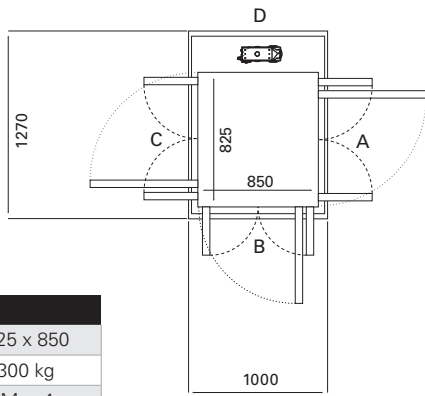
Platform Size	625 x 1350
Rated Load	400/500 kg
Passengers	Max 5

Doors on Side	Cut Out Size		Door Opening Width	
	Side A/C	Side B/D	Swing Door	Saloon Door
Side B	1070	1440	954	916
Side A/C	N/A	N/A	N/A	N/A



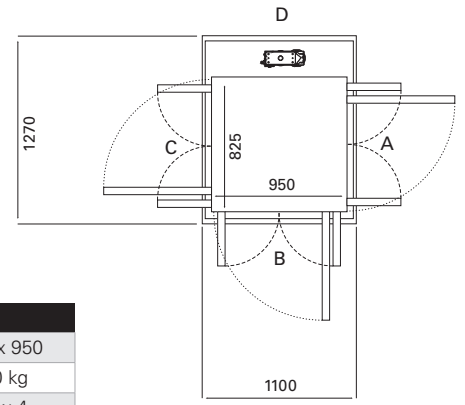
Platform Size	625 x 1450
Rated Load	400/500 kg
Passengers	Max 5

Doors on Side	Cut Out Size		Door Opening Width	
	Side A/C	Side B/D	Swing Door	Saloon Door
Side B	1070	1540	1054	1016
Side A/C	N/A	N/A	N/A	N/A



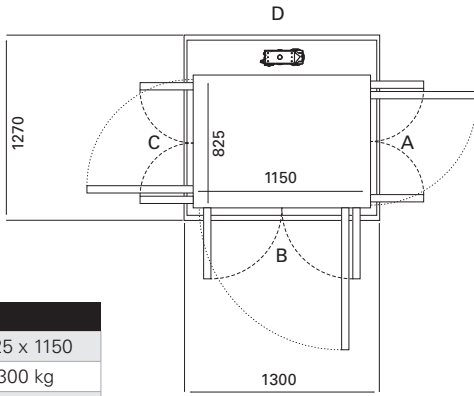
Platform Size	825 x 850
Rated Load	300 kg
Passengers	Max 4

Doors on Side	Cut Out Size		Door Opening Width	
	Side A/C	Side B/D	Swing Door	Saloon Door
Side B	1270	940	654	616
Side A/C	1240	970	654	616



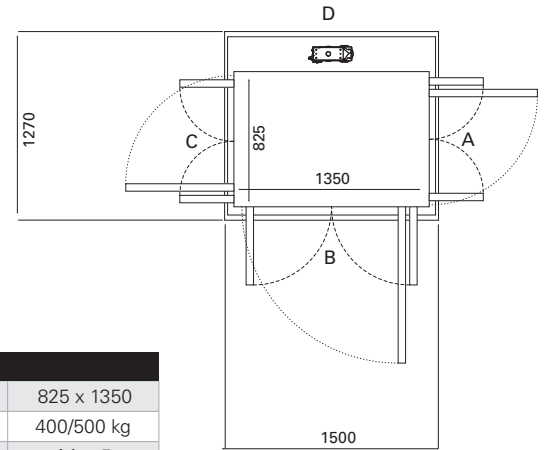
Platform Size	825 x 950
Rated Load	300 kg
Passengers	Max 4

Doors on Side	Cut Out Size		Door Opening Width	
	Side A/C	Side B/D	Swing Door	Saloon Door
Side B	1270	1040	754	716
Side A/C	1240	1070	654	616



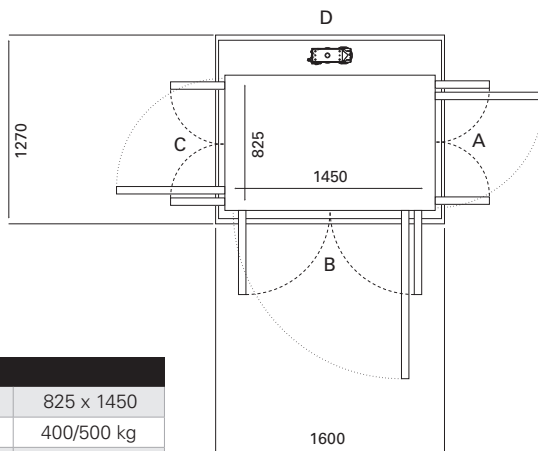
Platform Size	825 x 1150
Rated Load	300 kg
Passengers	Max 4

Doors on Side	Cut Out Size		Door Opening Width	
	Side A/C	Side B/D	Swing Door	Saloon Door
Side B	1270	1240	854	816
Side A/C	1240	1270	654	616



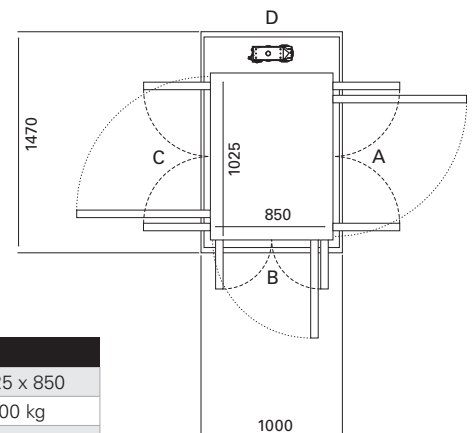
Platform Size	825 x 1350
Rated Load	400/500 kg
Passengers	Max 5

Doors on Side	Cut Out Size		Door Opening Width	
	Side A/C	Side B/D	Swing Door	Saloon Door
Side B	1270	1440	954	916
Side A/C	1240	1470	654	616



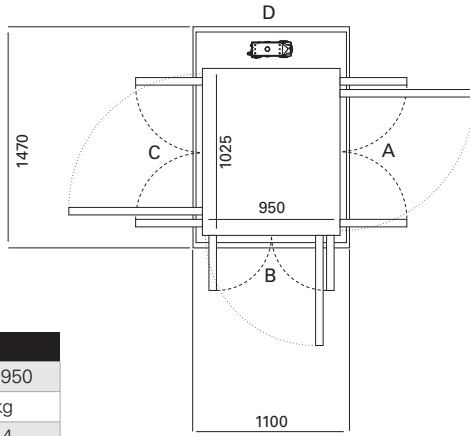
Platform Size	825 x 1450
Rated Load	400/500 kg
Passengers	Max 5

Doors on Side	Cut Out Size		Door Opening Width	
	Side A/C	Side B/D	Swing Door	Saloon Door
Side B	1270	1540	1054	1016
Side A/C	1240	1570	654	616



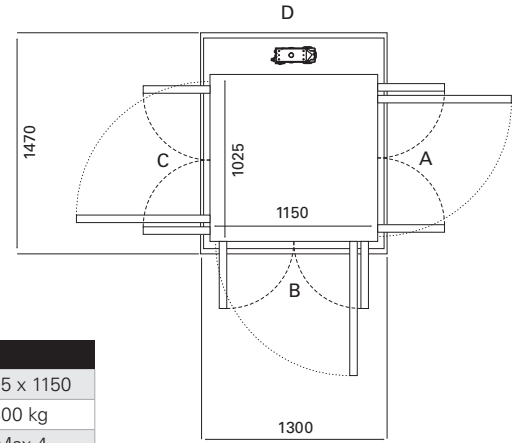
Platform Size	1025 x 850
Rated Load	300 kg
Passengers	Max 4

Doors on Side	Cut Out Size		Door Opening Width	
	Side A/C	Side B/D	Swing Door	Saloon Door
Side B	1470	940	654	616
Side A/C	1440	970	904	816



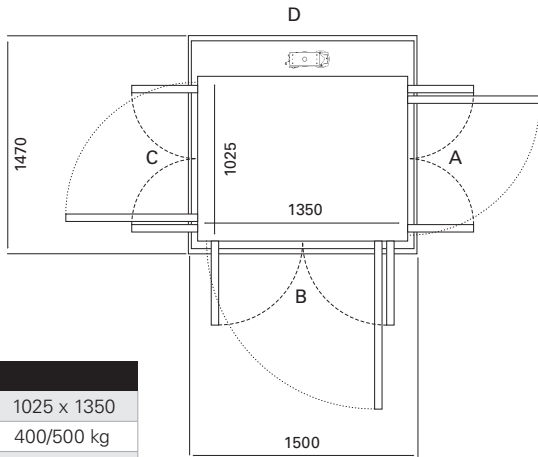
Platform Size	1025 x 950
Rated Load	300 kg
Passengers	Max 4

Doors on Side	Cut Out Size		Door Opening Width	
	Side A/C	Side B/D	Swing Door	Saloon Door
Side B	1470	1040	754	716
Side A/C	1440	1070	904	816



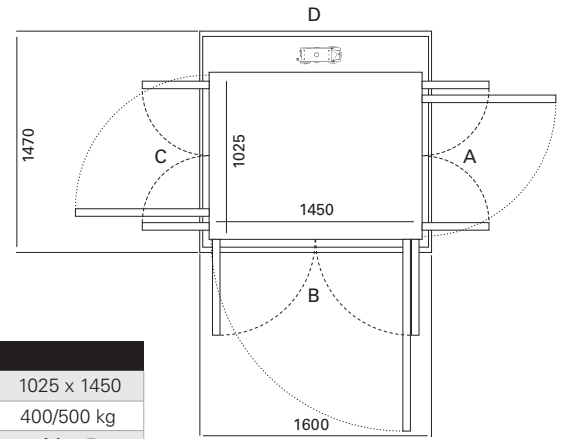
Platform Size	1025 x 1150
Rated Load	300 kg
Passengers	Max 4

Doors on Side	Cut Out Size		Door Opening Width	
	Side A/C	Side B/D	Swing Door	Saloon Door
Side B	1470	1240	854	816
Side A/C	1440	1270	904	816



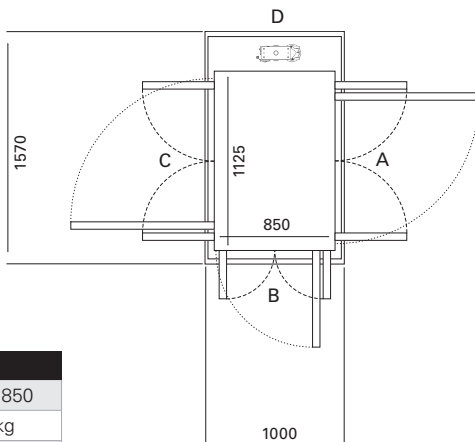
Platform Size	1025 x 1350
Rated Load	400/500 kg
Passengers	Max 5

Doors on Side	Cut Out Size		Door Opening Width	
	Side A/C	Side B/D	Swing Door	Saloon Door
Side B	1470	1440	954	916
Side A/C	1440	1470	904	816



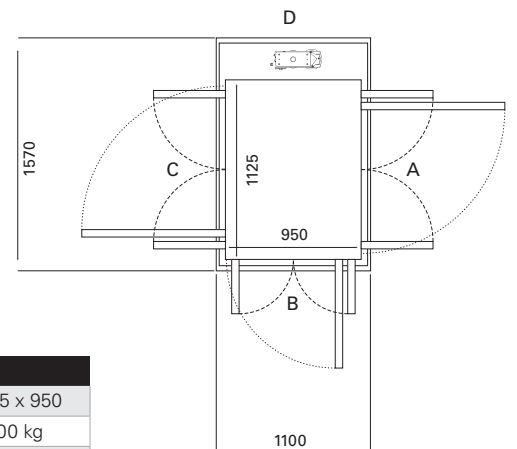
Platform Size	1025 x 1450
Rated Load	400/500 kg
Passengers	Max 5

Doors on Side	Cut Out Size		Door Opening Width	
	Side A/C	Side B/D	Swing Door	Saloon Door
Side B	1470	1540	1054	1016
Side A/C	1440	1570	904	816



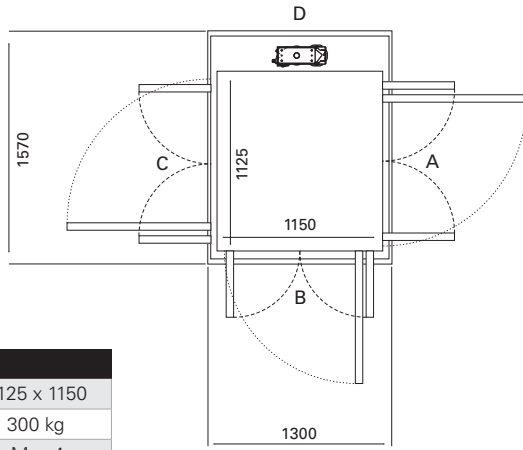
Platform Size	1125 x 850
Rated Load	300 kg
Passengers	Max 4

Doors on Side	Cut Out Size		Door Opening Width	
	Side A/C	Side B/D	Swing Door	Saloon Door
Side B	1570	940	654	616
Side A/C	1540	970	954	916



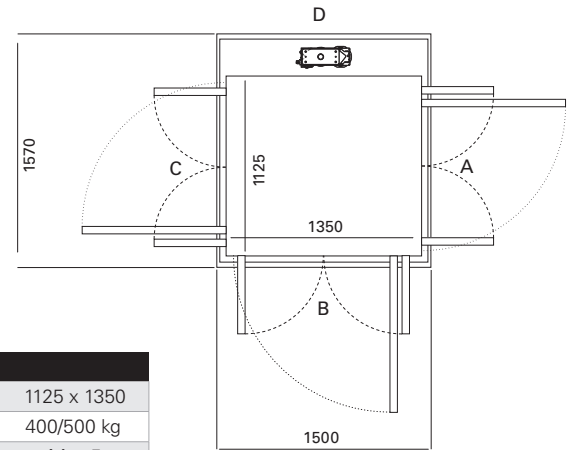
Platform Size	1125 x 950
Rated Load	300 kg
Passengers	Max 4

Doors on Side	Cut Out Size		Door Opening Width	
	Side A/C	Side B/D	Swing Door	Saloon Door
Side B	1570	1040	754	716
Side A/C	1540	1070	954	916



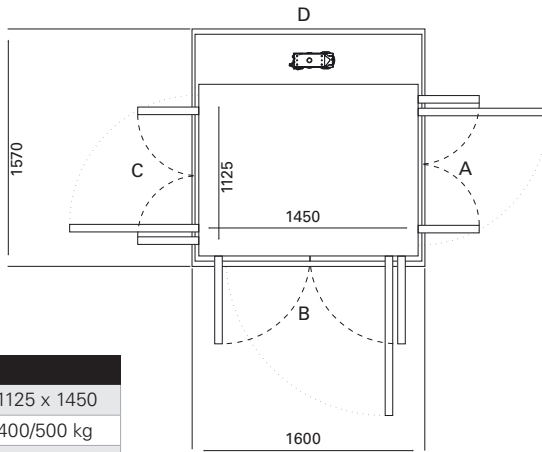
Platform Size	1125 x 1150
Rated Load	300 kg
Passengers	Max 4

Doors on Side	Cut Out Size		Door Opening Width	
	Side A/C	Side B/D	Swing Door	Saloon Door
Side B	1570	1240	854	816
Side A/C	1540	1270	954	916



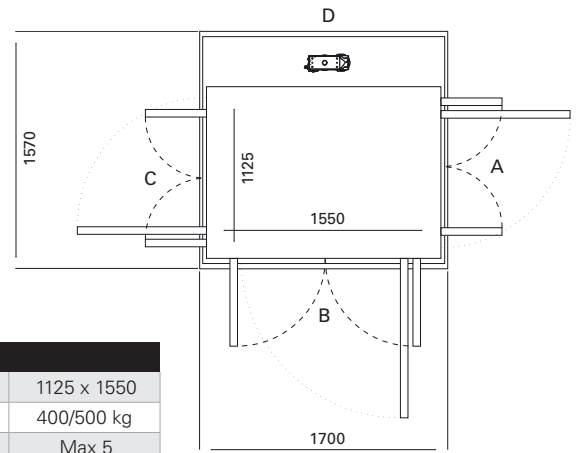
Platform Size	1125 x 1350
Rated Load	400/500 kg
Passengers	Max 5

Doors on Side	Cut Out Size		Door Opening Width	
	Side A/C	Side B/D	Swing Door	Saloon Door
Side B	1570	1440	954	916
Side A/C	1540	1470	954	916



Platform Size	1125 x 1450
Rated Load	400/500 kg
Passengers	Max 5

Doors on Side	Cut Out Size		Door Opening Width	
	Side A/C	Side B/D	Swing Door	Saloon Door
Side B	1570	1540	1054	1016
Side A/C	1540	1570	954	916



Platform Size	1125 x 1550
Rated Load	400/500 kg
Passengers	Max 5

Doors on Side	Cut Out Size		Door Opening Width	
	Side A/C	Side B/D	Swing Door	Saloon Door
Side B	1570	1640	1054	1016
Side A/C	1540	1670	954	916

NOTES

A series of horizontal dotted lines for writing notes.



Kalea Lifts AB, Utmarksvägen 3, 802 91, Gävle, Sweden
www.kalealifts.com, Email: info@kalealifts.se, Tel: +46 (0) 26 17 14 00