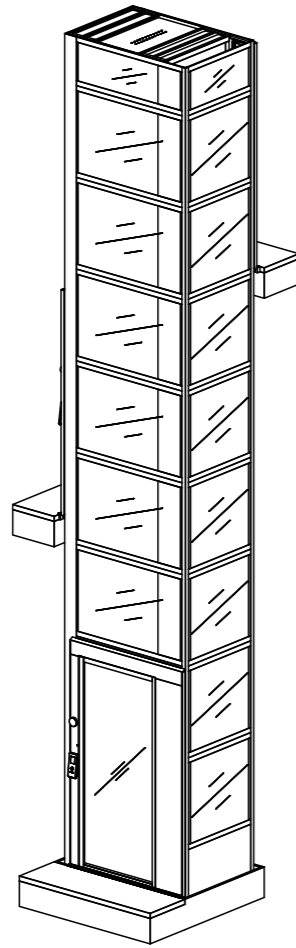
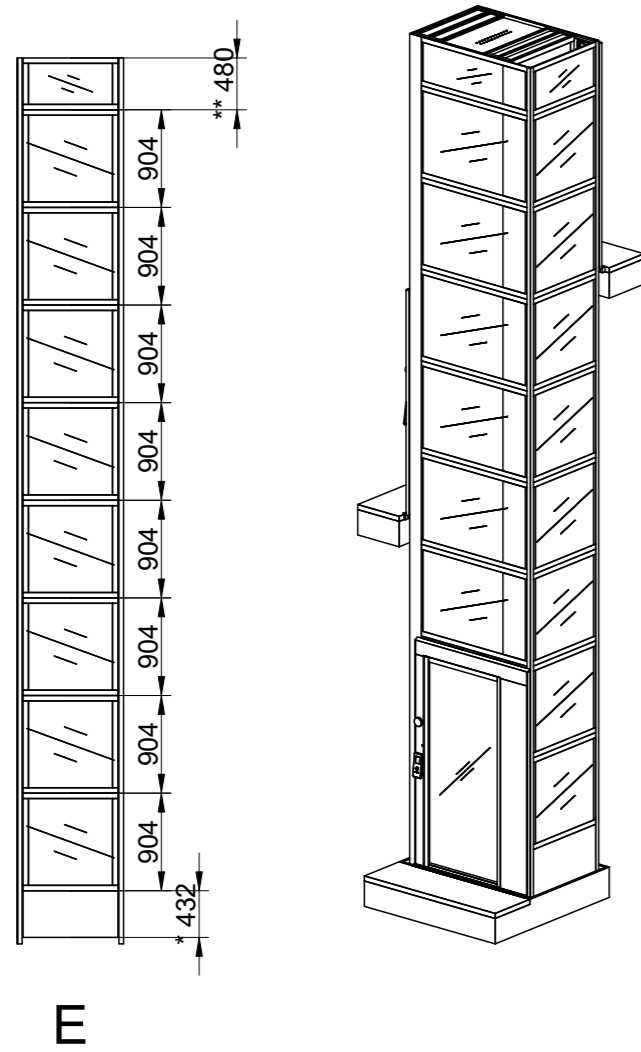
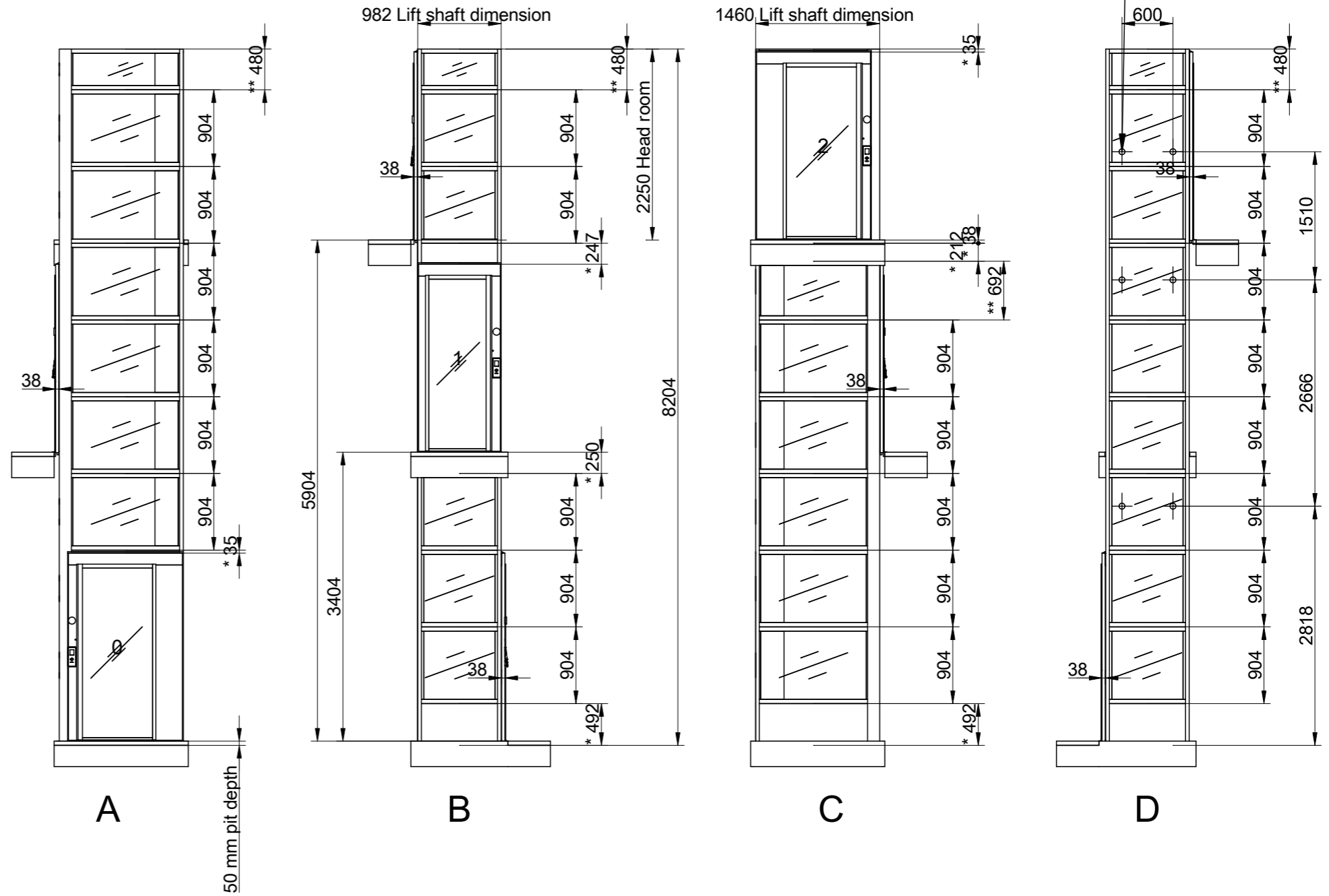
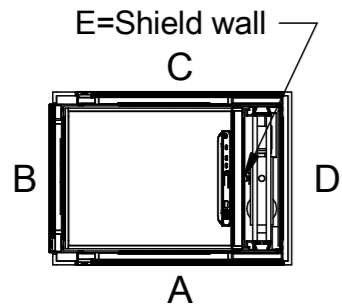


Cutout dimension see sheet
2, forces see sheet 3

*To be adapted on site
**Customized panel



Positioning of machinery:



Options
Freq. 1x230/240V 50-60Hz 16A Soft
Capacity: 300,00 kg

Approved by
builder:

European view placement:



EOS ID
L00378503

Tender no
IN63229

Order no

Gen. Tolerances
SS-ISO 27681-1 m

Principal drawing
X90 - 1100*930
Shaft drawing
Kalea Kosmos X90
Kalea Kosmos X90

Date
2023-04-12
18:38

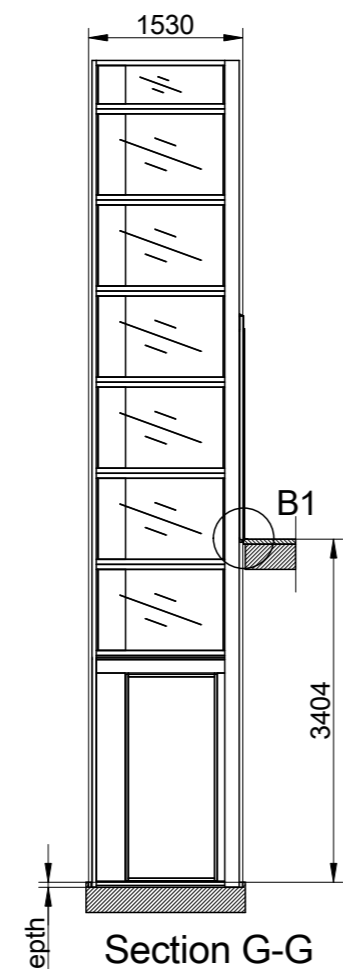
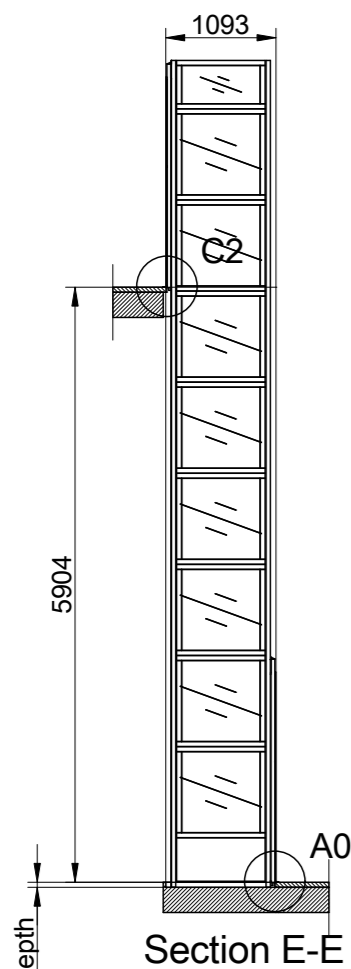
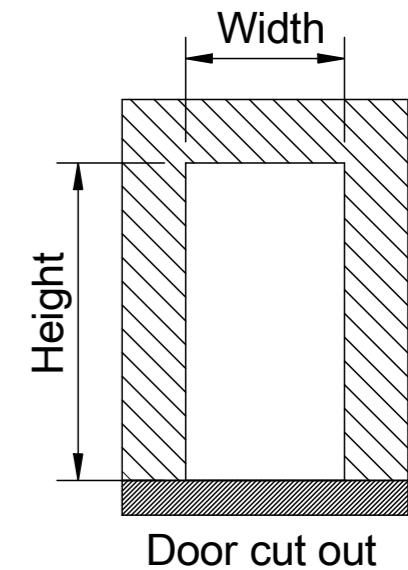
sheet
1 of 7

Scale:
A3, 1:60

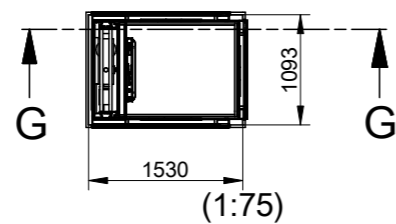
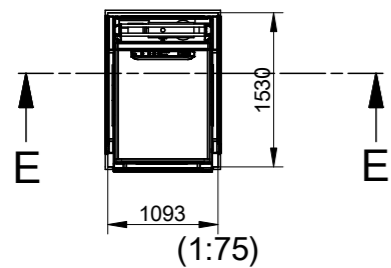
Shaft cutout sizes

Lift unit installed within a shaft by others

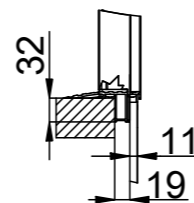
Door front cutout sizes		
Landing	Width	Height
A 0	1530	2250
B 1	1043	2250
C 2	1530	2250



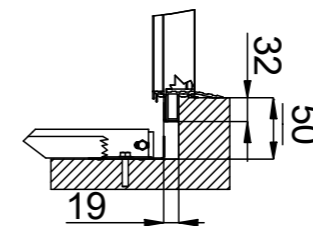
50 mm pit depth + 10 mm, - 0 mm.
Bottom surface must be flat



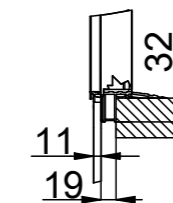
C2 (1:10)



A0 (1:10)



B1 (1:10)



Incoming power supply is connected at landing:

For wiring and power supply, refer to the unit's wiring diagrams.
Ceiling shaft lighting, is independent from the power cable and pulled back into the trench's upper part. Shaft lighting > 50 lux.

NOTE! An effective emergency telephone is required for approved inspection.
The purchaser is responsible for an active phone line being present prior to the lift installation.

The incoming telephone line is connected to CILow (TELE). Refer to wiring diagram.

The emergency signal device is powered by the lift's own battery in the event of a power failure.

The lift must be equipped with a two-way communication, either via the standard telephone or via the lift telephone, which automatically calls the alarm control center or the like.

NOTE! A lift featuring a frequency converter cannot be directly connected to a RCD.

NOTE! The platform lift shall be connected to a dedicated power supply conforming with EN 60204-1:2018, terminating at a main switch and fuse or overload with a means to lock it in the 'off' position or disconnected state

Approved by builder:

European view placement:



EOS ID
L00378503
Tender no
IN63229
Order no

Principal drawing
X90 - 1100*930
Cut out sizes
Kalea Kosmos X90
Kalea Kosmos X90

Gen. Tolerances SS-ISO 27681-1 m	Date 2023-04-12 18:38	sheet 2 of 7	Scale: A3, 1:60
-------------------------------------	-----------------------------	-----------------	--------------------

6 5 4 3 2 1

Loads sustained by shaft and platform
and fixing points bottom frame

Recommended positioning of fixing points.
Loads per fixing point, F=250 N

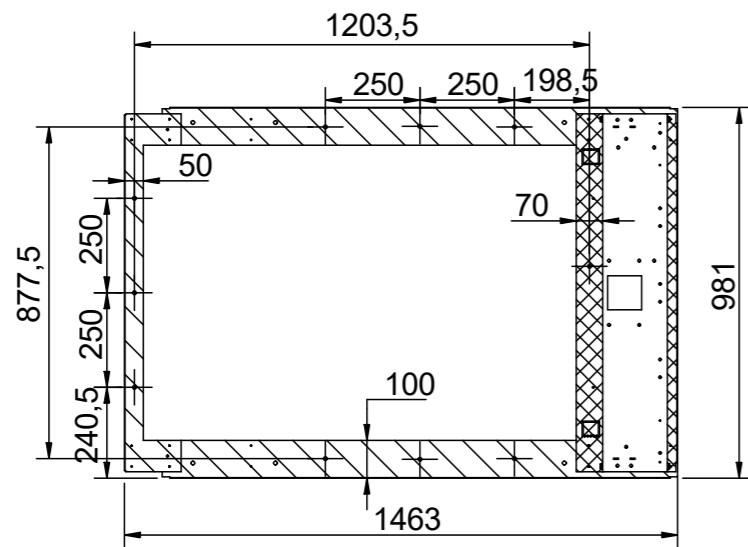
A (1:5)



L section force: 12,55 kN
L section load: 41,15 kN/m²
Weight on L-section area: 1255 kg

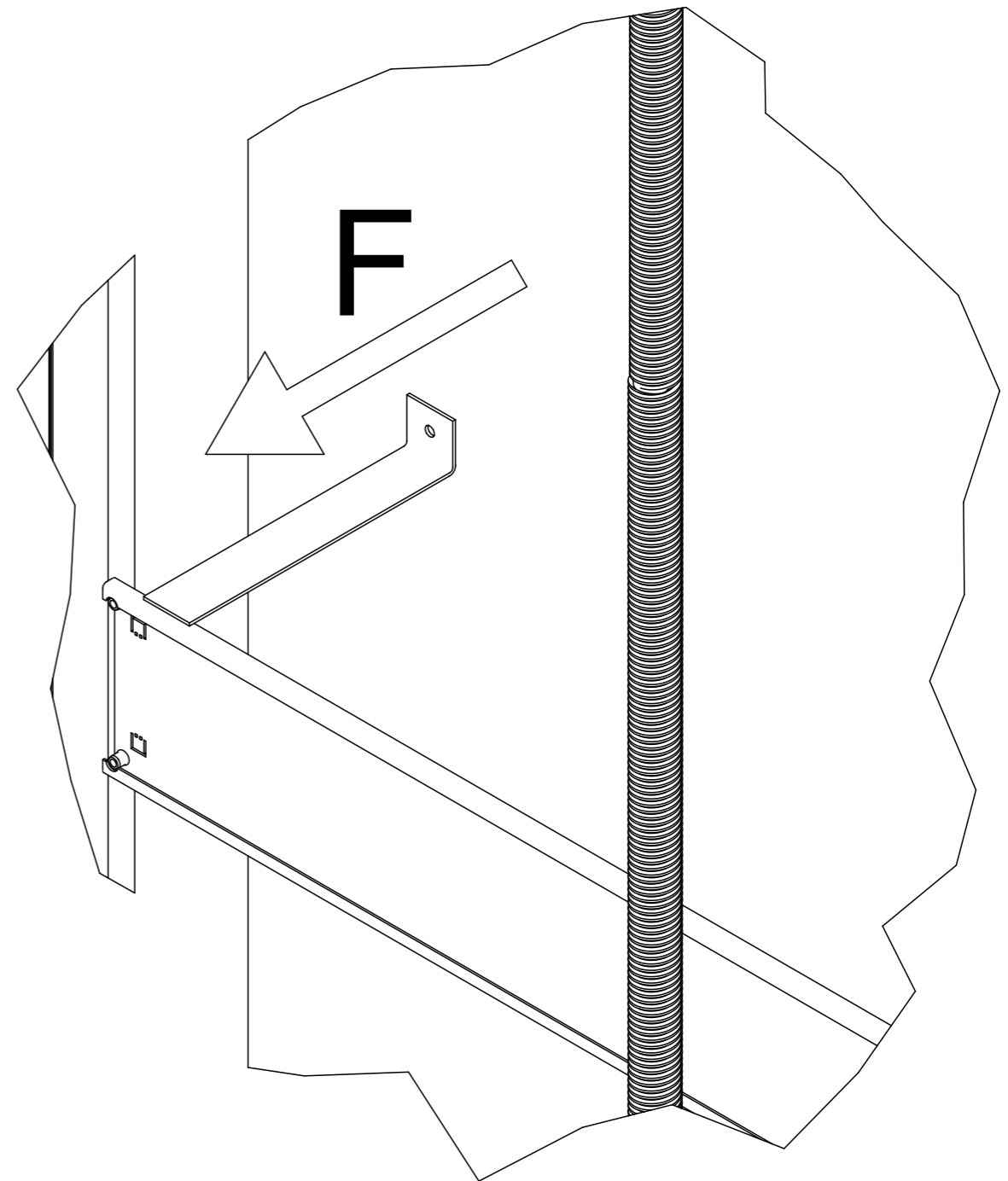
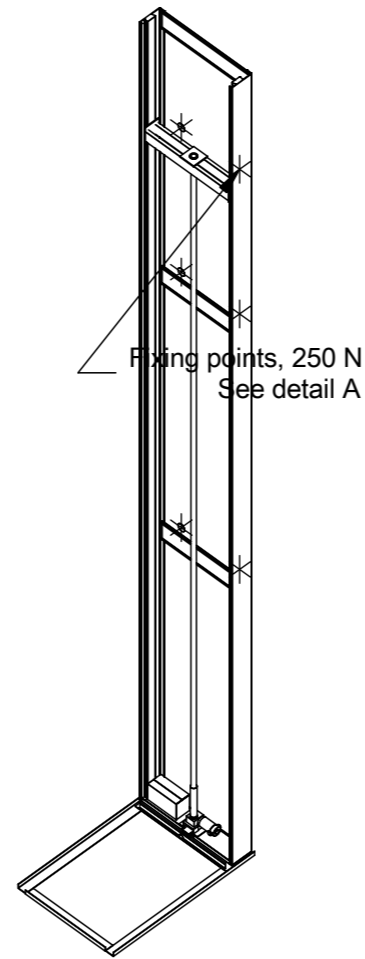


Mast force: 5,74 kN
Mast load: 46,29 kN/m²
Weight on mast area: 574 kg



Scale: 1:20

Total weight of the lift equipment
(including rated load): 1829 kg



D

C

B

A

D

C

B

A

Approved by
builder:

European view placement:



EOS ID
L00378503
Tender no
IN63229
Order no

Principal drawing
X90 - 1100*930
Loads and forces
Kalea Kosmos X90
Kalea Kosmos X90

Gen. Tolerances
SS-ISO 27681-1 m

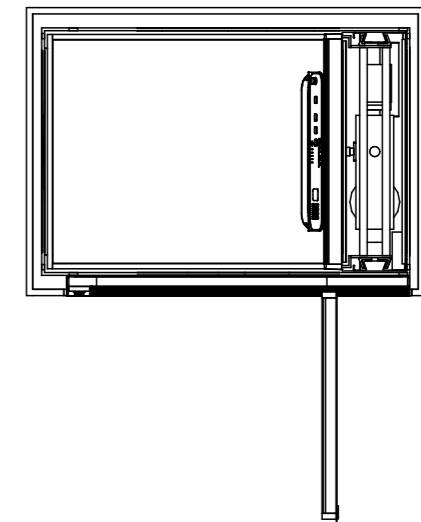
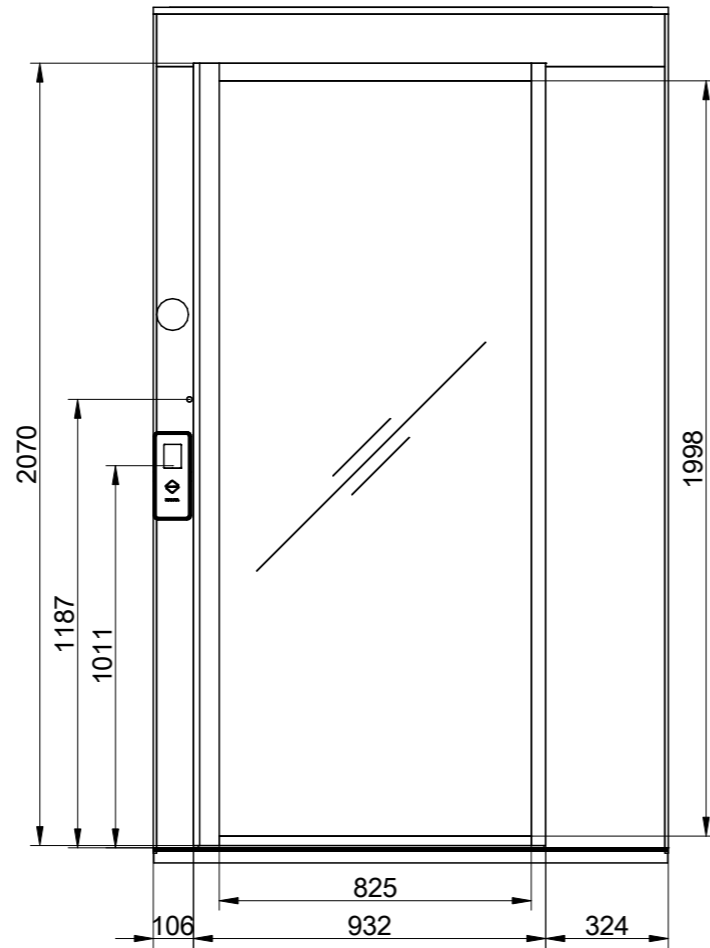
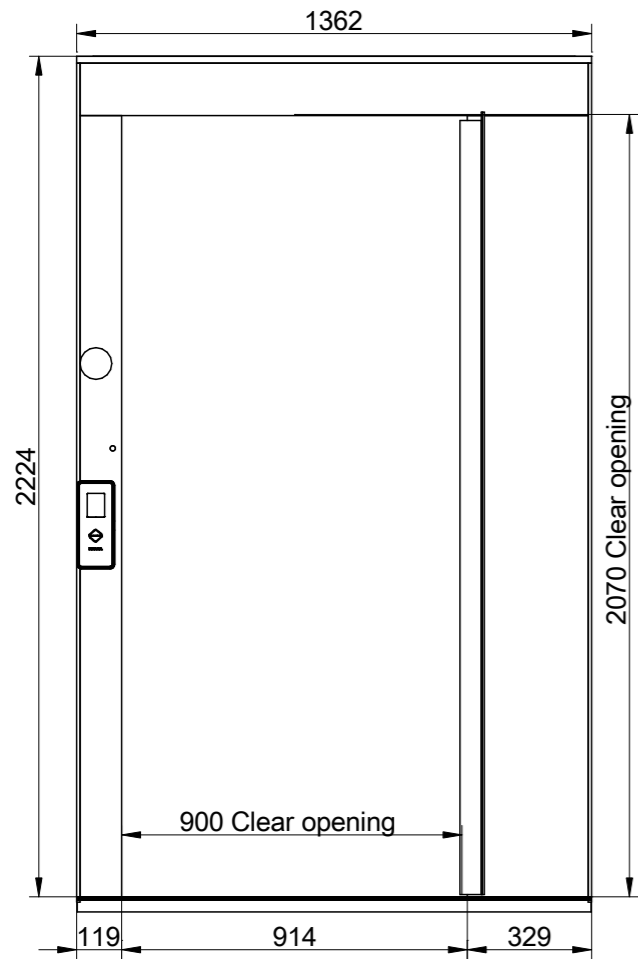
Date
2023-04-12
18:38

sheet
3 of 7

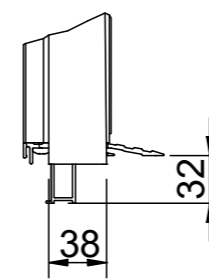
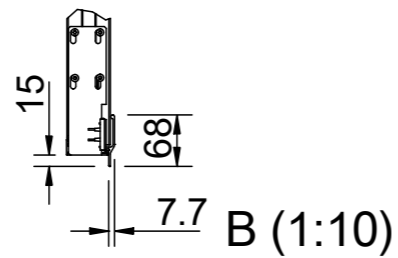
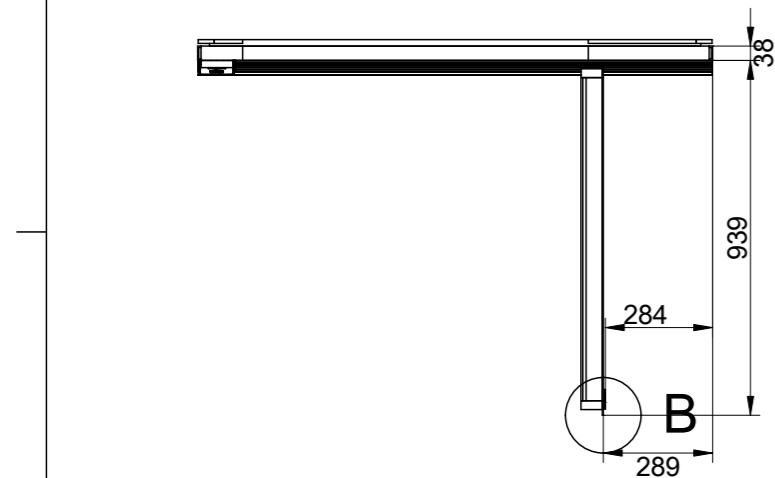
Scale:
A3, 1:60

6 5 4 3 2 1

Landing 0 and door front information
Scale: 1:20



Scale: 1:30



Landing	Door type
0	AL6
1	AL6
2	AL6

Approved by
builder:

European view placement:

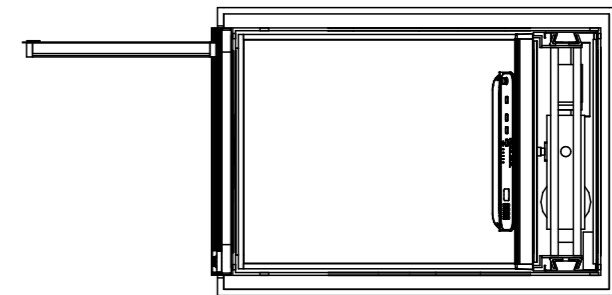
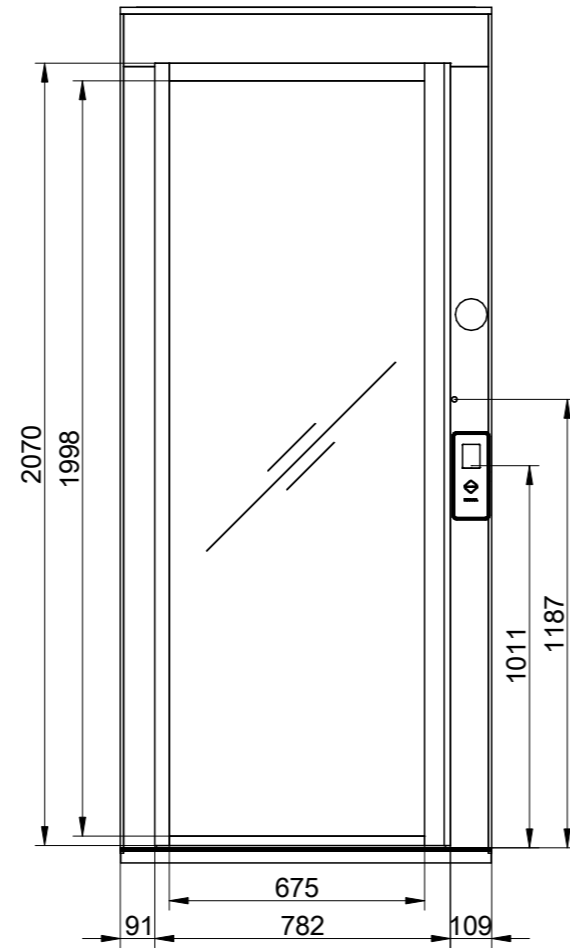
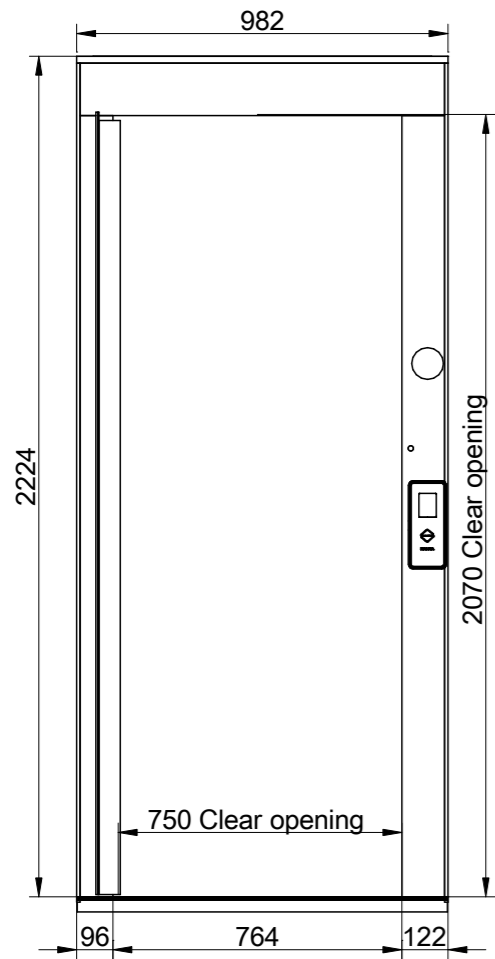


EOS ID
L00378503
Tender no
IN63229
Order no

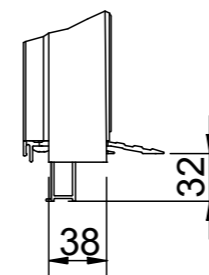
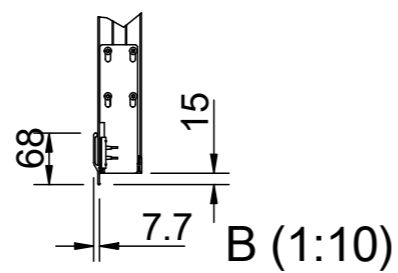
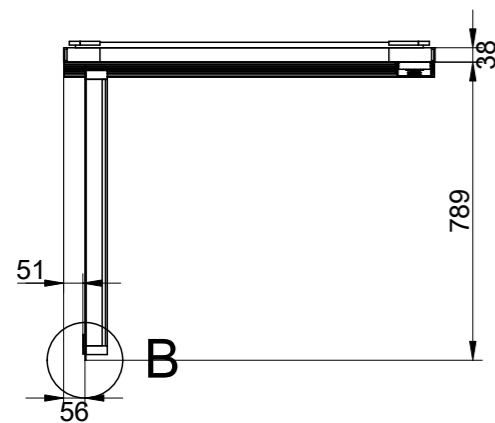
Principal drawing
X90 - 1100*930
Landing information
Kalea Kosmos X90
Kalea Kosmos X90

Gen. Tolerances SS-ISO 27681-1 m	Date 2023-04-12 18:38	sheet 4 of 7	Scale: A3, 1:60
-------------------------------------	-----------------------------	-----------------	--------------------

Landing 1 and door front information
Scale: 1:20



Scale: 1:30



A (1:5)

Landing	Door type
0	AL6
1	AL6
2	AL6

Approved by
builder:

European view placement:



EOS ID
L00378503
Tender no
IN63229
Order no

Principal drawing
X90 - 1100*930
Landing information
Kalea Kosmos X90
Kalea Kosmos X90

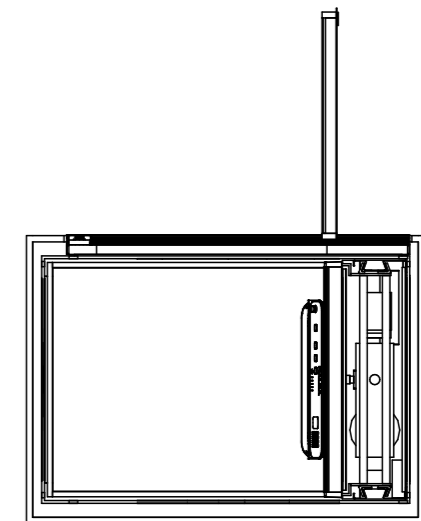
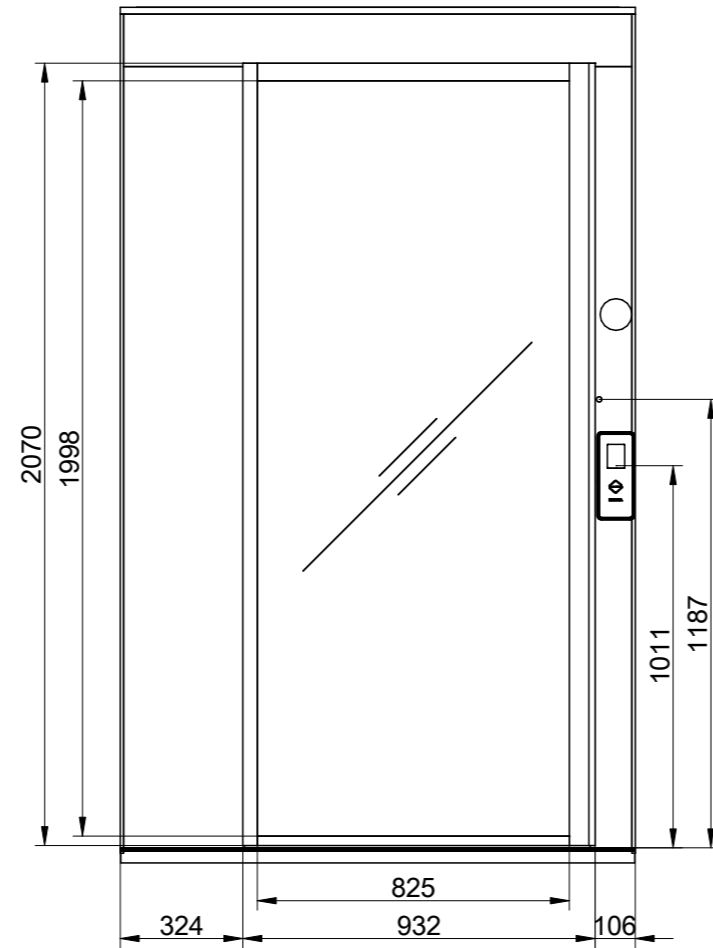
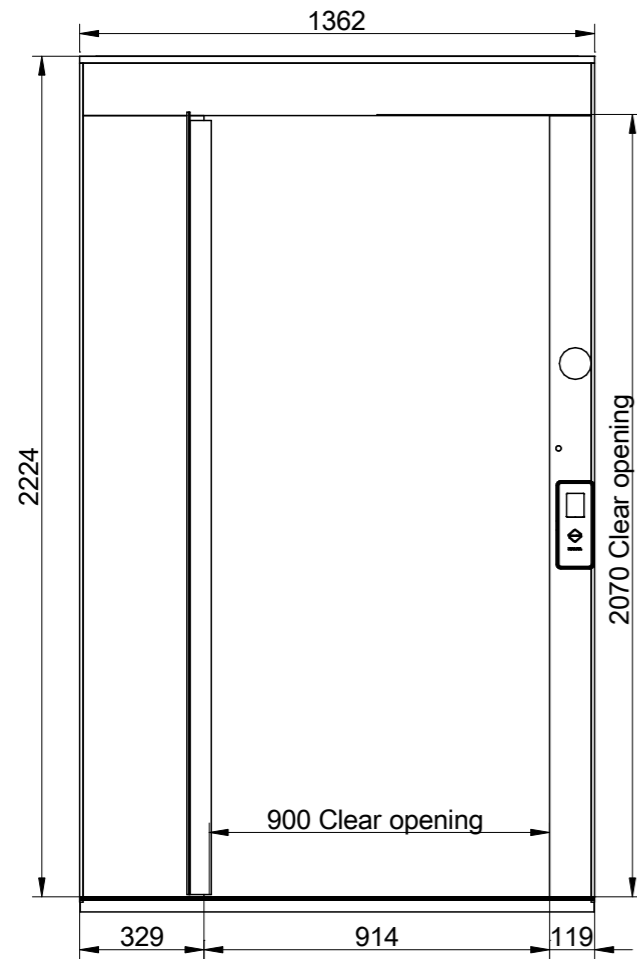
Gen. Tolerances
SS-ISO 27681-1 m

Date
2023-04-12
18:38

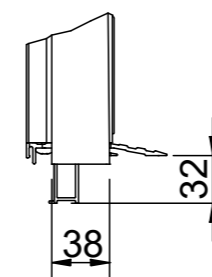
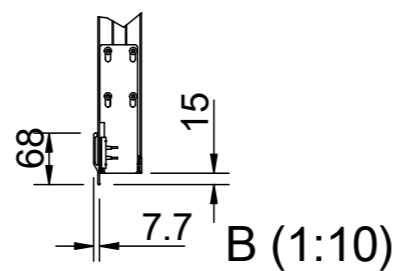
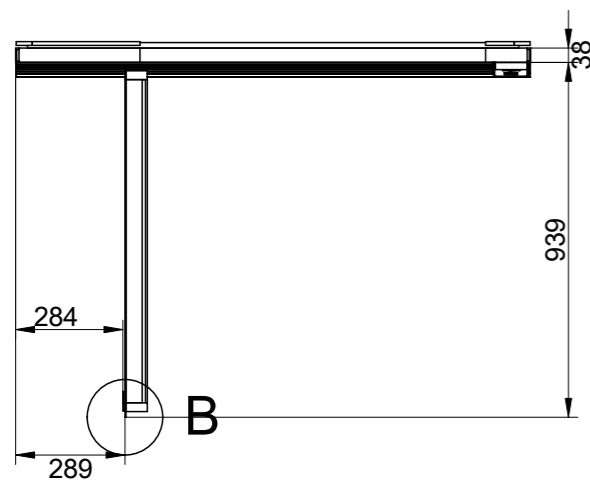
sheet
5 of 7

Scale:
A3, 1:60

Landing 2 and door front information
Scale: 1:20



Scale: 1:30



A (1:5)

Landing	Door type
0	AL6
1	AL6
2	AL6

Approved by
builder:

European view placement:



EOS ID
L00378503
Tender no
IN63229
Order no

Principal drawing
X90 - 1100*930
Landing information
Kalea Kosmos X90
Kalea Kosmos X90

Gen. Tolerances
SS-ISO 27681-1 m

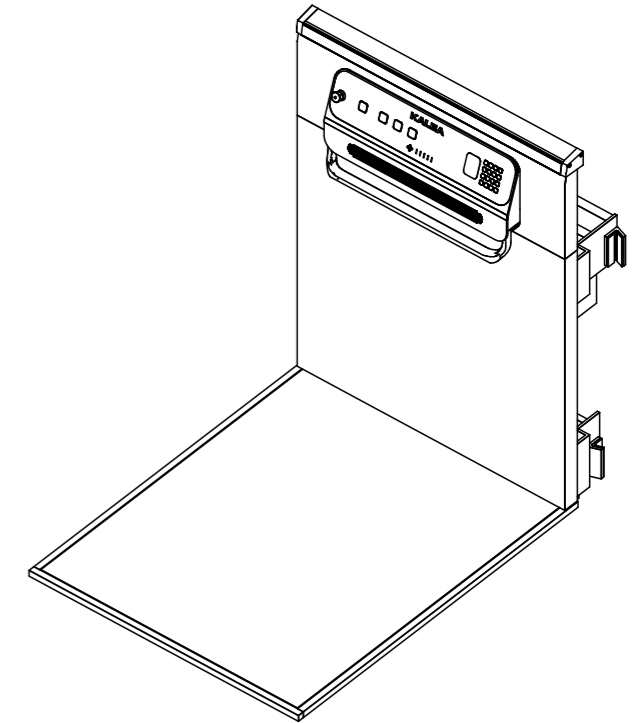
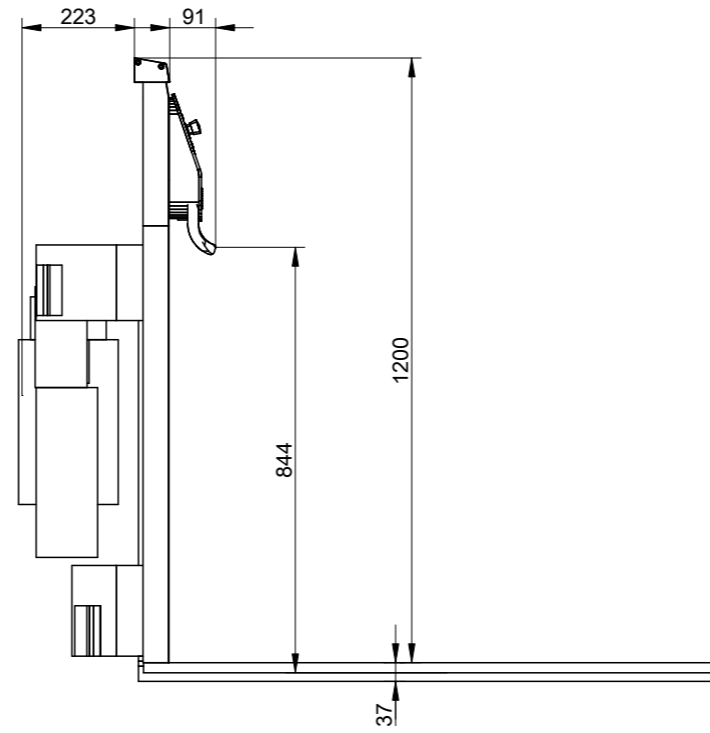
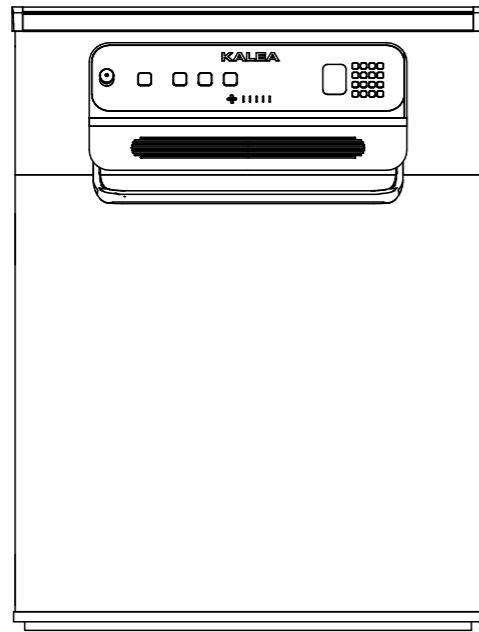
Date
2023-04-12
18:38

sheet
6 of 7

Scale:
A3, 1:60

6 5 4 3 2 1

Platform layout Scale: 1:20



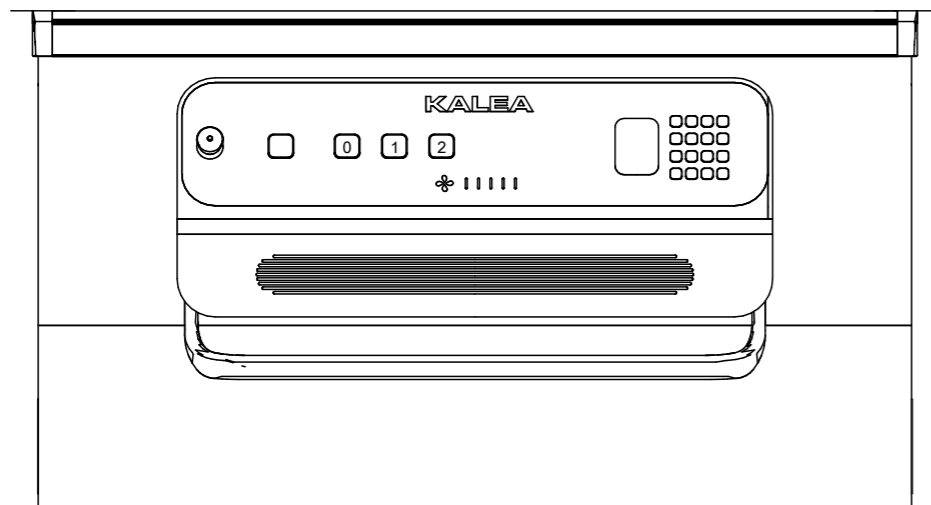
D

D

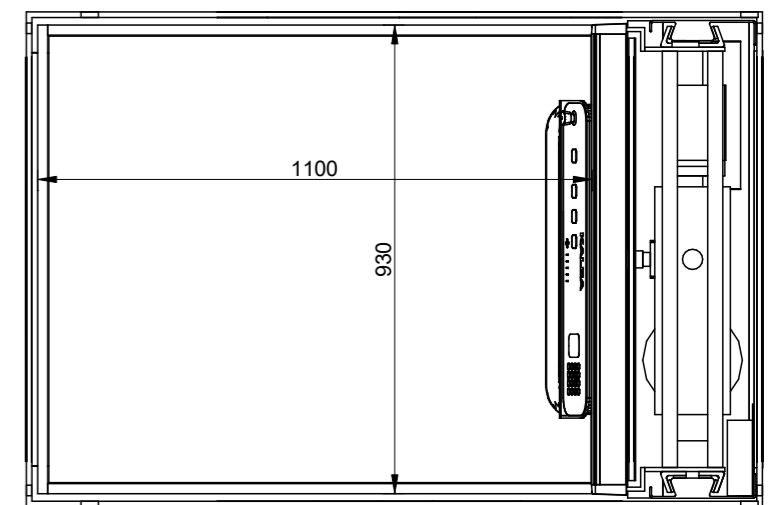
C

C

Button layout Scale: 1:8



Platform dimensions Scale: 1:15



B

B

A

A

6 5 4 3 2 1

Approved by
builder:

European view placement:



EOS ID
L00378503

Tender no
IN63229

Order no

Gen. Tolerances
SS-ISO 27681-1 m

Principal drawing
X90 - 1100*930
Platform layout
Kalea Kosmos X90
Kalea Kosmos X90

Date
2023-04-12
18:38

sheet
7 of 7

Scale:
A3, 1:60