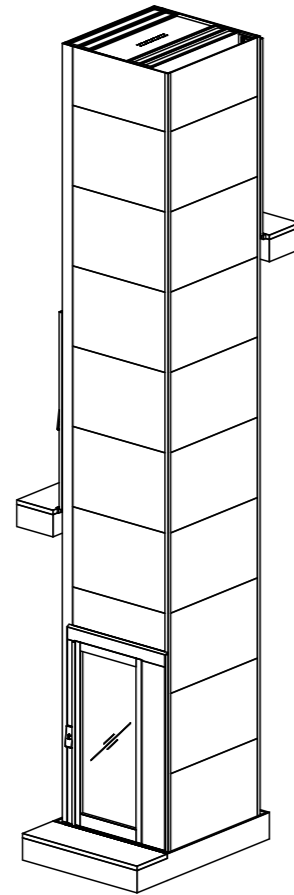
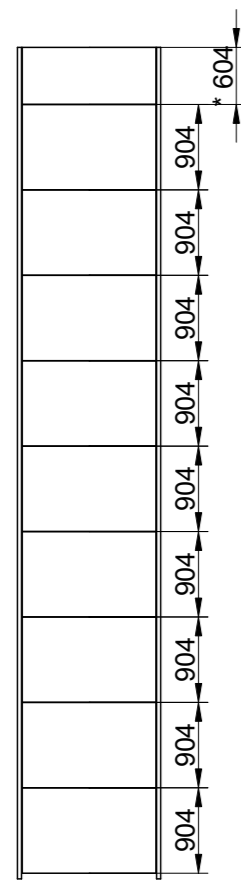


Cutout dimension see sheet  
2, forces see sheet 3

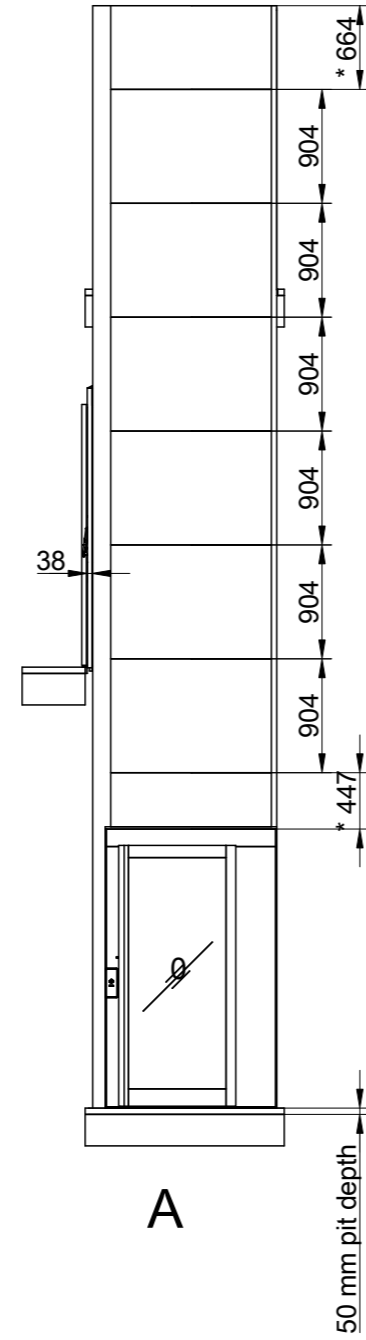
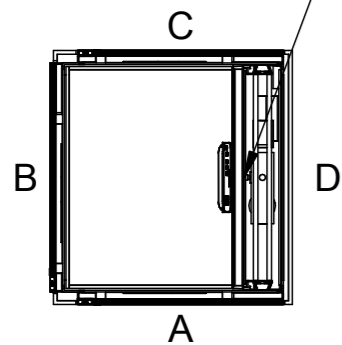
\*To be adapted on site  
\*\*Customized panel



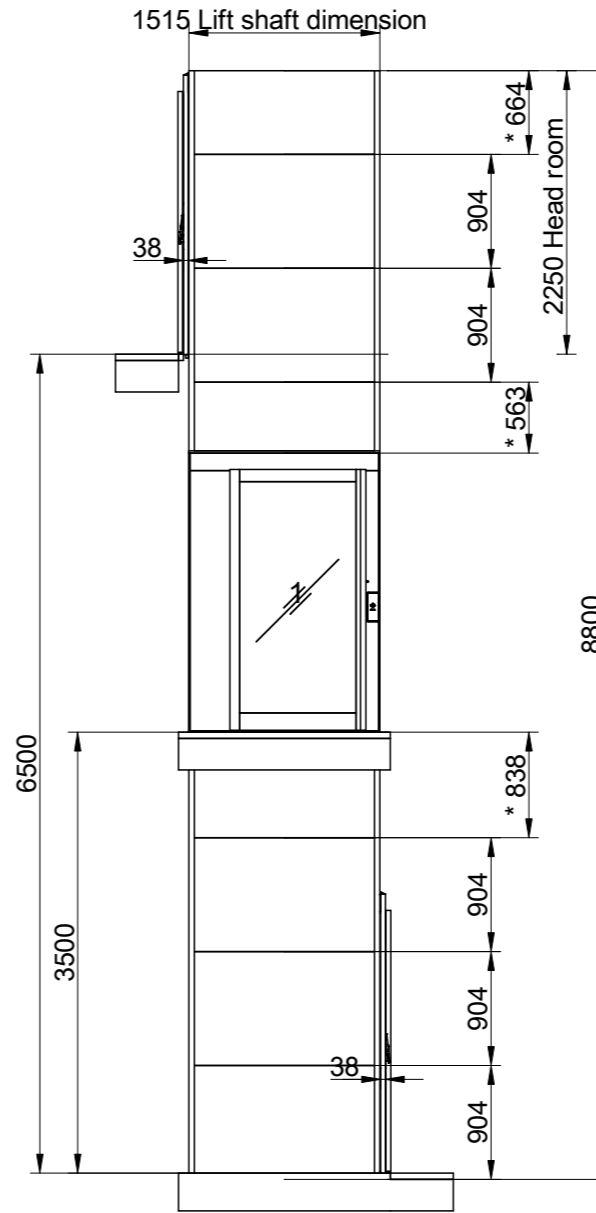
E

Positioning of machinery:

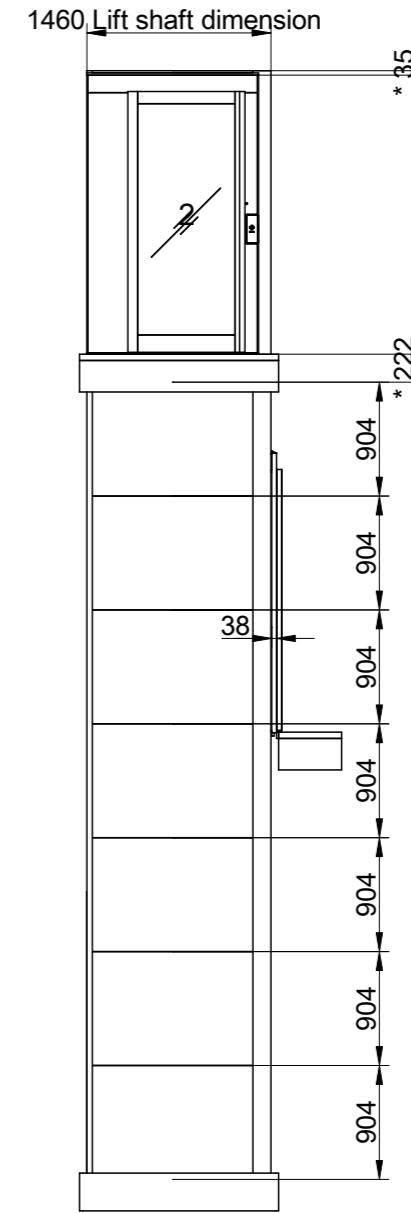
E=Shield wall



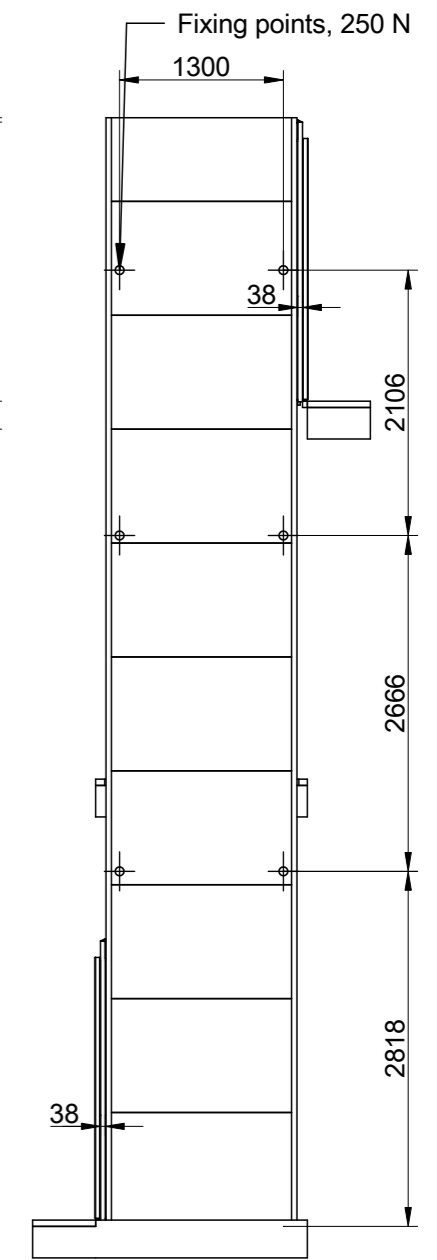
A



B



C



D

Options  
Freq. 1x230/240V 50-60Hz 16A Soft  
Capacity: 400,00 kg

Approved by  
builder:

European view placement:



EOS ID  
L00378493  
Tender no  
IN63220  
Order no

Principal drawing  
X60 - 1100\*1467  
Shaft drawing  
Kalea Kosmos X60

Gen. Tolerances  
SS-ISO 27681-1 m

Date  
2023-04-12  
13:00

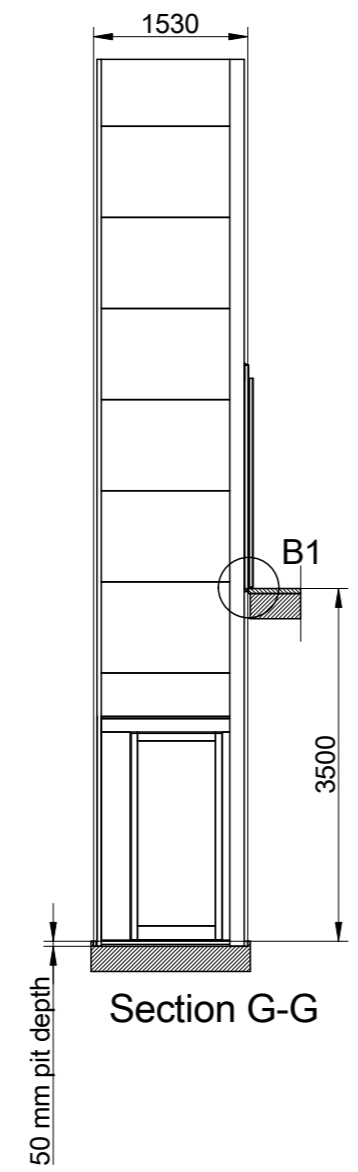
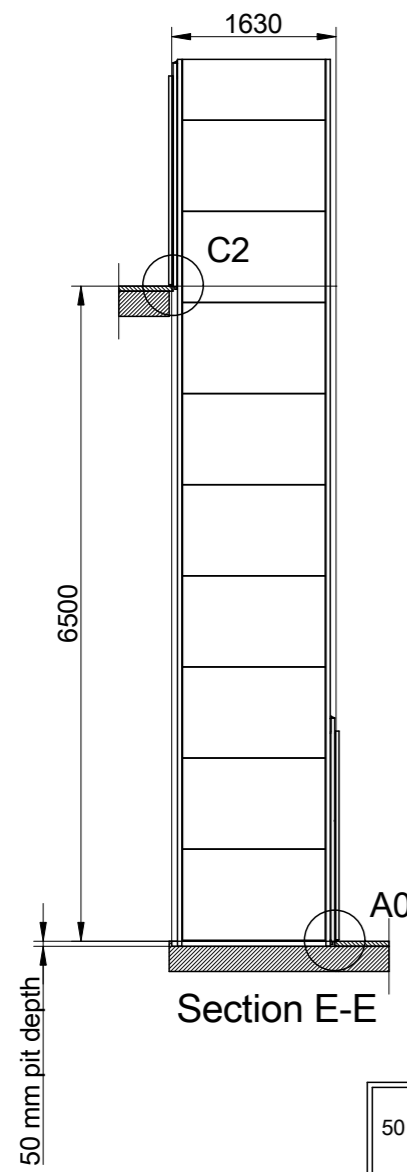
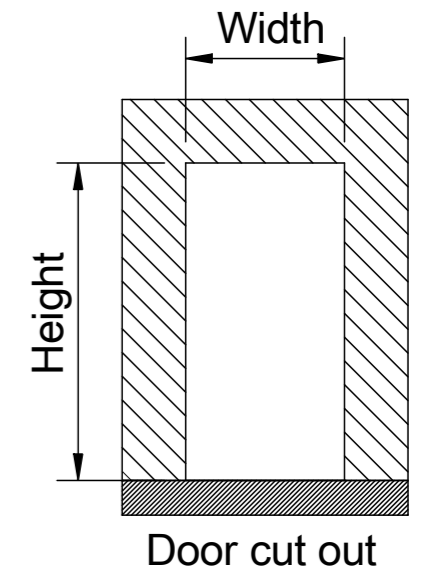
sheet  
1 of 7

Scale:  
A3, 1:60

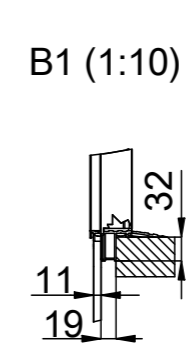
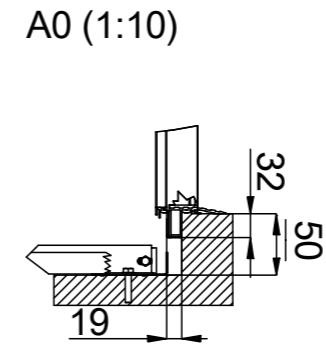
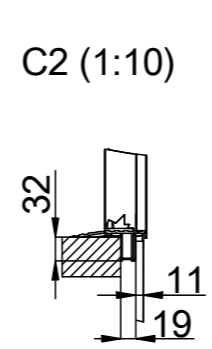
# Shaft cutout sizes

Lift unit installed within a shaft by others

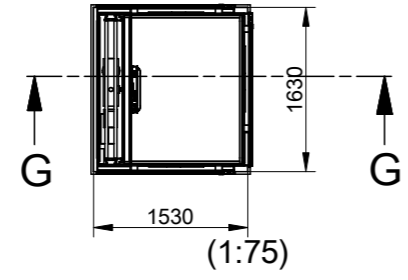
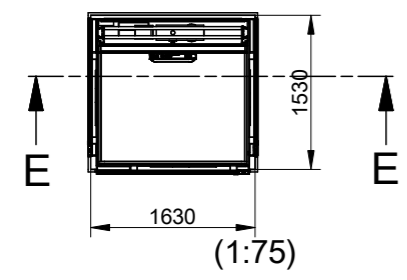
Door front cutout sizes		
Landing	Width	Height
A 0	1530	2250
B 1	1630	2250
C 2	1530	2250



50 mm pit depth + 10 mm, - 0 mm.  
Bottom surface must be flat



Incoming power supply is connected at landing:  
For wiring and power supply, refer to the unit's wiring diagrams.  
Ceiling shaft lighting, is independent from the power cable and pulled back into the trench's upper part. Shaft lighting > 50 lux.  
**NOTE!** An effective emergency telephone is required for approved inspection.  
The purchaser is responsible for an active phone line being present prior to the lift installation.  
The incoming telephone line is connected to CiLow (TELE). Refer to wiring diagram.  
The emergency signal device is powered by the lift's own battery in the event of a power failure.  
The lift must be equipped with a two-way communication, either via the standard telephone or via the lift telephone, which automatically calls the alarm control center or the like.  
**NOTE!** A lift featuring a frequency converter cannot be directly connected to a RCD.  
**NOTE!** The platform lift shall be connected to a dedicated power supply conforming with EN 60204-1:2018, terminating at a main switch and fuse or overload with a means to lock it in the 'off' position or disconnected state.



Approved by builder:  
\_\_\_\_\_  
European view placement:



EOS ID  
L00378493  
Tender no  
IN63220  
Order no

Principal drawing  
X60 - 1100\*1467  
Cut out sizes  
Kalea Kosmos X60

Gen. Tolerances SS-ISO 27681-1 m	Date 2023-04-12 13:00	sheet 2 of 7	Scale: A3, 1:60
-------------------------------------	-----------------------------	-----------------	--------------------

6 5 4 3 2 1

Loads sustained by shaft and platform  
and fixing points bottom frame

Recommended positioning of fixing points.  
Loads per fixing point, F=250 N

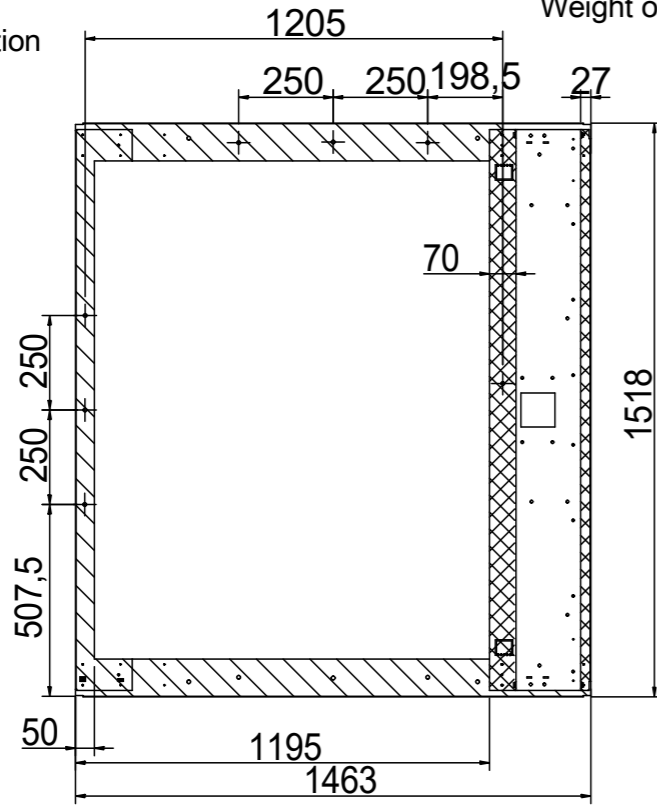
A (1:5)



L section force: 7,5 kN  
L section load: 24,59  
kN/m<sup>2</sup>  
Weight on L-section  
area: 750 kg

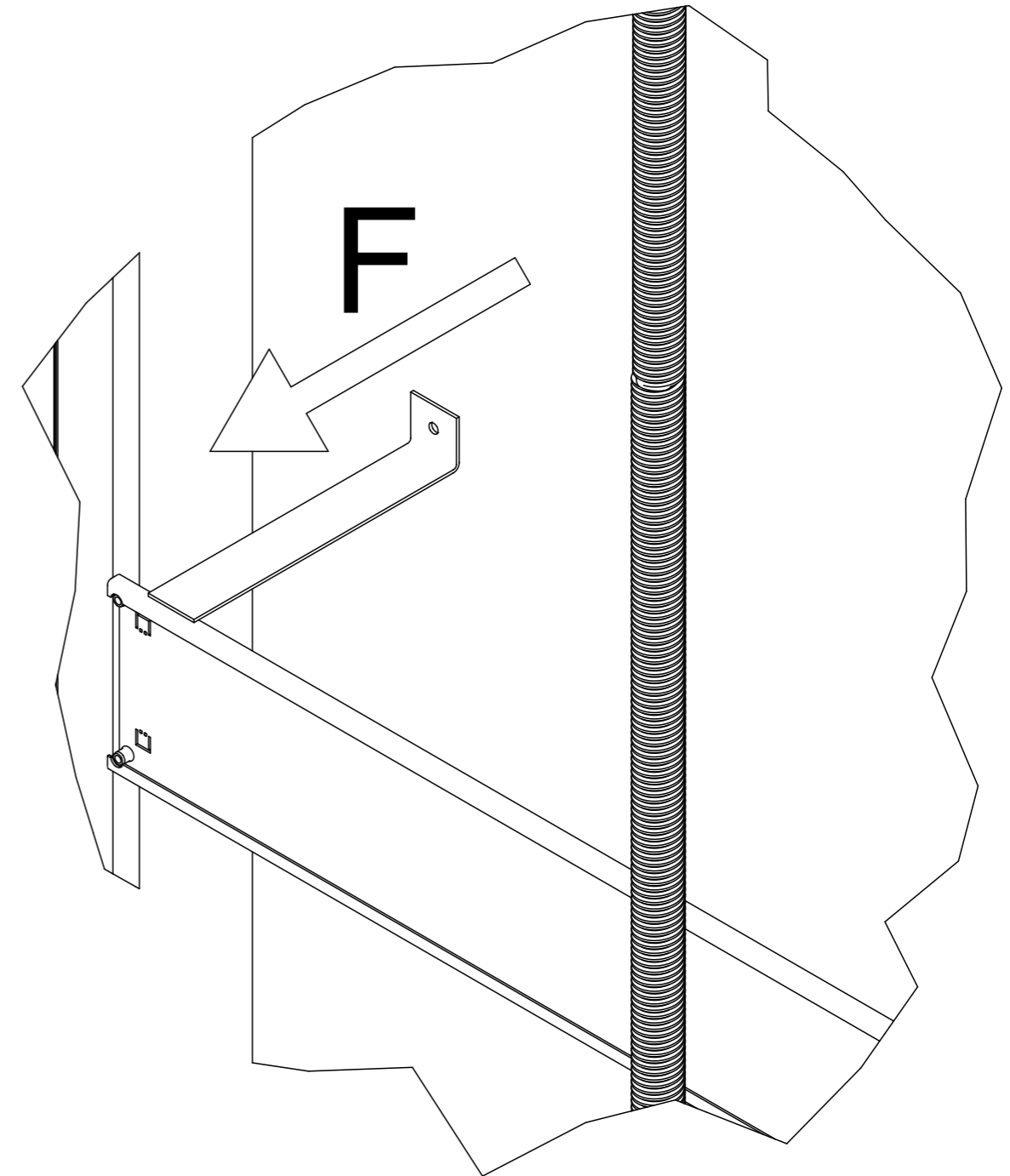
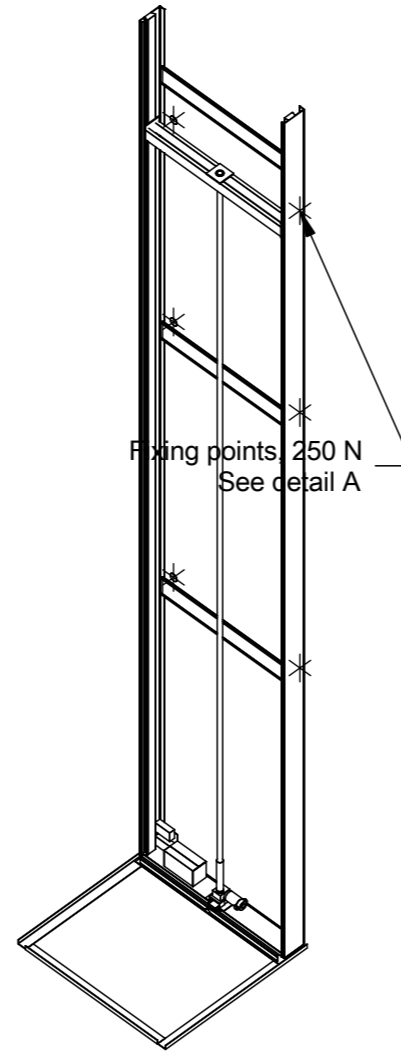


Mast force: 7,57 kN  
Mast load: 61,05 kN/m<sup>2</sup>  
Weight on mast area: 757 kg



Scale: 1:20

Total weight of the lift equipment  
(including rated load): 1507 kg



D

C

B

A

D

C

B

A

Approved by  
builder:

European view placement:



EOS ID  
L00378493  
Tender no  
IN63220  
Order no

Principal drawing  
X60 - 1100\*1467  
Loads and forces  
Kalea Kosmos X60

Gen. Tolerances  
SS-ISO 27681-1 m

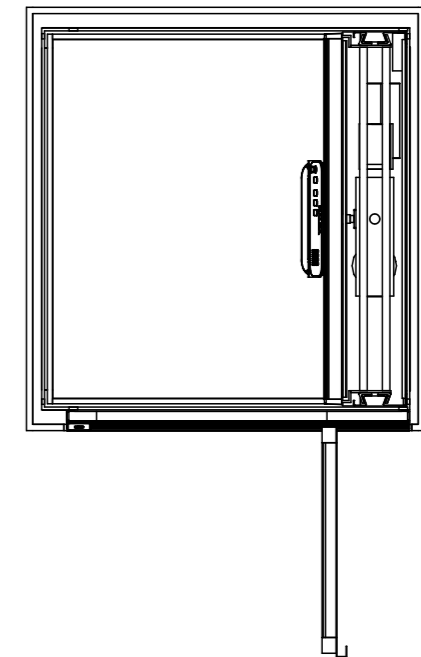
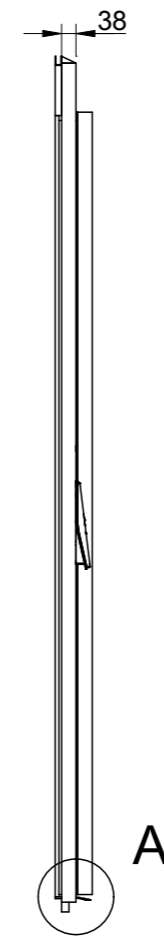
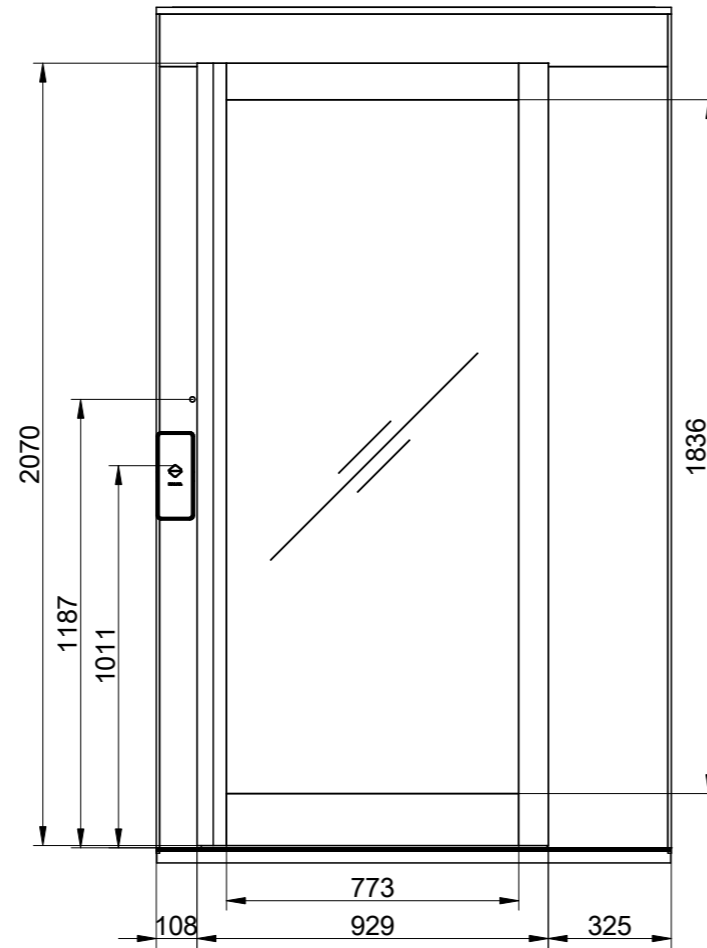
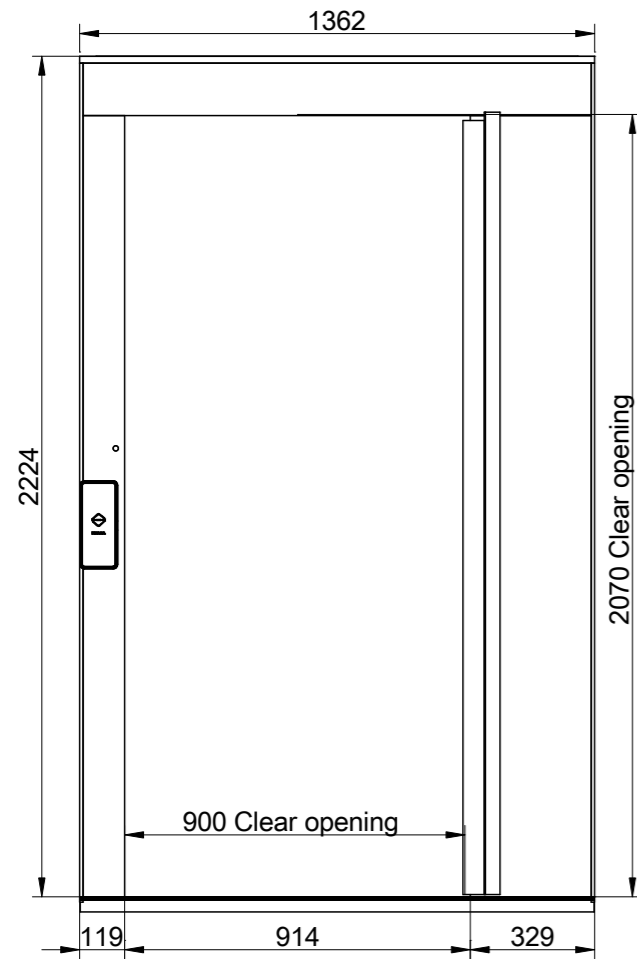
Date  
2023-04-12  
13:00

sheet  
3 of 7

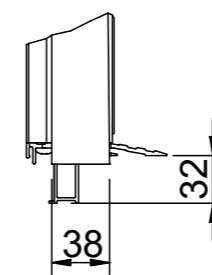
Scale:  
A3, 1:60

6 5 4 3 2 1

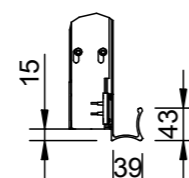
Landing 0 and door front information  
Scale: 1:20



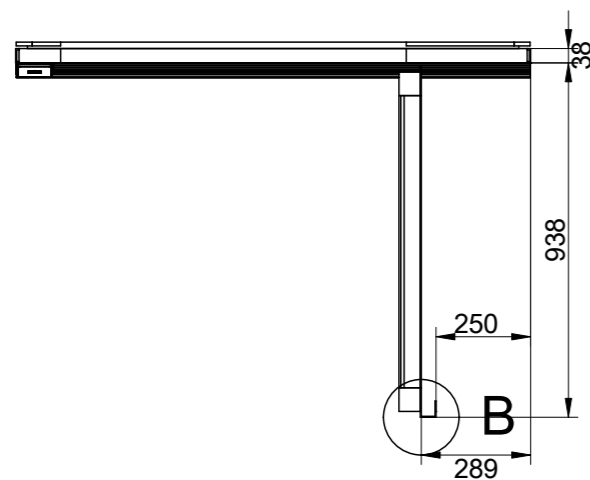
Scale: 1:30




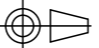
A (1:5)



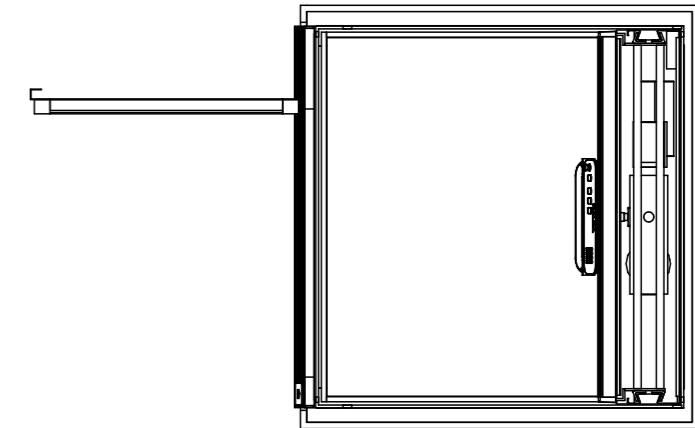
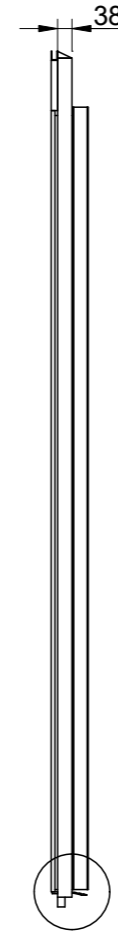
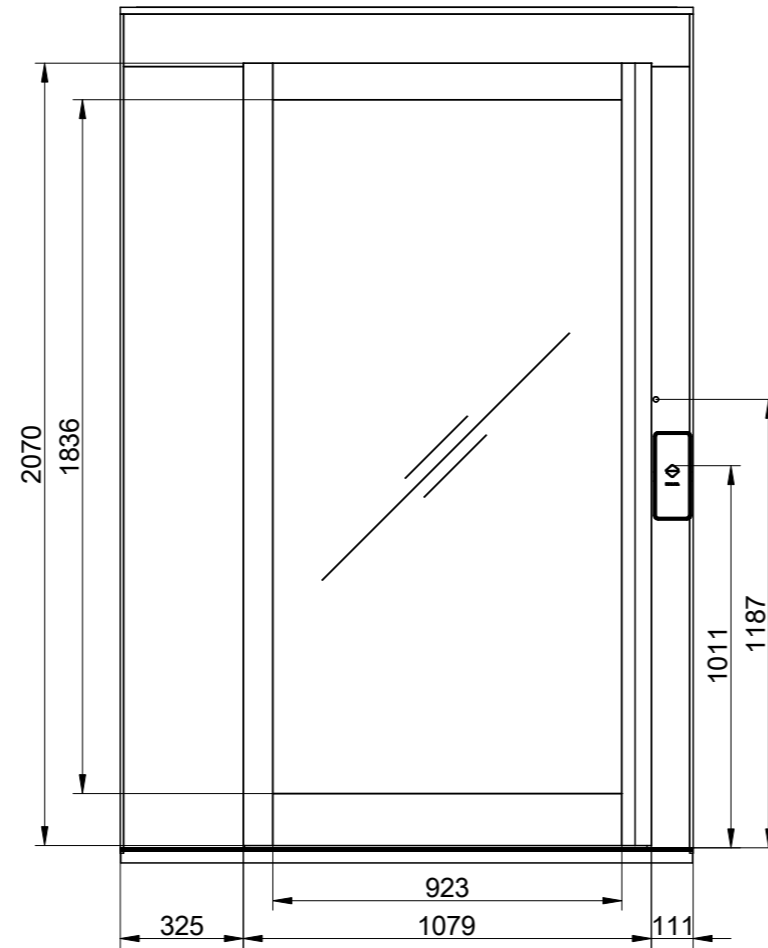
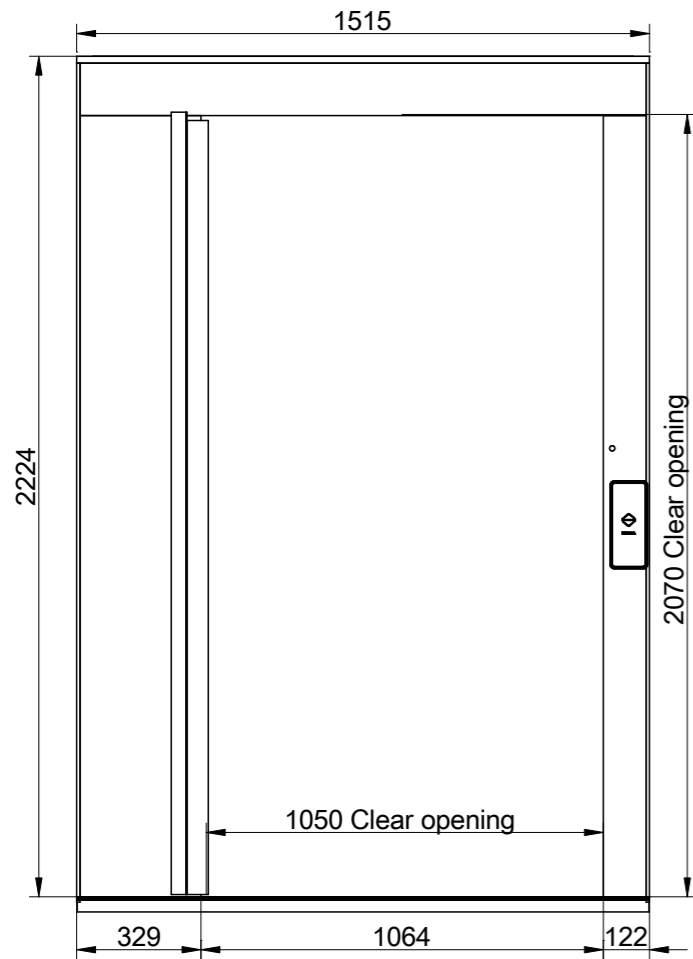
B (1:10)



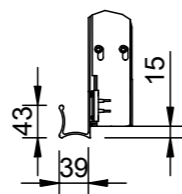
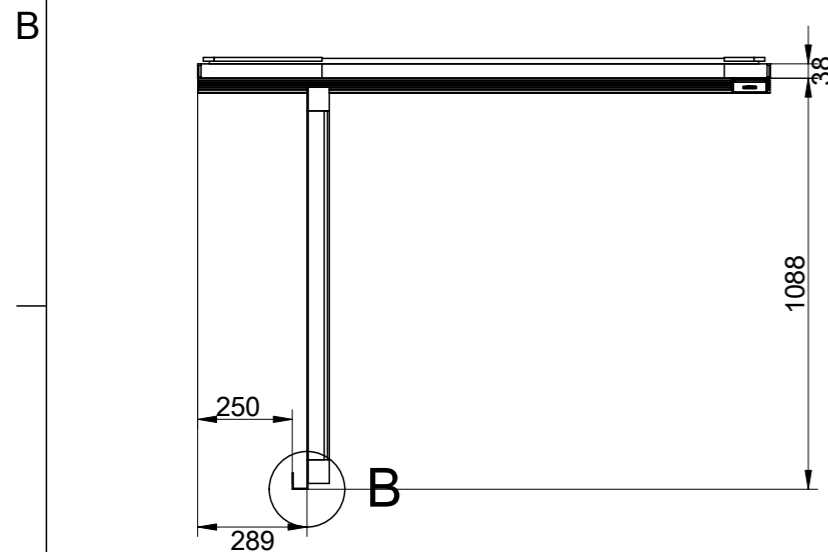
Landing	Door type
0	AL5
1	AL5
2	AL5

Approved by builder:  _____	<b>KALEA</b> 	EOS ID L00378493		<b>Principal drawing</b> X60 - 1100*1467 Landing information Kalea Kosmos X60	
		Tender no IN63220			
European view placement: 		Order no			
		Gen. Tolerances SS-ISO 27681-1 m	Date 2023-04-12 13:00	sheet 4 of 7	Scale: A3, 1:60

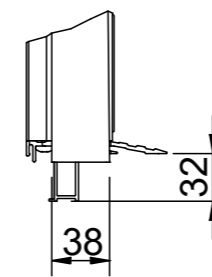
Landing 1 and door front information  
Scale: 1:20



Scale: 1:30



B (1:10)



A (1:5)

Landing	Door type
0	AL5
1	AL5
2	AL5

Approved by  
builder:

European view placement:



EOS ID  
L00378493  
Tender no  
IN63220  
Order no

Principal drawing  
X60 - 1100\*1467  
Landing information  
Kalea Kosmos X60

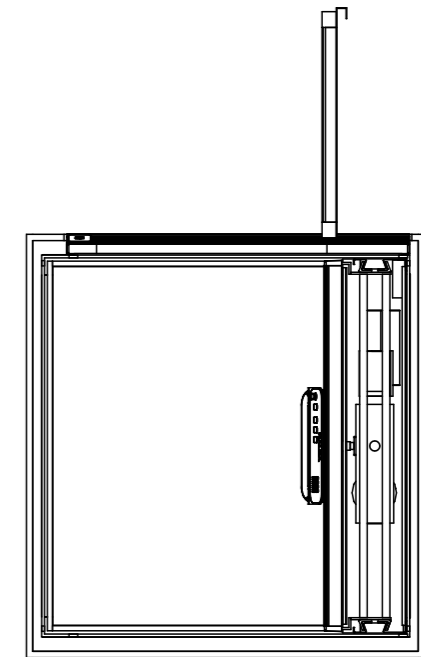
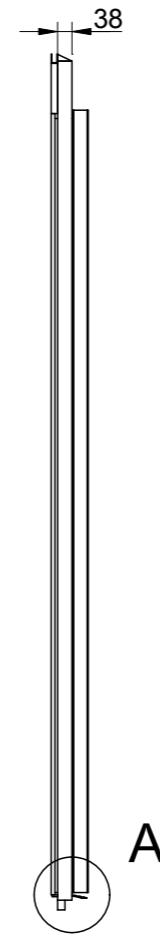
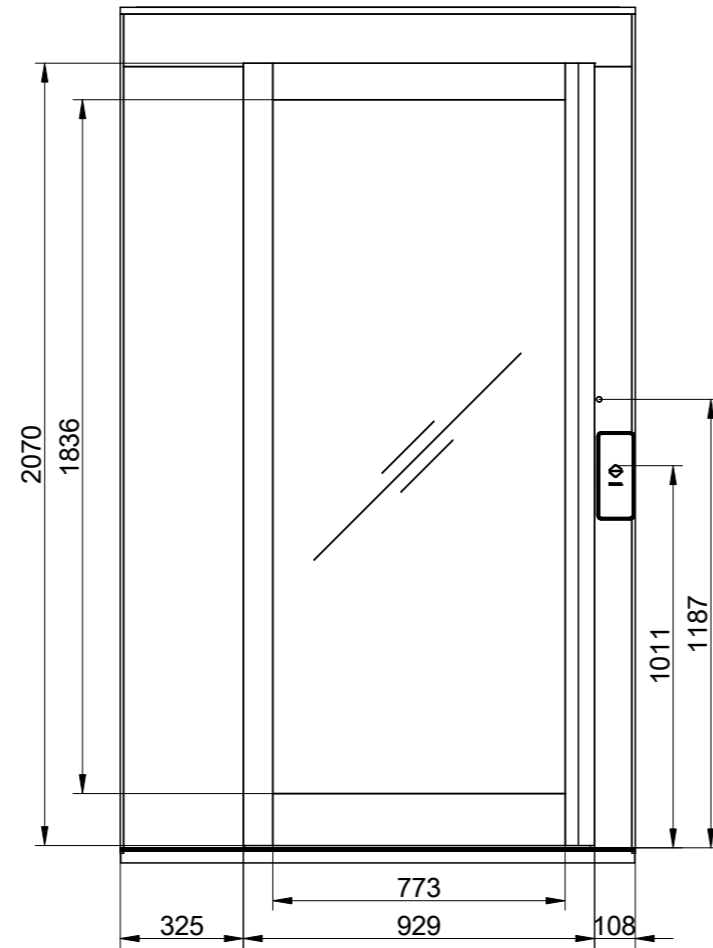
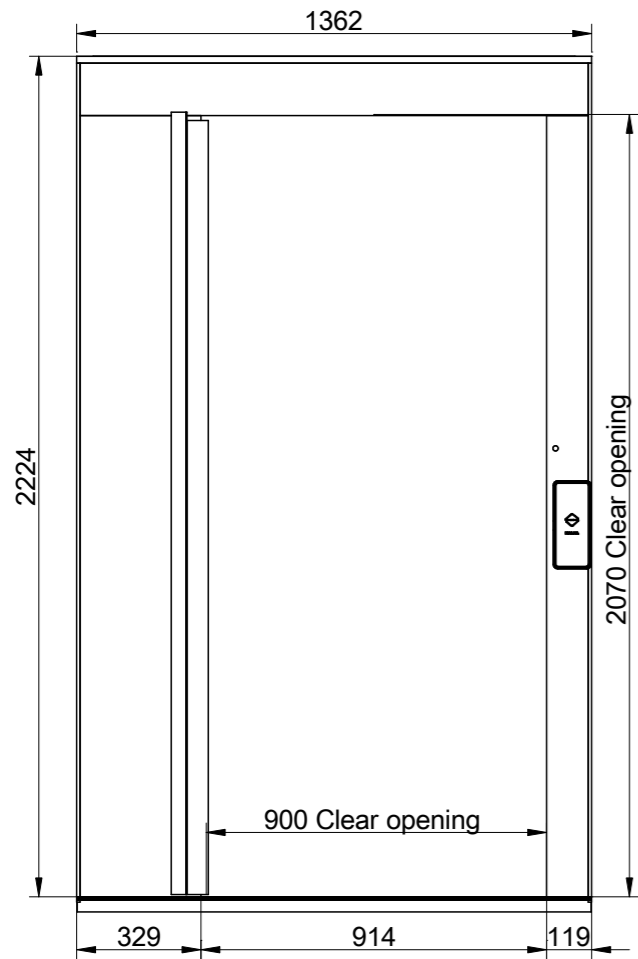
Gen. Tolerances  
SS-ISO 27681-1 m

Date  
2023-04-12  
13:00

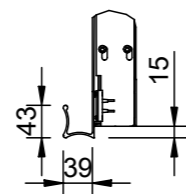
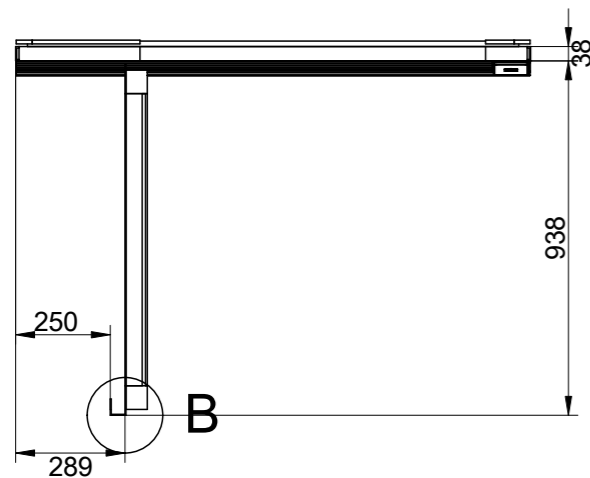
sheet  
5 of 7

Scale:  
A3, 1:60

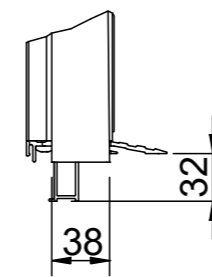
Landing 2 and door front information  
Scale: 1:20



Scale: 1:30


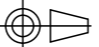


B (1:10)



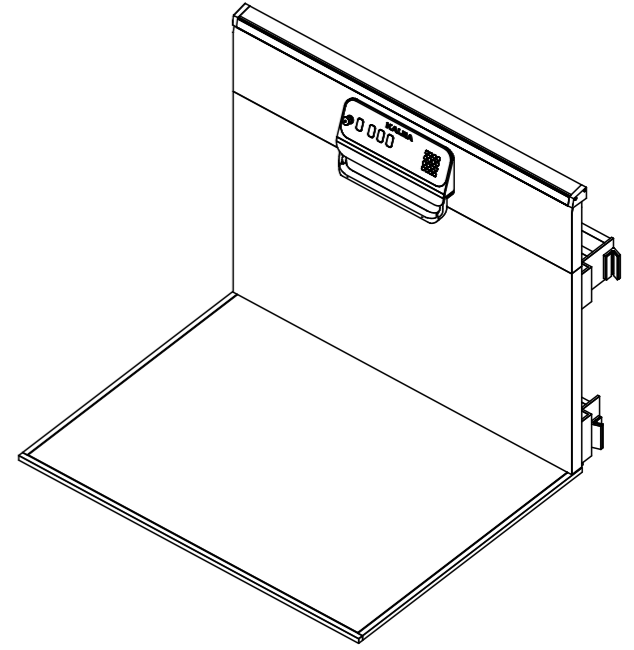
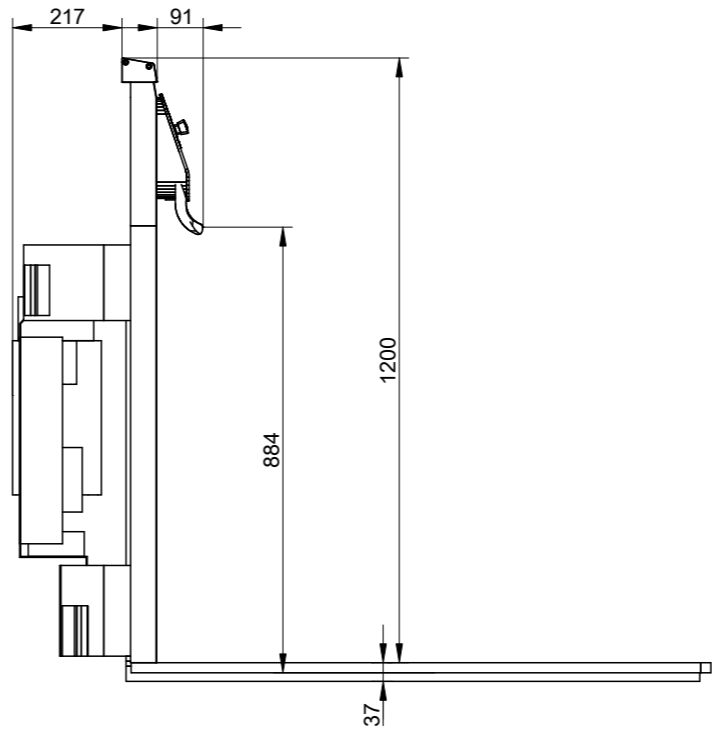
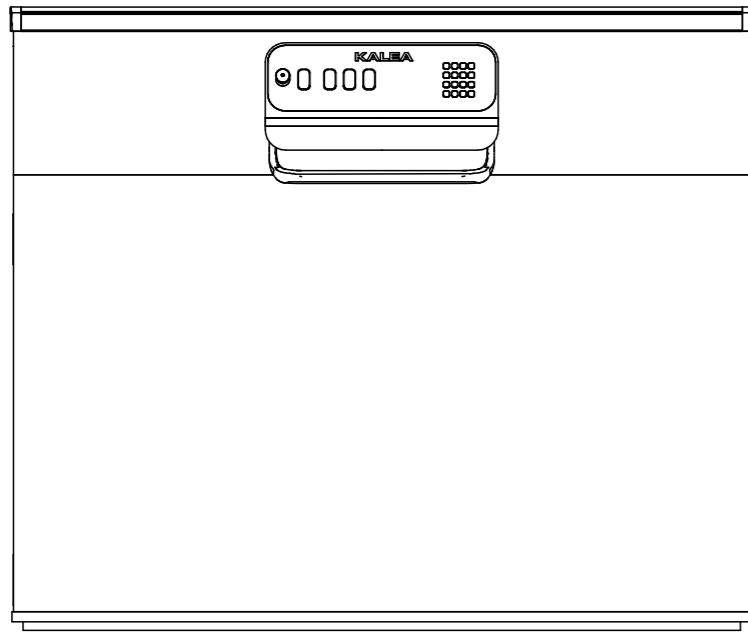
A (1:5)

Landing	Door type
0	AL5
1	AL5
2	AL5

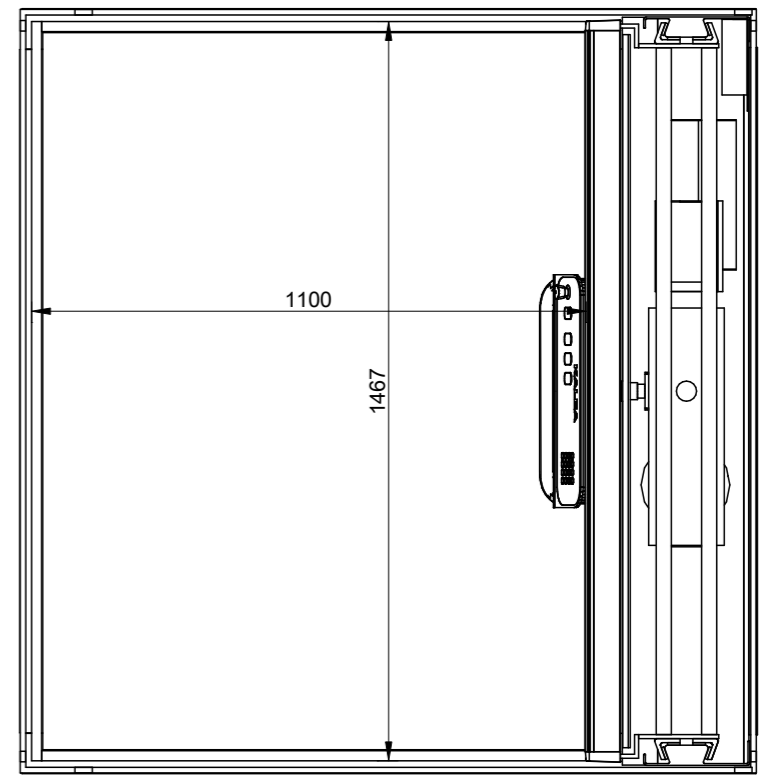
Approved by builder:  _____	<b>KALEA</b> 	EOS ID L00378493		<b>Principal drawing</b> X60 - 1100*1467 Landing information Kalea Kosmos X60	
		Tender no IN63220			
European view placement: 		Order no			
		Gen. Tolerances SS-ISO 27681-1 m	Date 2023-04-12 13:00	sheet 6 of 7	Scale: A3, 1:60

6 5 4 3 2 1

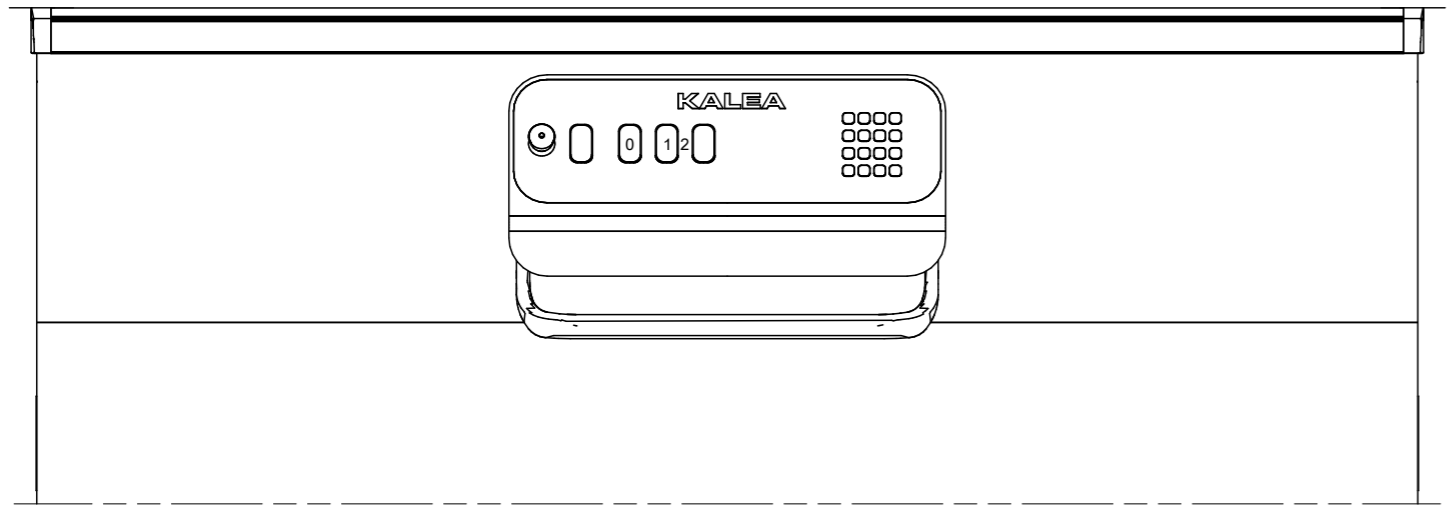
**Platform layout**  
Scale: 1:15



**Platform dimensions**  
Scale: 1:15



**Button layout**  
Scale: 1:8



D

C

B

A

D

C

B

A

Approved by  
builder:  
\_\_\_\_\_



EOS ID L00378493	Principal drawing X60 - 1100*1467 Platform layout Kalea Kosmos X60		
Tender no IN63220			
Order no			
Gen. Tolerances SS-ISO 27681-1 m	Date 2023-04-12 13:00	sheet 7 of 7	Scale: A3, 1:60

European view placement:

6 5 4 3 2 1