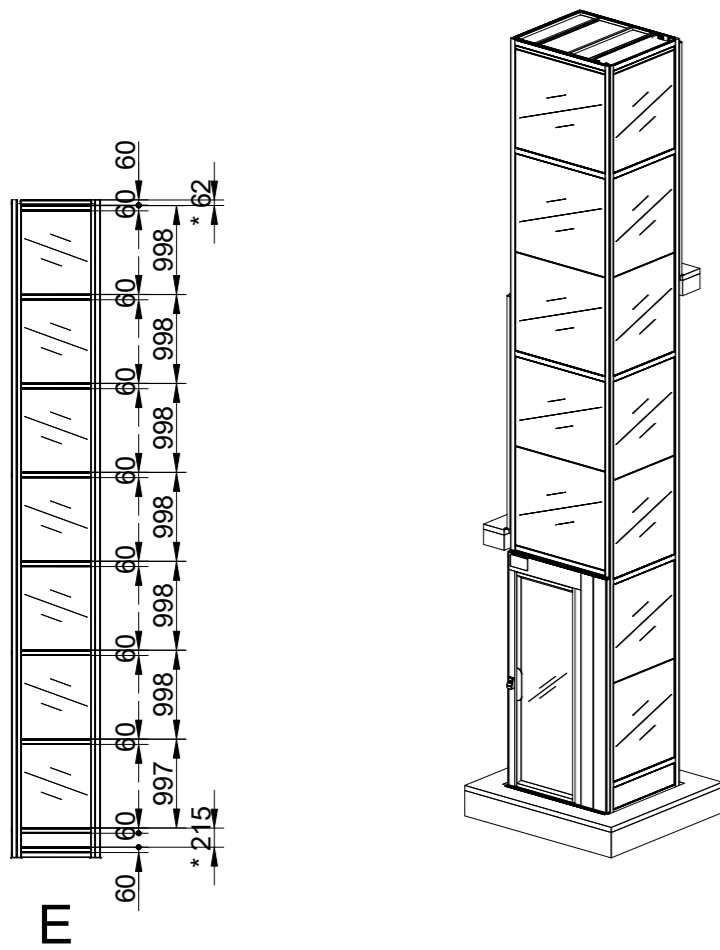
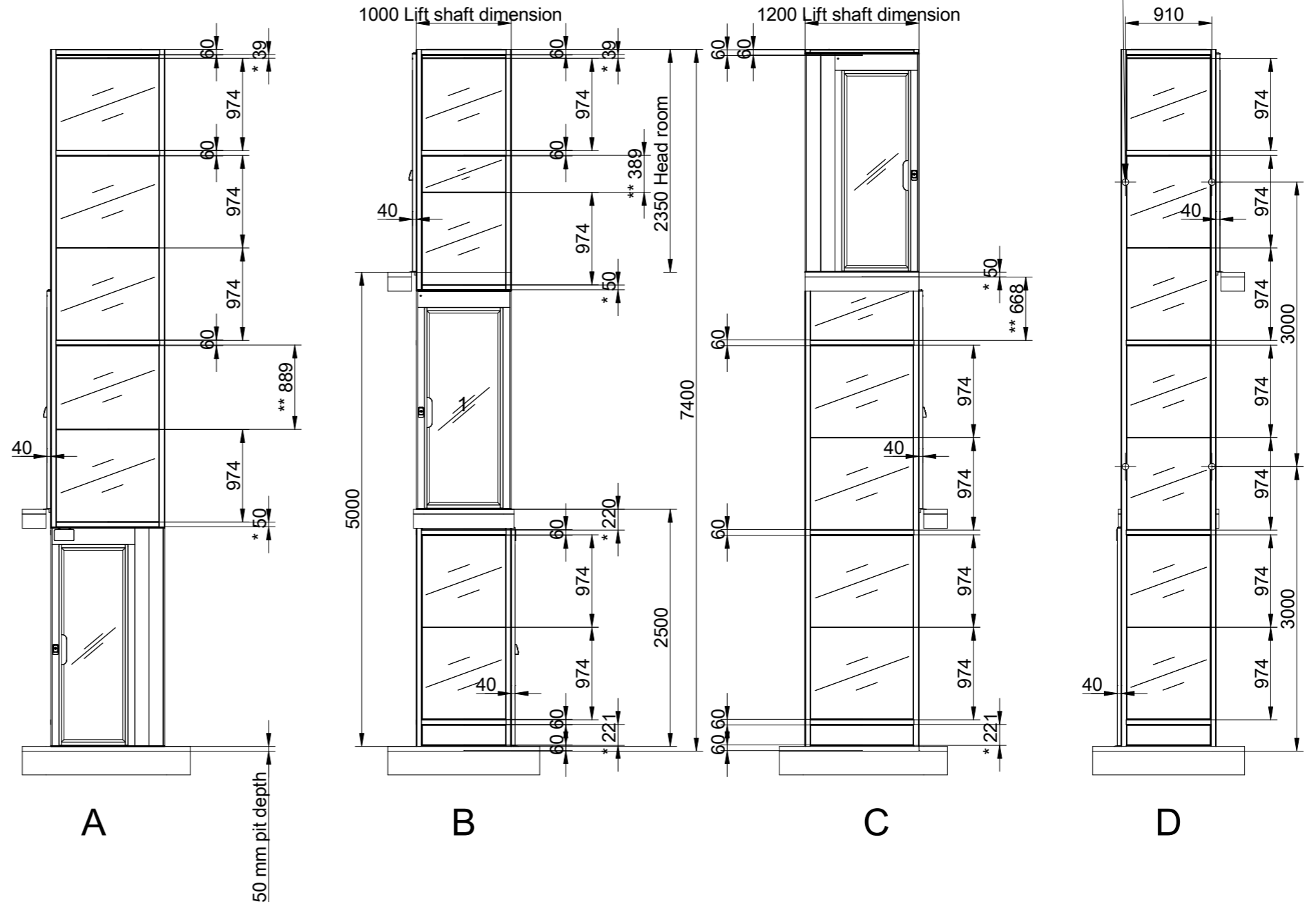
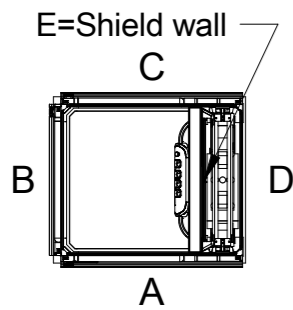


Cutout dimension see sheet
2, forces see sheet 3

*To be adapted on site
**Customized panel



Positioning of machinery:



Options
300 kg
Power supply 1x230

Approved by builder:

European view placement:



Tender no
202307101772

Gen. Tolerances
SS-ISO 27681-1 m

Principal drawing

1 - 825*950

Shaft drawing

Johanna Aaw Kalea 3 pl

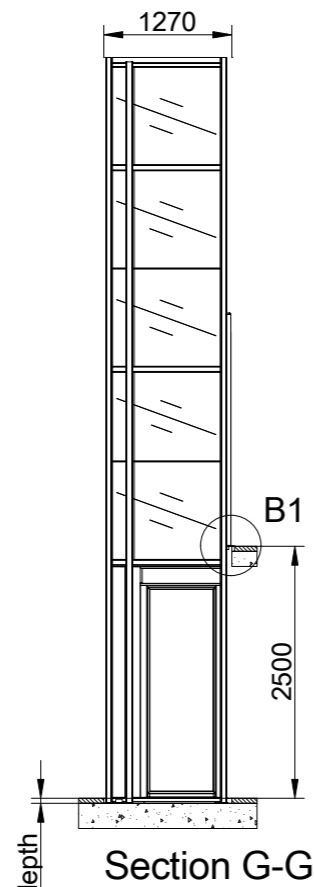
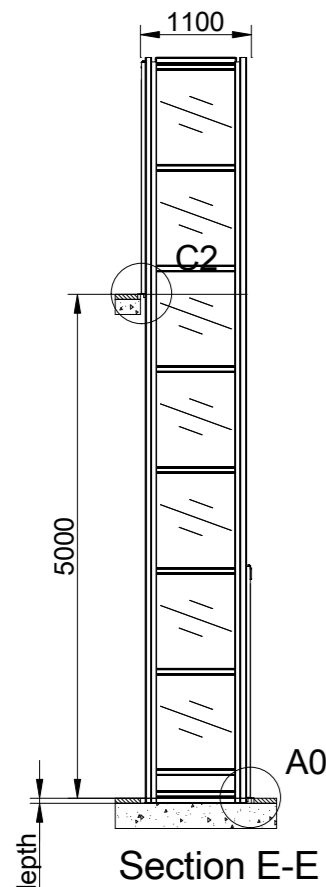
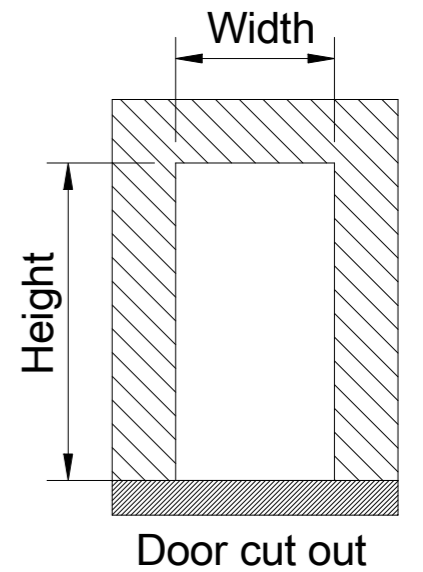
Date
2023-07-10
05:56

sheet
1 of 7

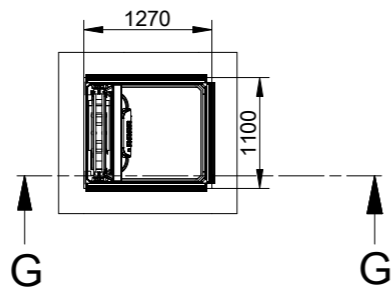
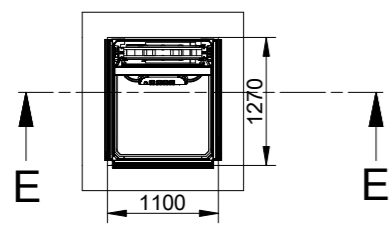
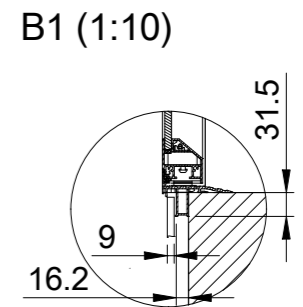
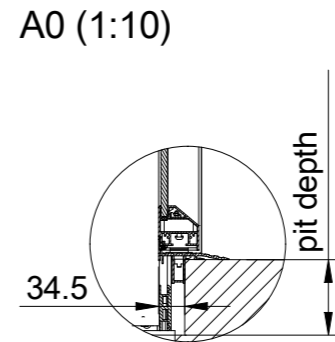
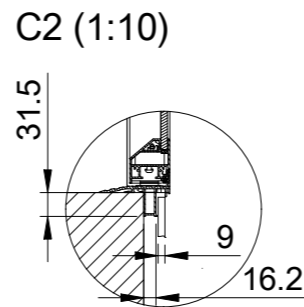
Scale:
A3, 1:50

Shaft cutout sizes

Door front cutout sizes		
Landing	Width	Height
A 0	1270	2315
B 1	1100	2315
C 2	1270	2315



50 mm pit depth + 10 mm, - 0 mm.
 Bottom surface must be flat



Approved by builder:



Tender no
 202307101772

Principal drawing
 1 - 825*950
 Cut out sizes
 Johanna Aaw Kalea 3 pl

Gen. Tolerances
 SS-ISO 27681-1 m

Date
 2023-07-10
 05:56

sheet
 2 of 7

Scale:
 A3, 1:50

European view placement:

6 5 4 3 2 1

Loads sustained by shaft and platform
and fixing points bottom frame

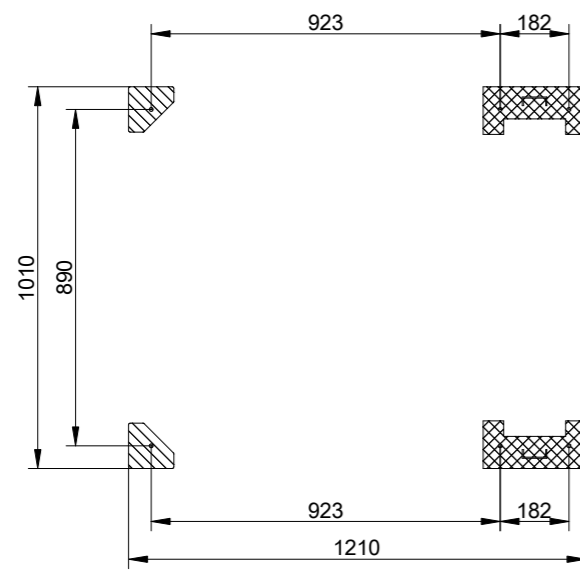
Loads per fixing point:
 F=3200 N if the distance between the fixing points is 2999 mm or less
 F=2200 N if the distance between the fixing points is 3000 mm or more



L section force: 4.32 kN
 L section load:
 Weight on L-section
 area: 432 kg

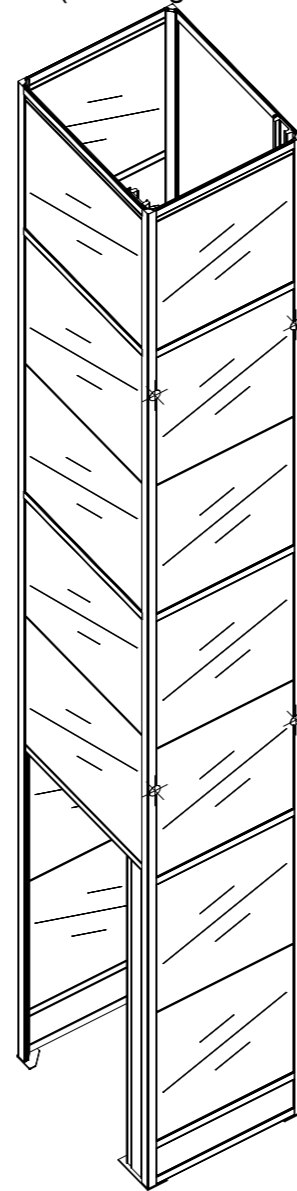


Mast force: 12.25 kN
 Mast load:
 Weight on mast area (including rated load) 1225 kg

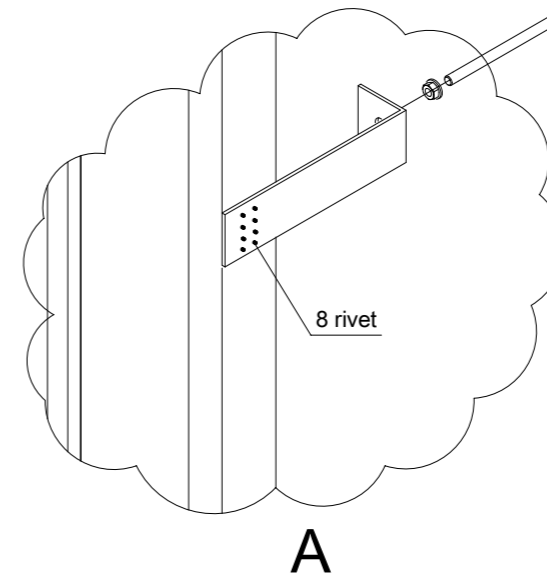


Scale: 1:20

Total weight of the lift equipment (including rated load)
 1657 kg



Fixing points
 See detail A



D

C

B

A

D

C

B

A

6 5 4 3 2 1

Approved by builder:

European view placement:



Tender no
 202307101772

Gen. Tolerances
 SS-ISO 27681-1 m

Principal drawing

1 - 825*950

Loads and forces

Johanna Aaw Kalea 3 pl

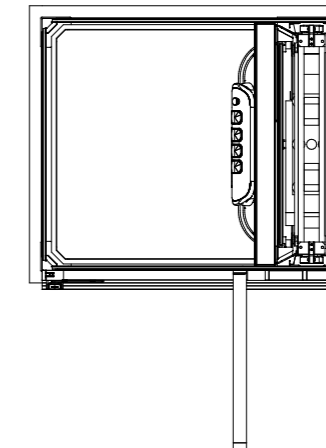
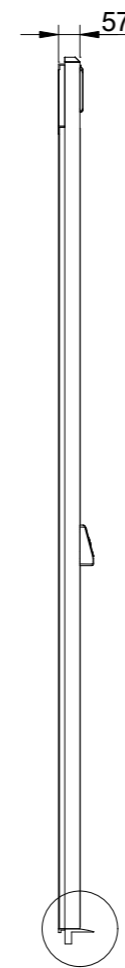
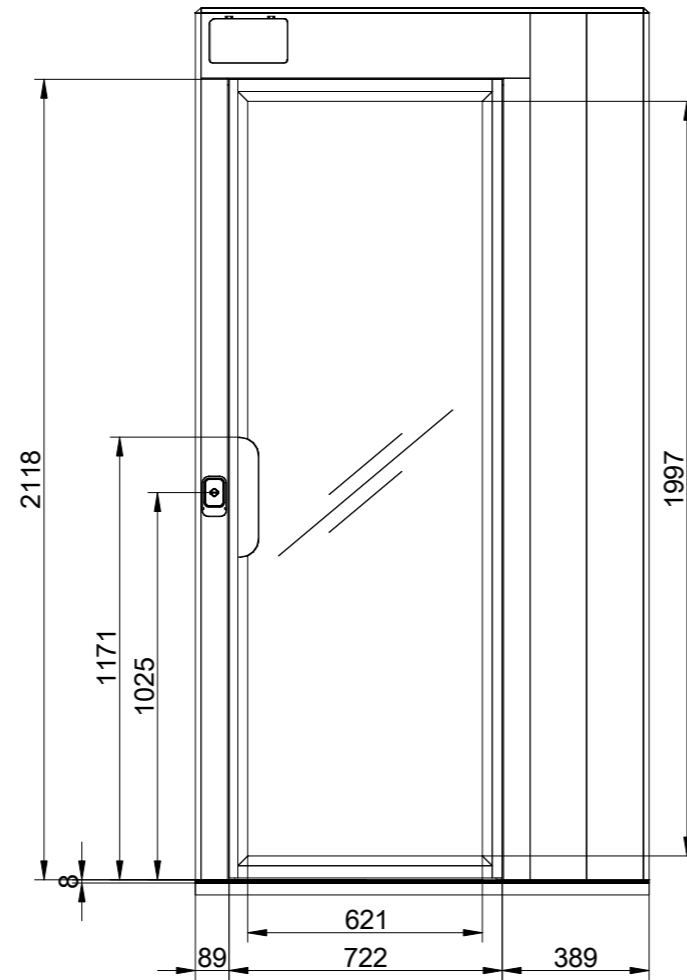
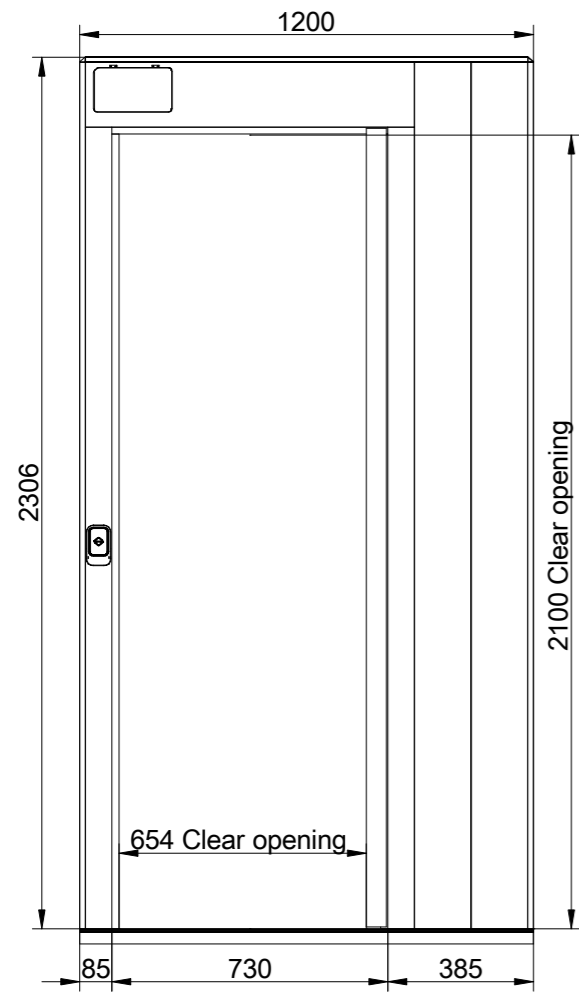
Date
 2023-07-10
 05:56

sheet
 3 of 7

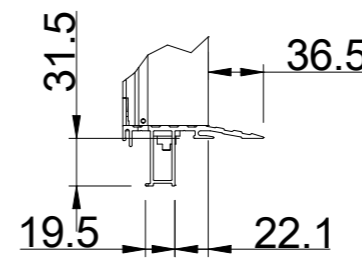
Scale:
 A3, 1:50

6 5 4 3 2 1

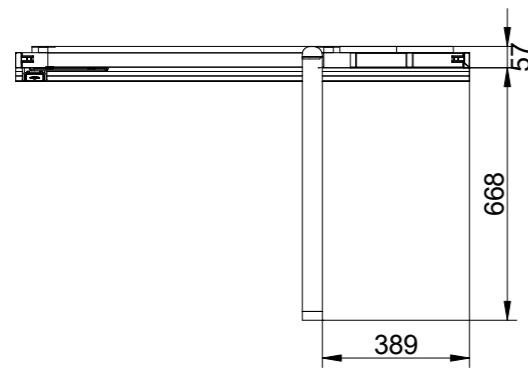
Landing 0 and door front information
Scale: 1:20



Scale: 1:30



A (1:5)



Landing	Door type
0	Panoramic Plus
1	Panoramic Plus
2	Panoramic Plus

Approved by builder:

European view placement:



Tender no
202307101772

Gen. Tolerances
SS-ISO 27681-1 m

Principal drawing

1 - 825*950

Cut out sizes

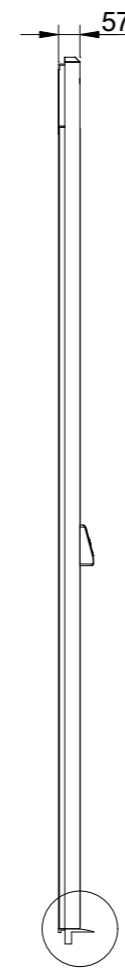
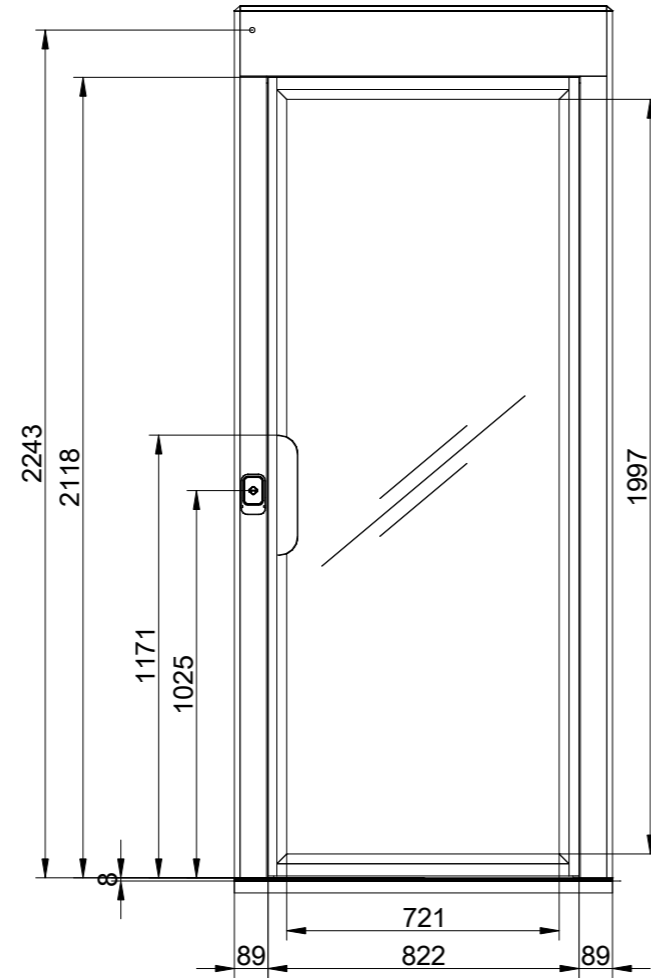
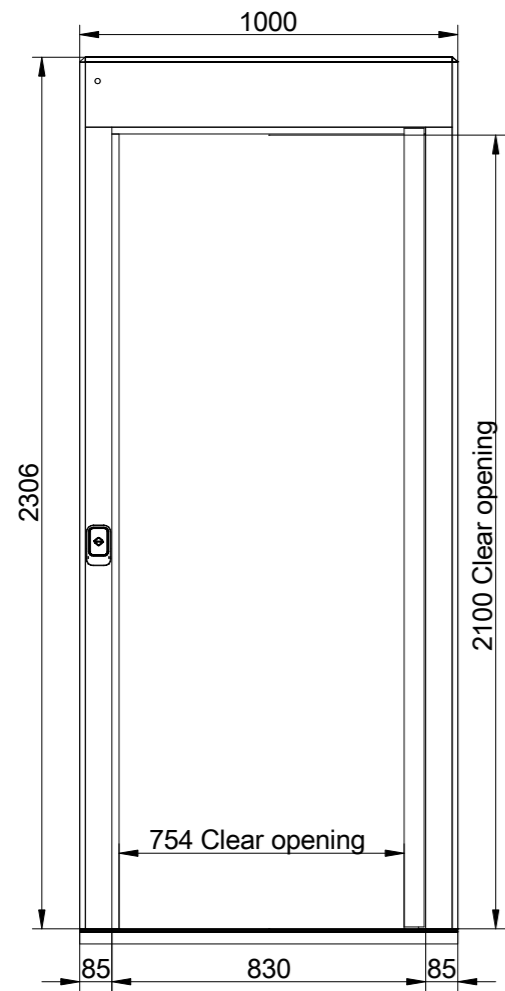
Johanna Aaw Kalea 3 pl

Date
2023-07-10
05:56

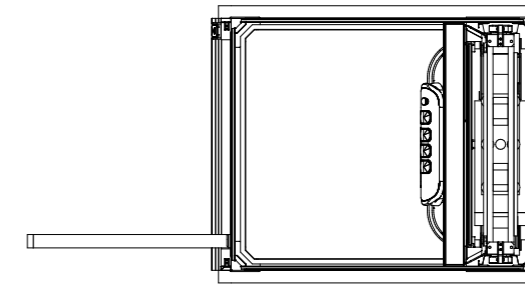
sheet
4 of 7

Scale:
A3, 1:50

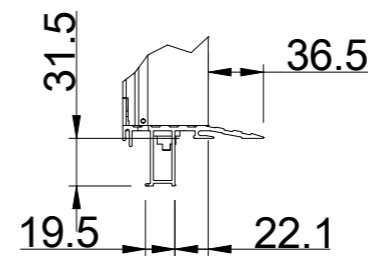
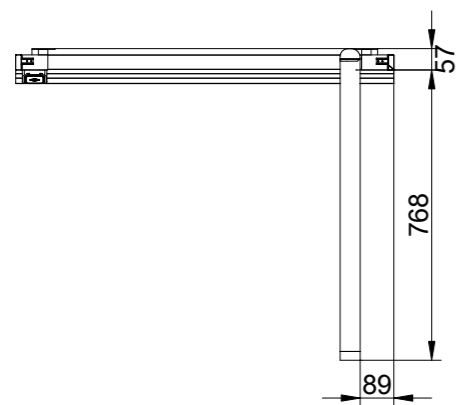
Landing 1 and door front information
Scale: 1:20



A



Scale: 1:30



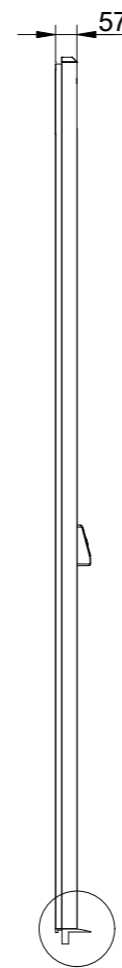
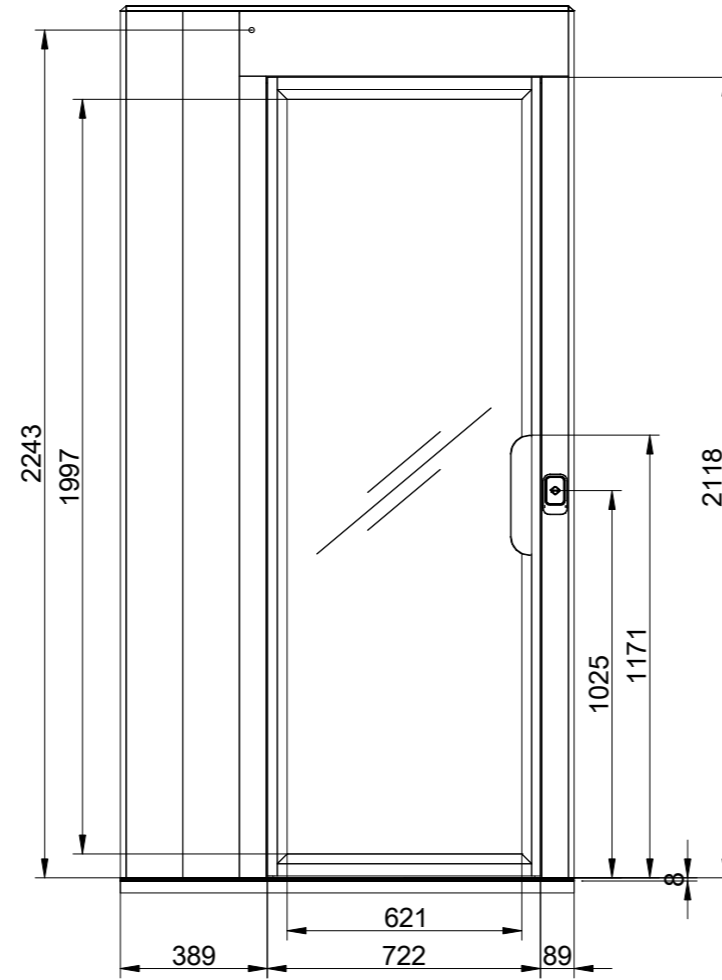
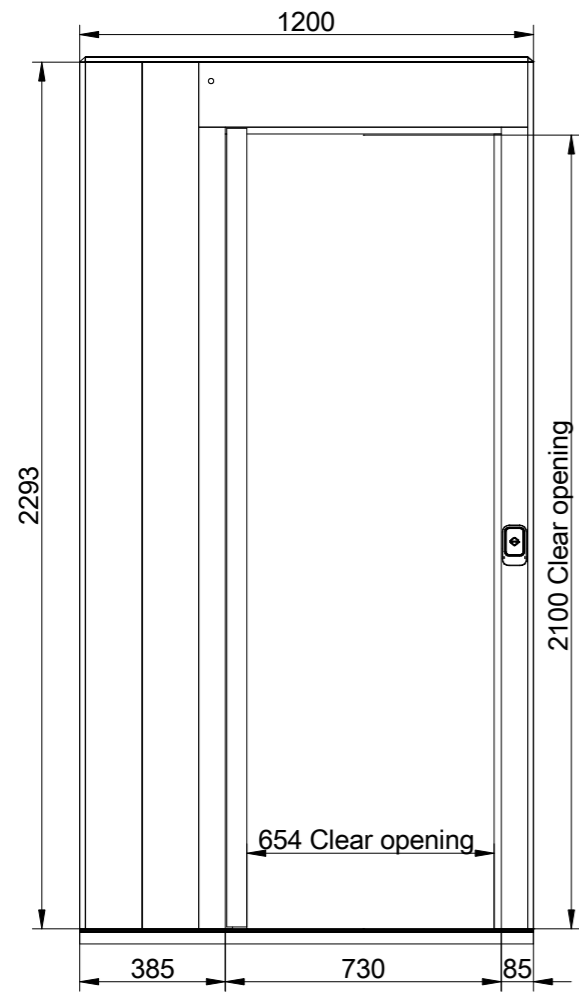
A (1:5)

Landing	Door type
0	Panoramic Plus
1	Panoramic Plus
2	Panoramic Plus

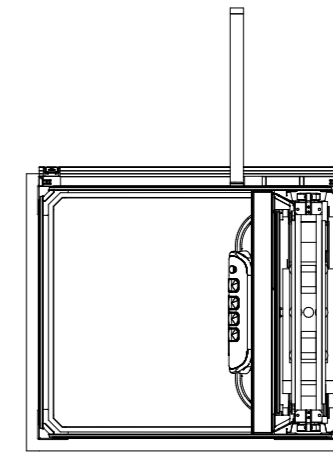
Approved by builder: _____	KALEA LIFTS	Tender no 202307101772	Principal drawing 1 - 825*950 Landing information Johanna Aaw Kalea 3 pl	
		Gen. Tolerances SS-ISO 27681-1 m		

European view placement:

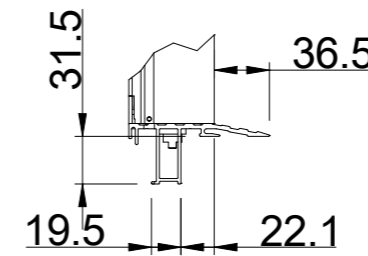
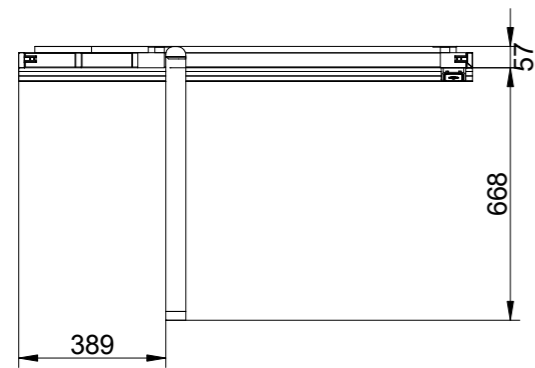
Landing 2 and door front information
Scale: 1:20



A



Scale: 1:30



A (1:5)

Landing	Door type
0	Panoramic Plus
1	Panoramic Plus
2	Panoramic Plus

Approved by builder:

European view placement:



Tender no
202307101772

Gen. Tolerances
SS-ISO 27681-1 m

Principal drawing

1 - 825*950

Landing information

Johanna Aaw Kalea 3 pl

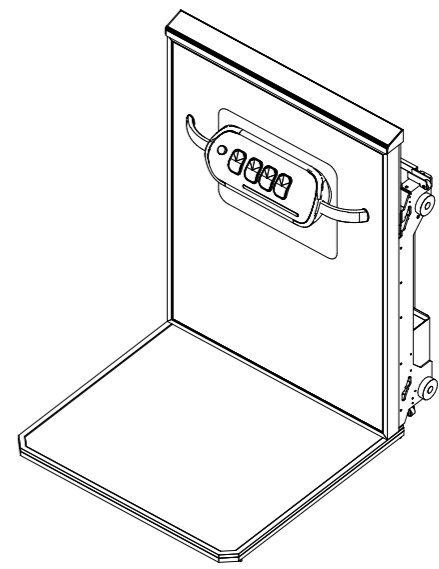
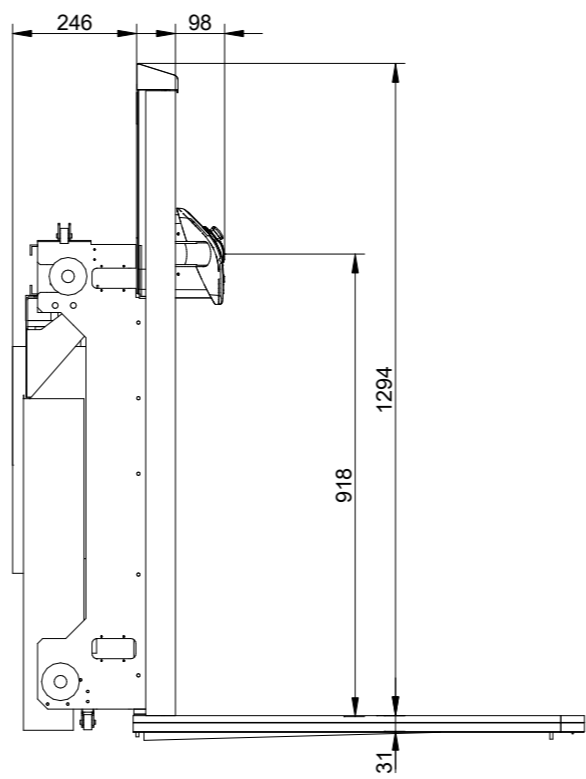
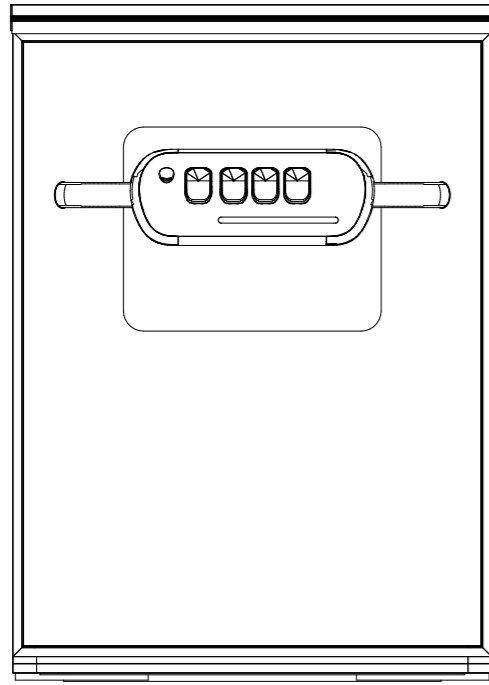
Date
2023-07-10
05:56

sheet
6 of 7

Scale:
A3, 1:50

6 5 4 3 2 1

Platform layout
Scale: 1:15



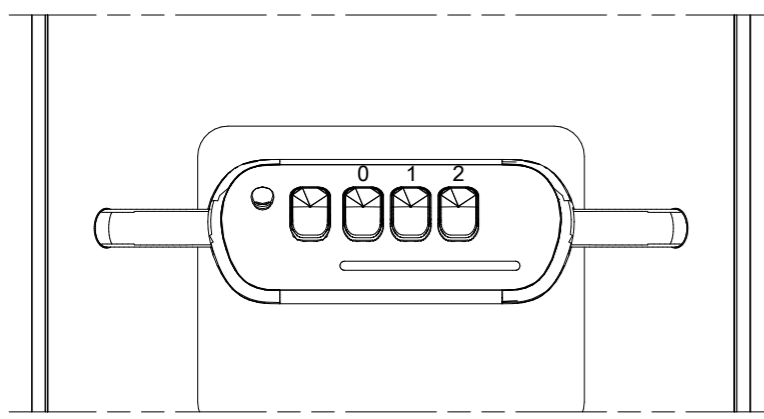
D

D

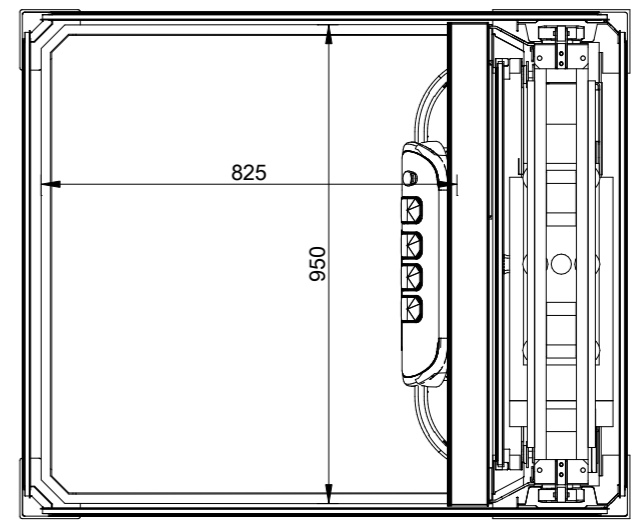
C

C

Button layout
Scale: 1:10



Platform dimensions
Scale: 1:15



B

B

A

A

6 5 4 3 2 1

Approved by builder:



Tender no
202307101772

Principal drawing
1 - 825*950
Platform layout
Johanna Aaw Kalea 3 pl

European view placement:

Gen. Tolerances
SS-ISO 27681-1 m

Date
2023-07-10
05:56

sheet
7 of 7

Scale:
A3, 1:50

