



Kalea Lifts Technical Specifications Brochure

Technical specifications Kalea A4 Mini, Primo & Kalea Kosmos

Product name	Kalea A4 Mini	Kalea A4 Primo	Kalea Kosmos
Installation	Indoor	Indoor/outdoor ¹	Indoor
Rated load	300 kg	400/500 kg	300/400/500 kg
Power supply	1×230 VAC/3×230 VAC/3×400 VAC, 50 Hz, 16 A, 3×2,5 mm ²	1×230 VAC/3×230 VAC/3×400 VAC, 50 Hz, 16 A, 3×2,5 mm ²	1×230 VAC/3×230 VAC/3×400 VAC, 50 Hz, 16 A, 3×2,5 mm ²
Speed	Max 0.15 m/s	Max 0.15 m/s	Max 0.15 m/s
Top height	2250/1100 mm (door/gate)	2250/1100 mm (door/gate)	2250/1300 mm (door/gate)
Min headroom	2300 mm (door)	2300 mm (door)	2300 mm (door)
Pit depth	0/50/70 mm	0/50/70 mm	0/50/70 mm
Directives & Standards	MD 2006/42/EC, EN 81-41, SIL3 (Safety Integrity Level 3)	MD 2006/42/EC, EN 81-41, SIL3 (Safety Integrity Level 3)	MD 2006/42/EC, EN 81-41, SIL3 (Safety Integrity Level 3)
Drive system	Screw and nut	Screw and nut	Screw and nut
Lift controls	Hold-to-run on platform, one touch on landings	Hold-to-run on platform, one touch on landings	Hold-to-run on platform, one touch on landings
Control system	Micro computer based SIL3 (Safety Integrity Level 3)	Micro computer based SIL3 (Safety Integrity Level 3)	Micro computer based SIL3 (Safety Integrity Level 3)
Motor power	2.2 kW	2.2 kW	2.2 kW
Machine room	Machine room less (MRL)	Machine room less (MRL)	Machine room less (MRL)
Max number of stops	6	6	6
Max travel	15 m	15 m	15 m
Door configuration	Single hinged doors (L/R), single entry, open-through or adjacent access	Single hinged doors (L/R), single entry, open-through or adjacent access	Single hinged doors (L/R), single entry, open-through or adjacent access
Safety	Safety edges for the top of the platform and floor, overload protection, emergency stop and alarm button, telephone and battery emergency lowering are included as standard, various lock solutions and fire drive are available as options.		
Lift shaft	Tempered and laminated safety glass (4.0 mm + 0.76 mm PVB foil + 4.0 mm) or steel panels.		

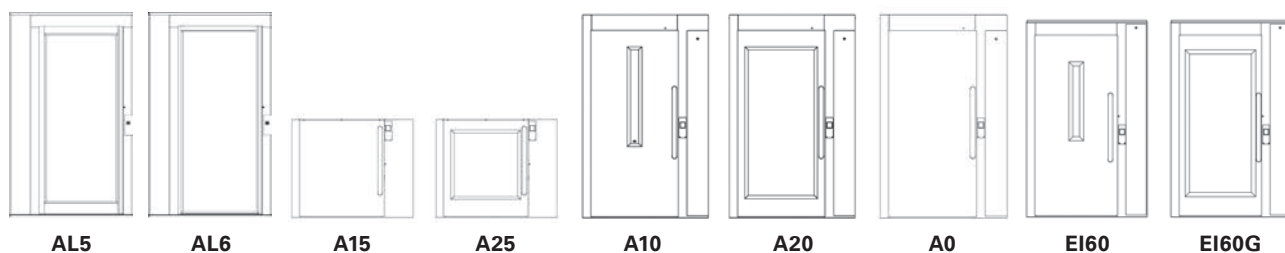
¹ Outdoor concept available for platform sizes 1000×1467 and 1100×1467 mm.

Platform size	Available for lift models	Platform (mm)		Shaft Size (mm)		Cut out size (mm)	
		Width	Depth	Width	Depth	Width	Depth
1	Kalea A4 Mini/Kosmos	600	830	960	882	1000	993
2	Kalea A4 Mini/Kosmos	800	830	1160	882	1200	993
3	Kalea A4 Mini/Kosmos	900	830	1260	882	1300	993
4	Kalea A4 Mini/Kosmos	1000	830	1360	882	1400	993
5	Kalea A4 Mini/Kosmos	800	930	1160	982	1200	1093
6	Kalea A4 Mini/Kosmos	900	930	1260	982	1300	1093
7	Kalea A4 Mini/Kosmos	1000	930	1360	982	1400	1093
8	Kalea A4 Mini/Kosmos	1100	930	1460	982	1500	1093
9	Kalea A4 Primo/Kosmos	800	1217	1160	1265	1200	1380
10	Kalea A4 Primo/Kosmos	900	1217	1260	1265	1300	1380
11	Kalea A4 Primo/Kosmos	1000	1267	1360	1315	1400	1430
12	Kalea A4 Primo/Kosmos	1000	1367	1360	1415	1400	1530
13	Kalea A4 Primo/Kosmos	1100	1367	1460	1415	1500	1530
14	Kalea A4 Primo/Kosmos	900	1467	1260	1515	1300	1630
15	Kalea A4 Primo/Kosmos	1000	1467	1360	1515	1400	1630
16	Kalea A4 Primo/Kosmos	1100	1467	1460	1515	1500	1630
17	Kalea A4 Primo/Kosmos	1100	1597	1460	1645	1500	1760

Note: Shaft and cut out sizes may vary depending on lift configuration. For exact measurements, please ask Kalea for project specific drawings.

Door models

Door glazing in laminated and tempered safety glass.



Doors for Kalea A4 Mini, Primo and Kalea Kosmos								
Door model	A20	A10/A0	AL5	AL6	EI60 ¹	EI60G ¹	A25	A15
Door type	Single hinged	Single hinged	Single hinged	Single hinged	Single hinged	Single hinged	Single hinged	Single hinged
Material	Steel	Steel	Aluminium	Aluminium	Steel	Steel	Steel	Steel
Standard finish	RAL 9016	RAL 9016	Natural alum.	Natural alum.	RAL 9016	RAL 9016	RAL 9016	RAL 9016
Glass (w×h) ² mm	715×1573	90×1010/0	775×1835	825×1998	75×800	700×1563	710×710	-
Concealed opener	Option	Option	Option	Option	-	-	Option	Option
Ext. fitted opener	-	-	-	-	Option	Option	-	-
Customised w×h	Yes	Yes	Yes	Yes	Yes	Yes	Yes	Yes

¹ Fire rated EI60 according to standard EN 81-58. Fire rated doors must always be combined with a site-built shaft with equivalent/superior fire rating, depending on your local regulations.

² Glass dimensions for doors/gates with a clear opening of 900×2000/900×1100/1300 mm, 900×2070 mm for the AL5/AL6 doors.

Note: Steel doors A20/A10/A0 are not available for the Kalea Kosmos.



Kalea A4 Mini



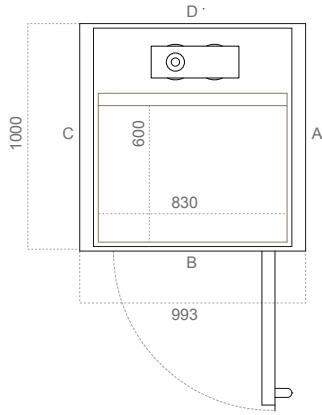
Kalea A4 Primo



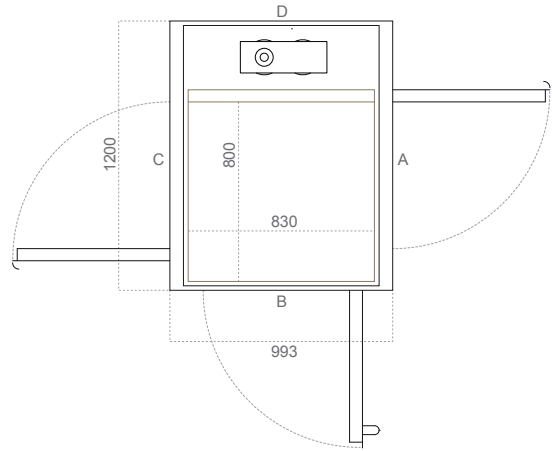
Kalea Kosmos

Kalea platform lift sizes

Lift size 1 Kalea A4 Mini/Kosmos W×D (mm)	
Platform size	600×830
Shaft size	960×882
Cut out size	1000×993



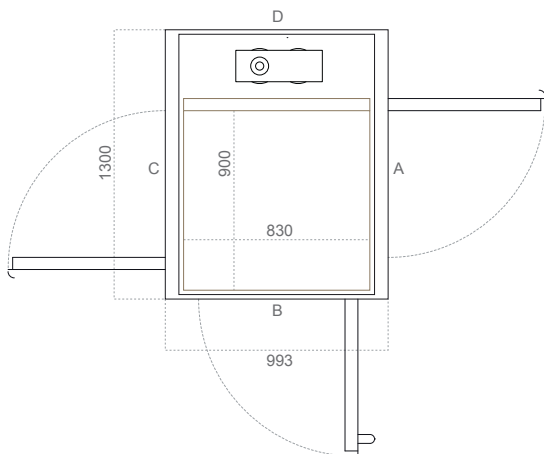
Lift size 2 Kalea A4 Mini/Kosmos W×D (mm)	
Platform size	800×830
Shaft size	1160×882
Cut out size	1200×993



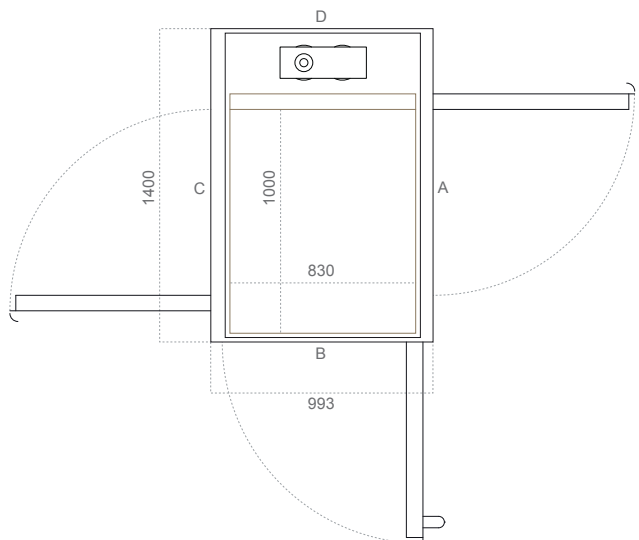
Door Opening Width (mm)		
Door Type	Side A/C	Side B
A10/A20 (steel)	-	700
AL5/AL6 (aluminium)	-	650
EI60/EI60G (fire rated)	-	-
A15/A25 (gate)	-	-

Door Opening Width (mm)		
Door Type	Side A/C	Side B
A10/A20 (steel)	700	700
AL5/AL6 (aluminium)	700	650
EI60/EI60G (fire rated)	700	-
A15/A25 (gate)	700	-

Lift size 3 Kalea A4 Mini/Kosmos W×D (mm)	
Platform size	900×830
Shaft size	1260×882
Cut out size	1300×993



Lift size 4 Kalea A4 Mini/Kosmos W×D (mm)	
Platform size	1000×830
Shaft size	1360×882
Cut out size	1400×993



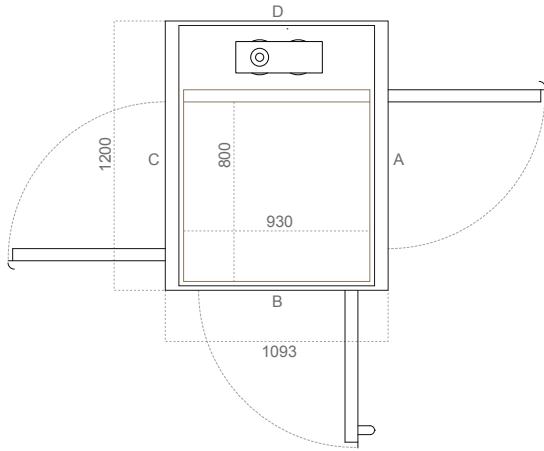
Door Opening Width (mm)		
Door Type	Side A/C	Side B
A10/A20 (steel)	800	700
AL5/AL6 (aluminium)	800	650
EI60/EI60G (fire rated)	800	-
A15/A25 (gate)	800	-

Door Opening Width (mm)		
Door Type	Side A/C	Side B
A10/A20 (steel)	900	700
AL5/AL6 (aluminium)	900	650
EI60/EI60G (fire rated)	900	-
A15/A25 (gate)	900	-

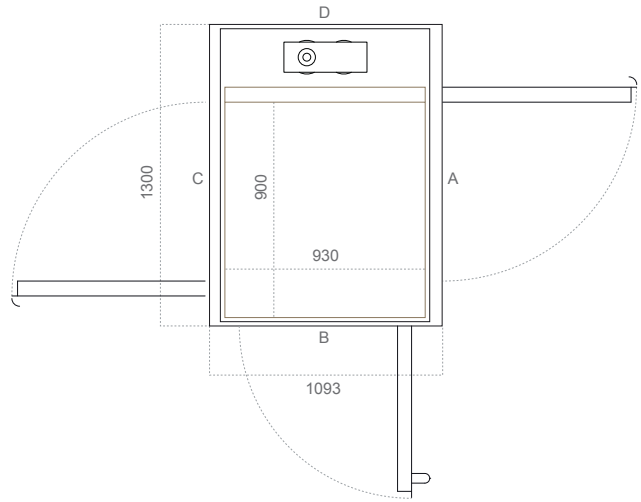
Note: Steel doors A10/A20 are not available for the Kalea Kosmos.

Kalea platform lift sizes

Lift size 5 Kalea A4 Mini/Kosmos WxD (mm)	
Platform size	800x930
Shaft size	1160x982
Cut out size	1200x1093



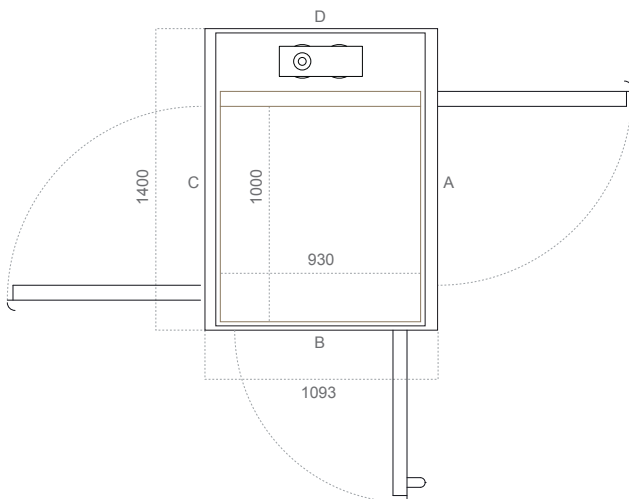
Lift size 6 Kalea A4 Mini/Kosmos WxD (mm)	
Platform size	900x930
Shaft size	1260x982
Cut out size	1300x1093



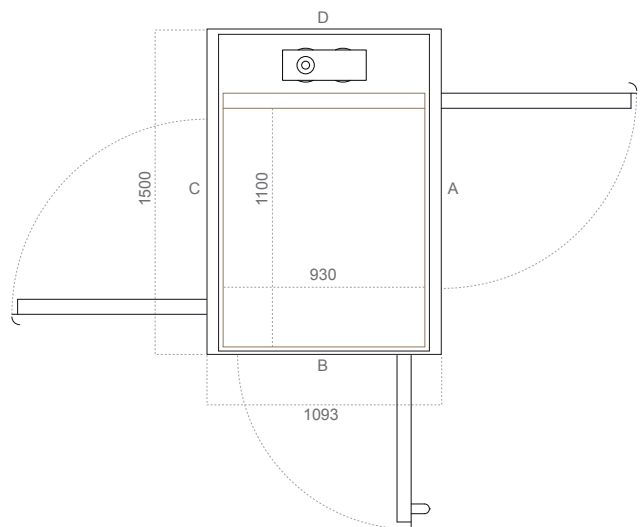
Door Opening Width (mm)		
Door Type	Side A/C	Side B
A10/A20 (steel)	700	800
AL5/AL6 (aluminium)	700	750
EI60/EI60G (fire rated)	700	-
A15/A25 (gate)	700	-

Door Opening Width (mm)		
Door Type	Side A/C	Side B
A10/A20 (steel)	800	800
AL5/AL6 (aluminium)	800	750
EI60/EI60G (fire rated)	800	-
A15/A25 (gate)	800	-

Lift size 7 Kalea A4 Mini/Kosmos WxD (mm)	
Platform size	1000x930
Shaft size	1360x982
Cut out size	1400x1093



Lift size 8 Kalea A4 Mini/Kosmos WxD (mm)	
Platform size	1100x930
Shaft size	1460x982
Cut out size	1500x1093



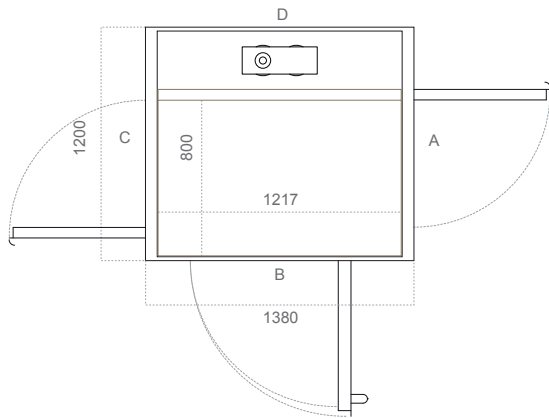
Door Opening Width (mm)		
Door Type	Side A/C	Side B
A10/A20 (steel)	900	800
AL5/AL6 (aluminium)	900	750
EI60/EI60G (fire rated)	900	-
A15/A25 (gate)	900	-

Door Opening Width (mm)		
Door Type	Side A/C	Side B
A10/A20 (steel)	900	800
AL5/AL6 (aluminium)	900	750
EI60/EI60G (fire rated)	900	-
A15/A25 (gate)	900	-

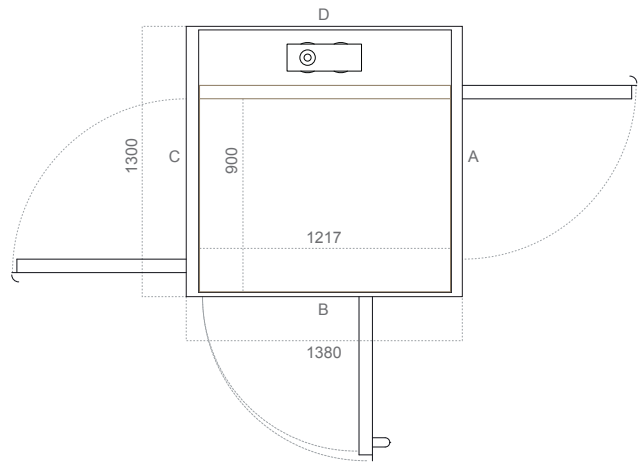
Note: Steel doors A10/A20 are not available for the Kalea Kosmos.

Kalea platform lift sizes

Lift size 9 Kalea A4 Primo/Kosmos WxD (mm)	
Platform size	800x1217
Shaft size	1160x1265
Cut out size	1200x1380



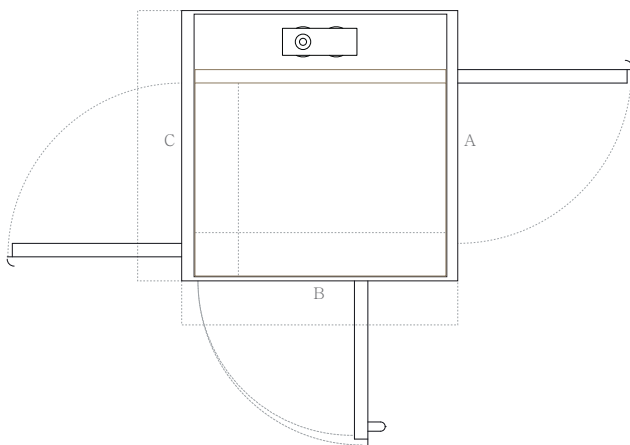
Lift size 10 Kalea A4 Primo/Kosmos WxD (mm)	
Platform size	900x1217
Shaft size	1260x1265
Cut out size	1300x1380



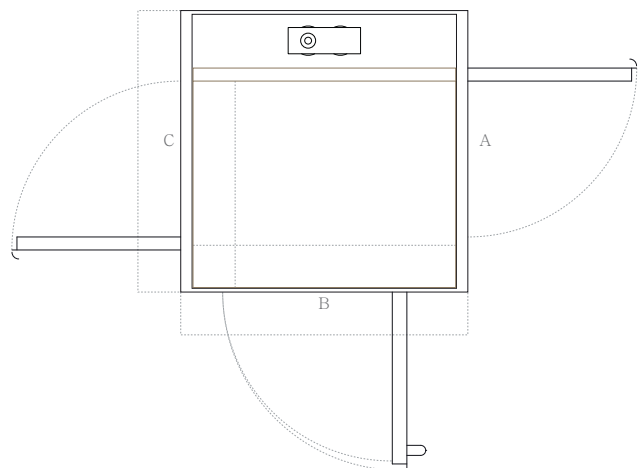
Door Opening Width (mm)		
Door Type	Side A/C	Side B
A10/A20 (steel)	700	750
AL5/AL6 (aluminium)	700	800
EI60/EI60G (fire rated)	700	750
A15/A25 (gate)	700	750

Door Opening Width (mm)		
Door Type	Side A/C	Side B
A10/A20 (steel)	800	750
AL5/AL6 (aluminium)	800	800
EI60/EI60G (fire rated)	800	750
A15/A25 (gate)	800	750

Lift size 11 Kalea A4 Primo/Kosmos WxD (mm)	
Platform size	1000x1267
Shaft size	1360x1315
Cut out size	1400x1430



Lift size 12 Kalea A4 Primo/Kosmos WxD (mm)	
Platform size	1000x1367
Shaft size	1360x1415
Cut out size	1400x1530



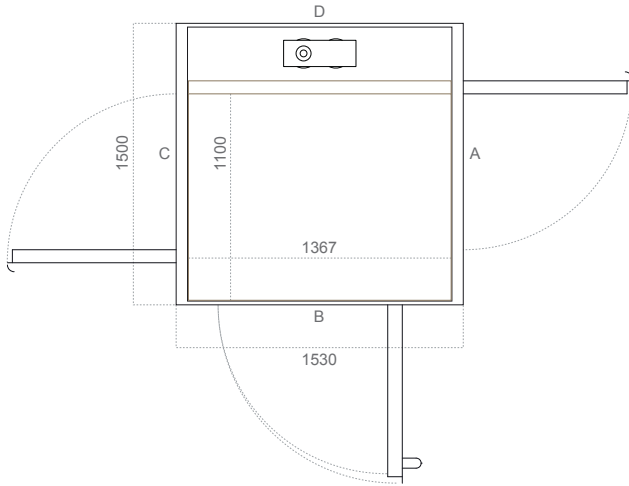
Door Opening Width (mm)		
Door Type	Side A/C	Side B
A10/A20 (steel)	900	800
AL5/AL6 (aluminium)	900	850
EI60/EI60G (fire rated)	900	800
A15/A25 (gate)	900	800

Door Opening Width (mm)		
Door Type	Side A/C	Side B
A10/A20 (steel)	900	900
AL5/AL6 (aluminium)	900	950
EI60/EI60G (fire rated)	900	900
A15/A25 (gate)	900	900

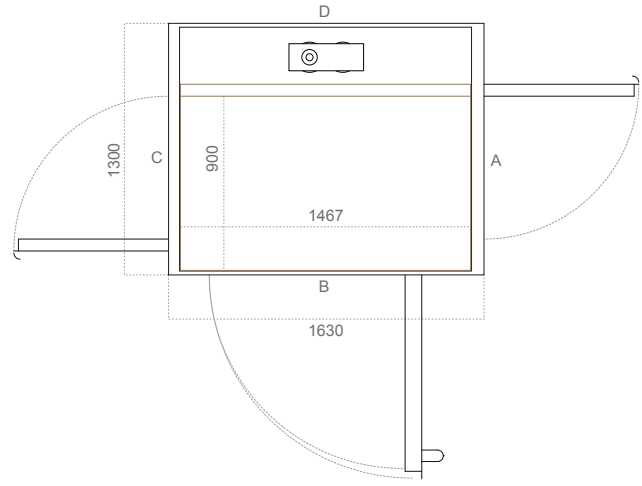
Note: Steel doors A10/A20 are not available for the Kalea Kosmos.

Kalea platform lift sizes

Lift size 13 Kalea A4 Primo/Kosmos WxD (mm)	
Platform size	1100x1367
Shaft size	1460x1415
Cut out size	1500x1530



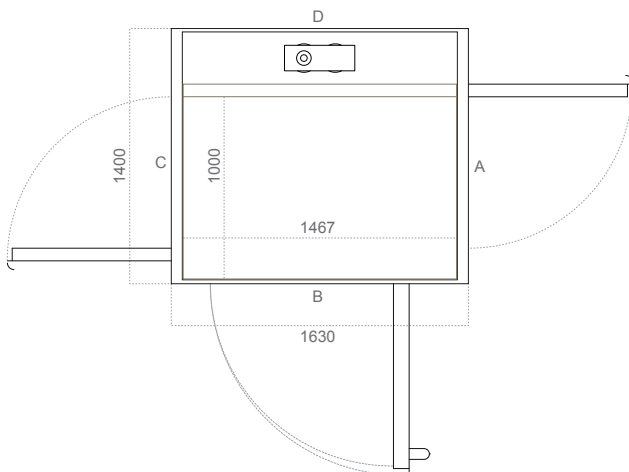
Lift size 14 Kalea A4 Primo/Kosmos WxD (mm)	
Platform size	900x1467
Shaft size	1260x1515
Cut out size	1300x1630



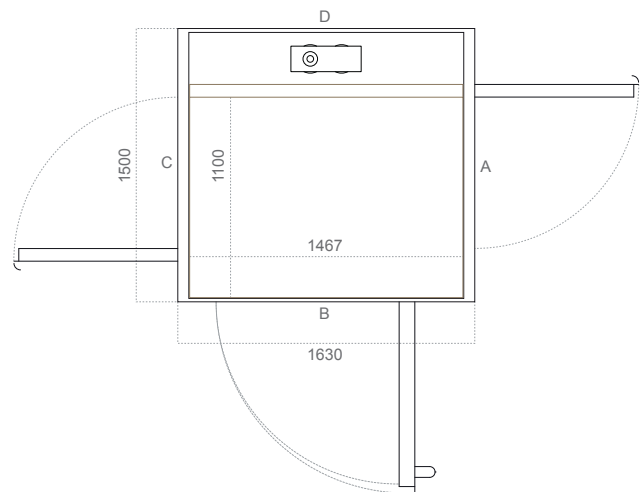
Door Opening Width (mm)		
Door Type	Side A/C	Side B
A10/A20 (steel)	900	900
AL5/AL6 (aluminium)	900	950
EI60/EI60G (fire rated)	900	900
A15/A25 (gate)	900	900

Door Opening Width (mm)		
Door Type	Side A/C	Side B
A10/A20 (steel)	800	1000
AL5/AL6 (aluminium)	800	1050
EI60/EI60G (fire rated)	800	1000
A15/A25 (gate)	800	1000

Lift size 15 Kalea A4 Primo/Kosmos WxD (mm)	
Platform size	1000x1467
Shaft size	1360x1515
Cut out size	1400x1630



Lift size 16 Kalea A4 Primo/Kosmos WxD (mm)	
Platform size	1100x1467
Shaft size	1460x1515
Cut out size	1500x1630



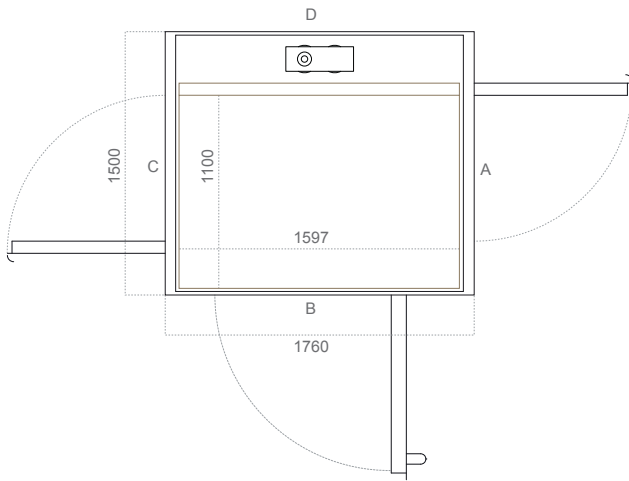
Door Opening Width (mm)		
Door Type	Side A/C	Side B
A10/A20 (steel)	900	1000
AL5/AL6 (aluminium)	900	1050
EI60/EI60G (fire rated)	900	1000
A15/A25 (gate)	900	1000

Door Opening Width (mm)		
Door Type	Side A/C	Side B
A10/A20 (steel)	900	1000
AL5/AL6 (aluminium)	900	1050
EI60/EI60G (fire rated)	900	1000
A15/A25 (gate)	900	1000

Note: Steel doors A10/A20 are not available for the Kalea Kosmos.

Kalea platform lift sizes

Lift size 17 Kalea A4 Primo/Kosmos WxD (mm)	
Platform size	1100x1597
Shaft size	1460x1645
Cut out size	1500x1760



Door Opening Width (mm)		
Door Type	Side A/C	Side B
A10/A20 (steel)	900	1000
AL5/AL6 (aluminium)	900	1050
EI60/EI60G (fire rated)	900	1000
A15/A25 (gate)	900	-

Note: Steel doors A10/A20 are not available for the Kalea Kosmos.

Notes



Technical specifications Kalea A4 Mille

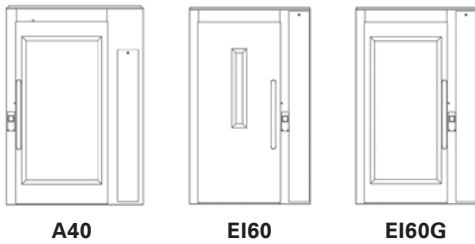
Product name	Kalea A4 Mille
Installation	Indoor
Rated load	1000 kg
Power supply	3×400/3×230 VAC, 50 Hz, 16 A, 5×6,0 mm ²
Speed	Max 0.15 m/s
Top height	2300 mm
Min headroom	2350 mm
Pit depth	130 mm
Directives & Standards	MD 2006/42/EC, applicable parts of EN 81-41, SIL3 (Safety Integrity Level 3)
Drive system	Screw and nut
Lift controls	Hold-to-run on platform, one touch on landings
Control system	Micro computer based SIL3 (Safety Integrity Level 3)
Motor power	4.0 kW
Machine room	Machine room less (MRL)
Max number of stops	6
Max travel	13 m
Door configuration	Single hinged doors (L/R), single entry, open-through or adjacent access
Safety	Safety edges for the top of the platform and floor, overload protection, emergency stop and alarm button, telephone and battery emergency lowering are included as standard, various lock solutions and fire drive are available as options.
Lift shaft	Tempered and laminated safety glass (4.0 mm + 0.76 mm PVB foil + 4.0 mm) or steel panels.

Platform size	Platform (mm)		Shaft Size (mm)		Cut out size (mm)	
	Width	Depth	Width	Depth	Width	Depth
1	1405	1980	1825	2056	1895	2135
2	1405	2480	1825	2556	1895	2635
3	1105	2180	1525	2256	1595	2335

Note: Shaft and cut out sizes may vary depending on lift configuration. For exact measurements, please ask Kalea for project specific drawings.

Door models

Door glazing in laminated and tempered safety glass.



Doors for Kalea A4 Mille			
Door model	A40	EI60 ¹	EI60G ¹
Door type	Single hinged	Single hinged	Single hinged
Material	Steel	Steel	Steel
Standard finish	RAL 9016	RAL 9016	RAL 9016
Glass (w×h) ² mm	800 × 1563	75×800	800 × 1563
Concealed opener	-	-	-
Ext. fitted opener	Option	Option	Option
Customised w×h	Yes	Yes	Yes

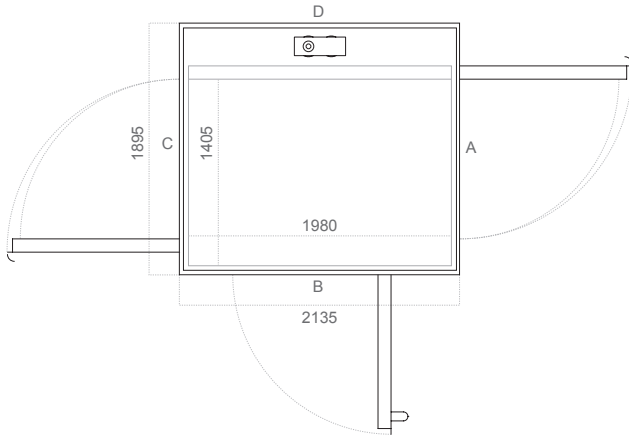
¹ Fire rated EI60 according to standard EN 81-58. EI60G only for platform size 1105×2180. Fire rated doors must always be combined with a site-built shaft with equivalent/superior fire rating, depending on your local regulations.

² Glass dimensions for doors of standard dimensions side A/C.

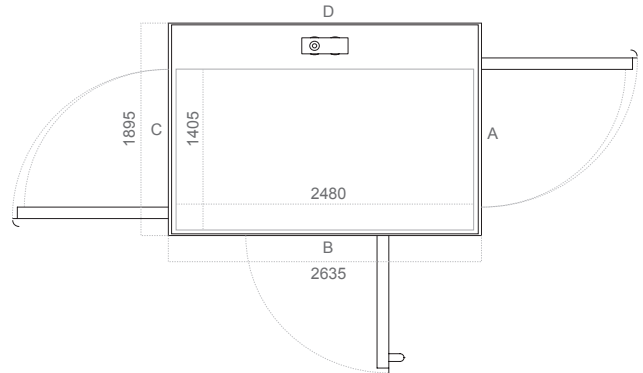


Kalea platform lift sizes

Lift size 1 Kalea A4 Mille W×D (mm)	
Platform size	1405×1980
Shaft size	1825×2056
Cut out size	1895×2135



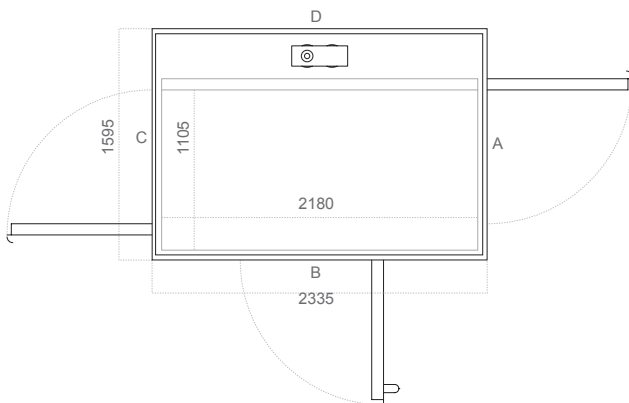
Lift size 2 Kalea A4 Mille W×D (mm)	
Platform size	1405×2480
Shaft size	1825×2556
Cut out size	1895×2635



Door Opening Width (mm)		
Door Type	Side A/C	Side B
A40 (steel)	1300	1300
EI60 (fire rated)	1200	-

Door Opening Width (mm)		
Door Type	Side A/C	Side B
A40 (steel)	1300	1300
EI60 (fire rated)	1200	-

Lift size 3 Kalea A4 Mille W×D (mm)	
Platform size	1105×2180
Shaft size	1525×2256
Cut out size	1595×2335



Door Opening Width (mm)		
Door Type	Side A/C	Side B
A40 (steel)	1000	1000
EI60 (fire rated)	1000	-

Examples of different configurations



Gate, open through.
2 landings.



Gate, adjacent,
2 landings.



Gate, single entry,
2 landings.



Full height doors, single entry.
2 landings.



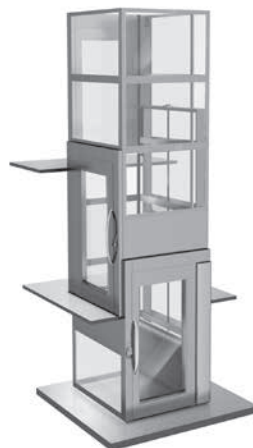
Full height doors, open through.
2 landings.



Full height doors, adjacent.
2 landings.



Full height doors, open through.
3 landings.



Full height doors, adjacent,
open through. 3 landings.



Full height doors, single entry.
3 landings.

Technical specifications Kalea C1 Futura

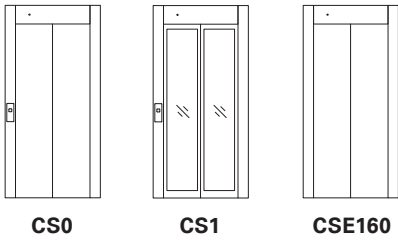
Product name	Kalea C1 Futura
Installation	Indoor
Rated load	3 x 400 VAC & 3 x 230 VAC: 900x950 - 300 kg / 900x1200 - 375 kg / 900x1400 - 450 kg / 1100x1200 - 525 kg / 1100x1400 & 1100x1700 - 630 kg 1 x 230 VAC: 900x950 - 300 kg / 900x1200 - 375 kg / 900x1400, 1100x1200, 1100x1400 & 1100x1700 - 385 kg
Power supply	3x400 VAC/3x230 VAC, 50/60 Hz, 16 A, 5x2,5 mm ² or 1x230 VAC 50/60 Hz, 32 A 5x2,5 mm ²
Speed	Max 0.15 m/s
Top height	2450 mm
Min headroom	2500 mm
Pit depth	100 mm (120 mm if the floor is fitted with wood laminate or tiles)
Directives & Standards	MD 2006/42/EC, applicable parts of EN 81-41, EN 81-20 and EN 81-70
Drive system	Screw and nut
Lift controls	One touch operation in cabin and on landings
Control system	Micro computer based SIL3 (Safety Integrity Level 3)
Motor power	4.0 kW (3.7 kW if 3x320 or 1x230 VAC power supply)
Machine room	Machine room less (MRL)
Max number of stops	6
Max travel	15 m
Min travel between floors, single entry	2500 mm
Min travel between floors, open-through	Min 1000 mm. For lifts with 3 stops or more, the min travel can in some cases be reduced to 200 mm. Contact Kalea for more information.
Door configuration	Telescopic sliding doors with opening direction towards machinery side.
Safety	Alarm button, emergency telephone, emergency light, battery emergency lowering, battery monitoring, overload protection, infrared light curtain between doors. Maintenance light, fire drive and various lock systems as an option.
Lift shaft	Lift without shaft (for installation in masonry shaft) or with modular shaft in tempered and laminated safety glass (4.0 mm + 0.76 mm PVB foil + 4.0 mm) or steel panels.

Cabin size	Cabin size (mm)			Cut out size, single entry (mm)		Cut out size, open-through (mm)	
	Width	Depth	Height	Width	Depth	Width	Depth
1a site built shaft	900	950	2130	1350	1240	1350	1410
1b modular shaft	900	950	2130	1410	1310	1410	1450
2a site built shaft	900	1200	2130	1350	1490	1350	1660
2b modular shaft	900	1200	2130	1410	1560	1410	1700
3a site built shaft	900	1400	2130	1350	1690	1350	1860
3b modular shaft	900	1400	2130	1410	1740	1410	1900
4a site built shaft	1100	1200	2130	1550	1490	1550	1660
4b modular shaft	1100	1200	2130	1610	1560	1610	1700
5a site built shaft	1100	1400	2130	1550	1690	1550	1860
5b modular shaft	1100	1400	2130	1610	1740	1610	1900
6a site built shaft	1100	1700	2130	1550	1990	1550	2160

Note: Shaft and cut out sizes may vary depending on lift configuration. For exact measurements, please ask Kalea for project specific drawings.

Door models

Kalea C1 Futura is equipped with automatic telescopic doors, for the landings and cabin. For your safety, there is a light curtain between the two sets of doors, which prevents the doors from closing if the light curtain is breached.



Doors for Kalea C1 Futura			
Door model	CS0 Steel Door	CS1 Glass door	CSE160 Fire rated door ¹
Door type	Telescopic sliding door	Telescopic sliding door	Telescopic sliding door
Number of door panels	2	2	2
Clear opening (w×h) mm	900×2100/750×2100	900×2100/750×2100	900×2100/-
Opening direction	Towards machinery side	Towards machinery side	Towards machinery side
Infrared light curtain	Standard	Standard	Standard
Cut out size (w×h) mm	1160×2300/1010×2300	1160×2300/1010×2300	1000×2300/-
Material	Steel	Steel/glass	Steel
Standard finish	White RAL 9016	White RAL 9016	White RAL 9016
Optional finish	Any RAL or Premium colour/stainless steel ²	Any RAL or Premium colour	Any RAL or Premium colour
Glass (w×h) mm	-	370×1950/300×1950 mm	-

¹Landing door fire rated EI60 according to standard EN 81-58. Not available for cabin sizes 900×950/1200/1400 mm. Fire rated doors must always be combined with a site-built shaft with equivalent/superior fire rating, depending on your local regulations.

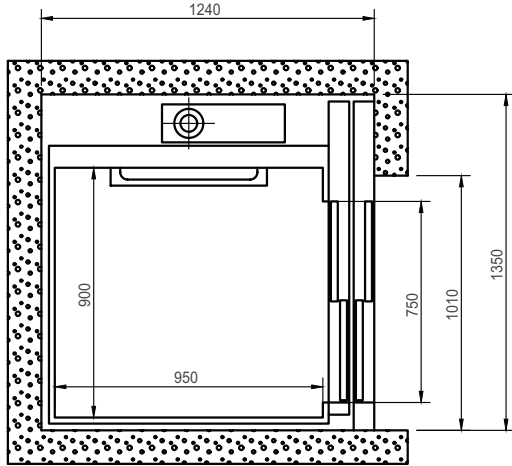
²Austenitic steel, designation EN1.4301/AISI 304, name X5CrNi18-10.

Kalea C1 Futura



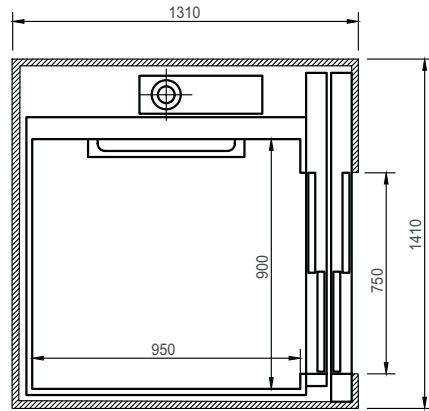
Kalea cabin lift sizes

Lift size 1a single entry WxD (mm)	
Cabin dimensions (wxdxh)	900x950x2130
Cut out size (wxd) single entry	1350x1240



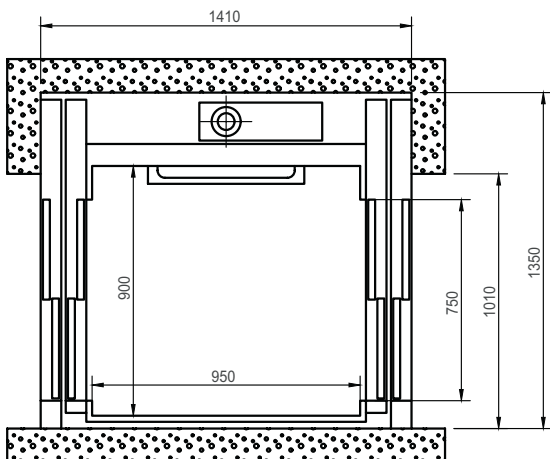
Door Opening Width (mm)	
Door Type	Side A/C
CS0/CS1	750

Lift size 1b single entry WxD (mm)	
Cabin dimensions (wxdxh)	900x950x2130
Cut out size (wxd) single entry	1410x1310



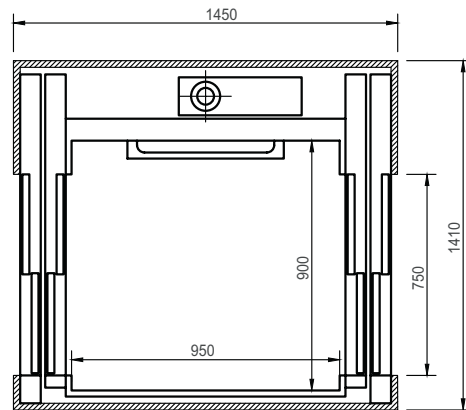
Door Opening Width (mm)	
Door Type	Side A/C
CS0/CS1	750

Lift size 1a open-through WxD (mm)	
Cabin dimensions (wxdxh)	900x950x2130
Cut out size (wxd) open-through	1350x1410



Door Opening Width (mm)	
Door Type	Side A/C
CS0/CS1	750

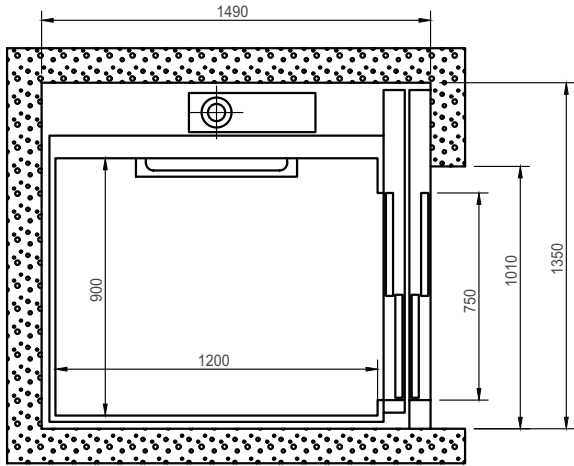
Lift size 1b open-through WxD (mm)	
Cabin dimensions (wxdxh)	900x950x2130
Cut out size (wxd) open-through	1410x1450



Door Opening Width (mm)	
Door Type	Side A/C
CS0/CS1	750

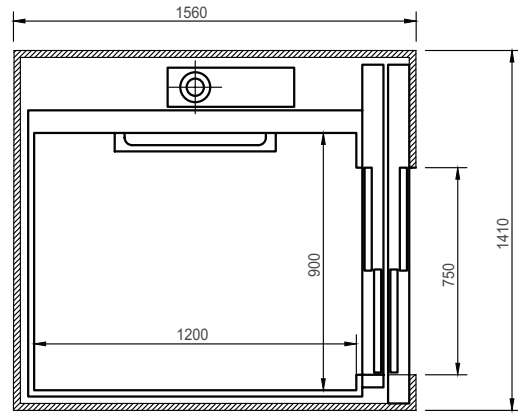
Kalea cabin lift sizes

Lift size 2a single entry WxD (mm)	
Cabin dimensions (wxdxh)	900x1200x2130
Cut out size (wxd) single entry	1350x1490



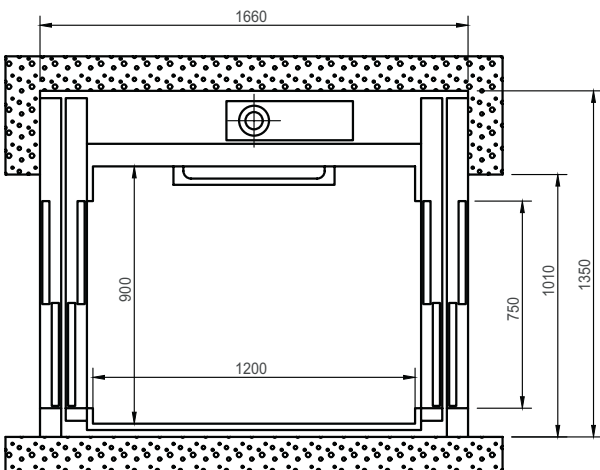
Door Opening Width (mm)	
Door Type	Side A/C
CS0/CS1	750

Lift size 2b single entry WxD (mm)	
Cabin dimensions (wxdxh)	900x1200x2130
Cut out size (wxd) single entry	1410x1560



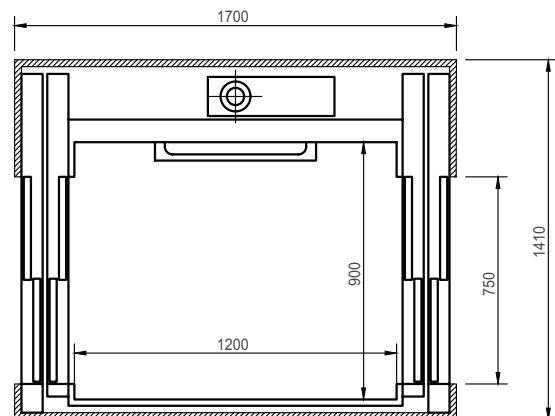
Door Opening Width (mm)	
Door Type	Side A/C
CS0/CS1	750

Lift size 2a open-through WxD (mm)	
Cabin dimensions (wxdxh)	900x1200x2130
Cut out size (wxd) open-through	1350x1660



Door Opening Width (mm)	
Door Type	Side A/C
CS0/CS1	750

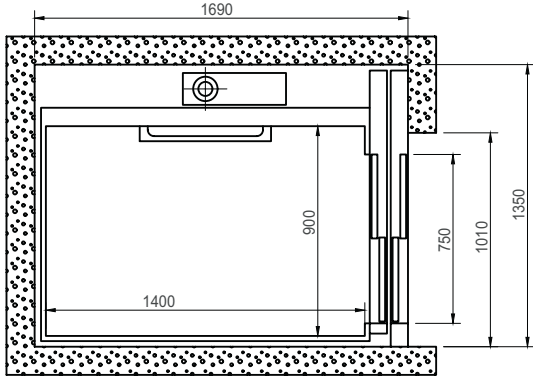
Lift size 2b open-through WxD (mm)	
Cabin dimensions (wxdxh)	900x1200x2130
Cut out size (wxd) open-through	1410x1700



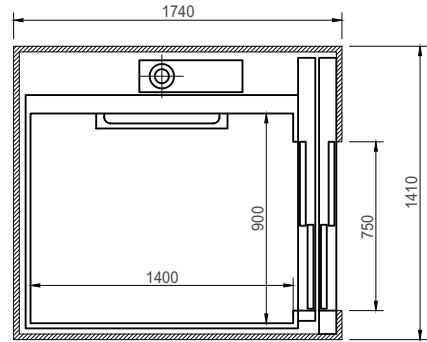
Door Opening Width (mm)	
Door Type	Side A/C
CS0/CS1	750

Kalea cabin lift sizes

Lift size 3a single entry WxD (mm)	
Cabin dimensions (wxdxh)	900x1400x2130
Cut out size (wxd) single entry	1350x1690



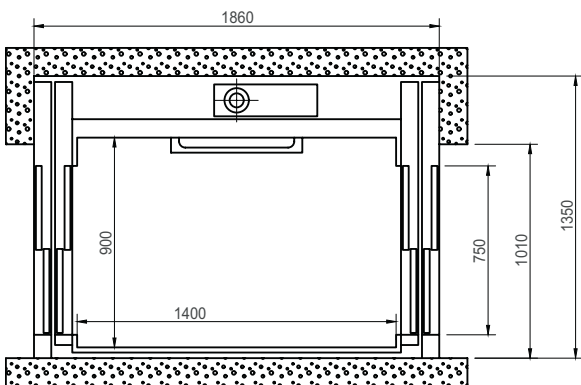
Lift size 3b single entry WxD (mm)	
Cabin dimensions (wxdxh)	900x1400x2130
Cut out size (wxd) single entry	1410x1740



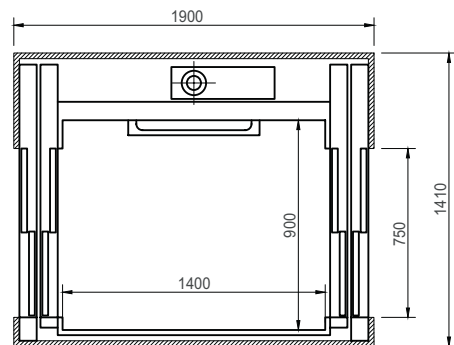
Door Opening Width (mm)	
Door Type	Side A/C
CS0/CS1	750

Door Opening Width (mm)	
Door Type	Side A/C
CS0/CS1	750

Lift size 3a open-through WxD (mm)	
Cabin dimensions (wxdxh)	900x1400x2130
Cut out size (wxd) open-through	1350x1860



Lift size 3b open-through WxD (mm)	
Cabin dimensions (wxdxh)	900x1400x2130
Cut out size (wxd) open-through	1410x1900

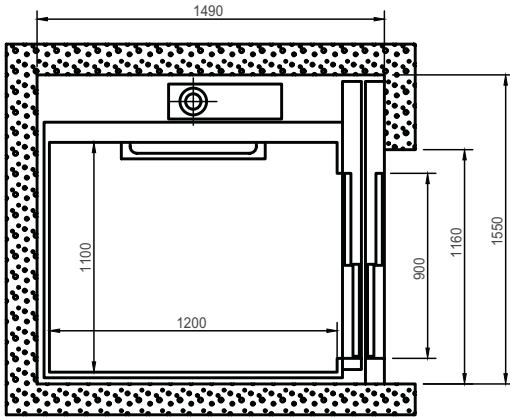


Door Opening Width (mm)	
Door Type	Side A/C
CS0/CS1	750

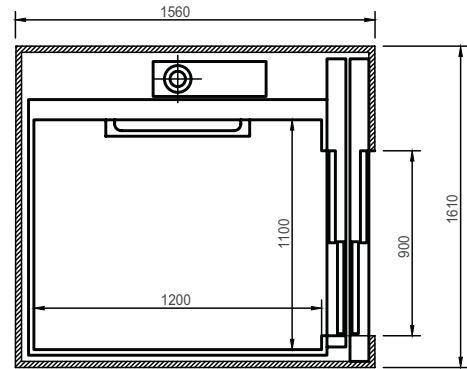
Door Opening Width (mm)	
Door Type	Side A/C
CS0/CS1	750

Kalea cabin lift sizes

Lift size 4a single entry WxD (mm)	
Cabin dimensions (wxdxh)	1100x1200x2130
Cut out size (wxd) single entry	1550x1490



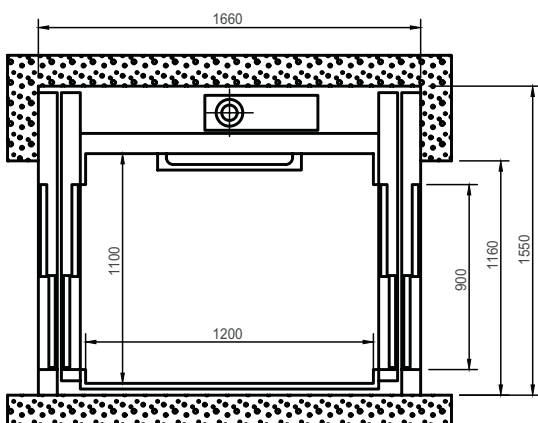
Lift size 4b single entry WxD (mm)	
Cabin dimensions (wxdxh)	1100x1200x2130
Cut out size (wxd) single entry	1610x1560



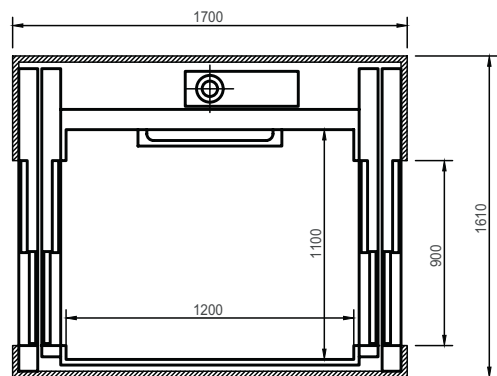
Door Opening Width (mm)	
Door Type	Side A/C
CS0/CS1	900
CSEI60 (fire rated)	900

Door Opening Width (mm)	
Door Type	Side A/C
CS0/CS1	900
CSEI60 (fire rated)	900

Lift size 4a open-through WxD (mm)	
Cabin dimensions (wxdxh)	1100x1200x2130
Cut out size (wxd) open-through	1550x1660



Lift size 4b open-through WxD (mm)	
Cabin dimensions (wxdxh)	1100x1200x2130
Cut out size (wxd) open-through	1610x1700

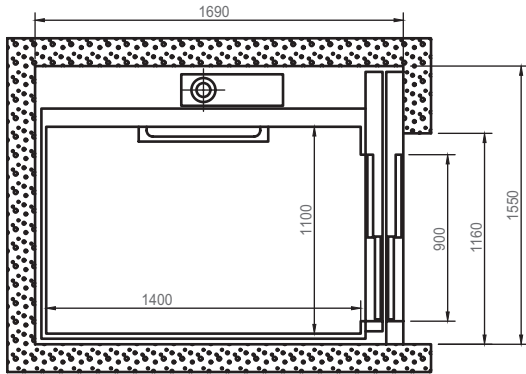


Door Opening Width (mm)	
Door Type	Side A/C
CS0/CS1	900
CSEI60 (fire rated)	900

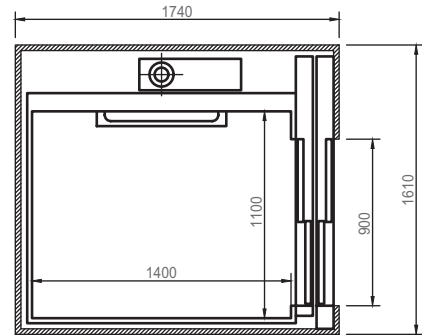
Door Opening Width (mm)	
Door Type	Side A/C
CS0/CS1	900
CSEI60 (fire rated)	900

Kalea cabin lift sizes

Lift size 5a single entry WxD (mm)	
Cabin dimensions (wxdxh)	1100x1400x2130
Cut out size (wxd) single entry	1550x1690



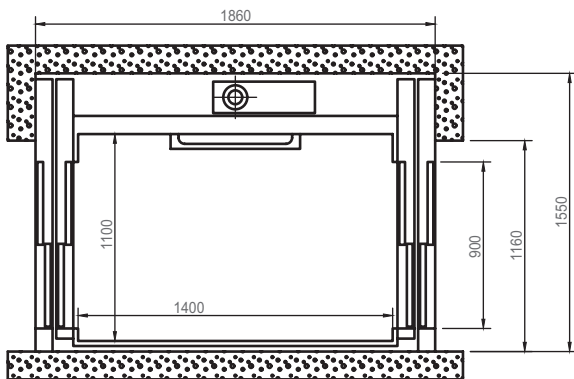
Lift size 5b single entry WxD (mm)	
Cabin dimensions (wxdxh)	1100x1400x2130
Cut out size (wxd) single entry	1610x1740



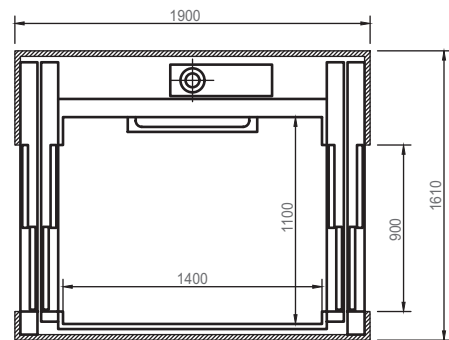
Door Opening Width (mm)	
Door Type	Side A/C
CS0/CS1	900
CSEI60 (fire rated)	900

Door Opening Width (mm)	
Door Type	Side A/C
CS0/CS1	900
CSEI60 (fire rated)	900

Lift size 5a open-through WxD (mm)	
Cabin dimensions (wxdxh)	1100x1400x2130
Cut out size (wxd) open-through	1550x1860



Lift size 5b open-through WxD (mm)	
Cabin dimensions (wxdxh)	1100x1400x2130
Cut out size (wxd) open-through	1610x1900

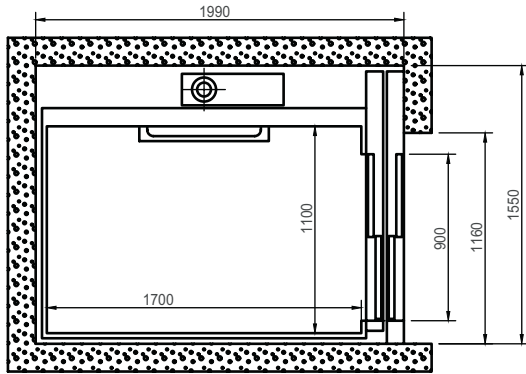


Door Opening Width (mm)	
Door Type	Side A/C
CS0/CS1	900
CSEI60 (fire rated)	900

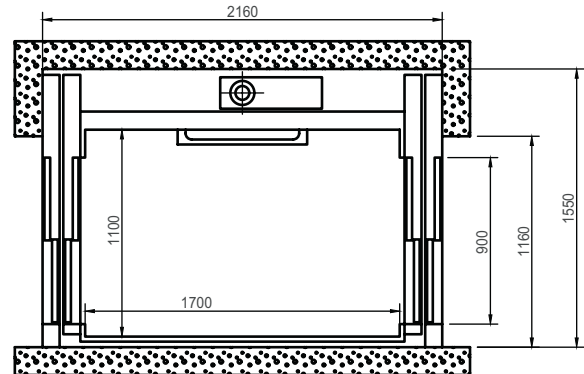
Door Opening Width (mm)	
Door Type	Side A/C
CS0/CS1	900
CSEI60 (fire rated)	900

Kalea cabin lift sizes

Lift size 6a single entry WxD (mm)	
Cabin dimensions (wxdxh)	1100x1700x2130
Cut out size (wxd) single entry	1550x1990



Lift size 6a open-through WxD (mm)	
Cabin dimensions (wxdxh)	1100x1700x2130
Cut out size (wxd) open-through	1550x2160



Door Opening Width (mm)	
Door Type	Side A/C
CS0/CS1	900
CSEI60 (fire rated)	900

Door Opening Width (mm)	
Door Type	Side A/C
CS0/CS1	900
CSEI60 (fire rated)	900

Notes



Notes





Kalea Lifts, Utmarksvägen 13, 802 91 Gävle, Sweden
Website: www.kalealifts.com Email: info@kalea.se, Tel: +46 (0)26 17 14 00