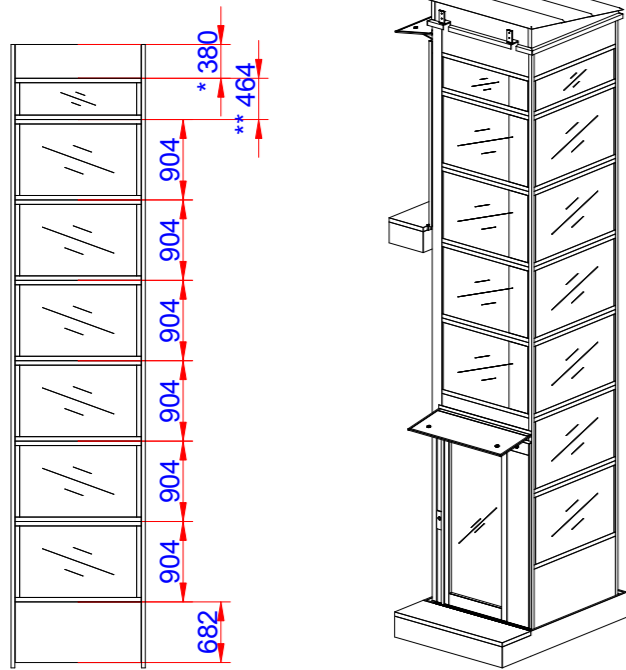


Cutout dimension see sheet
2, forces see sheet 3

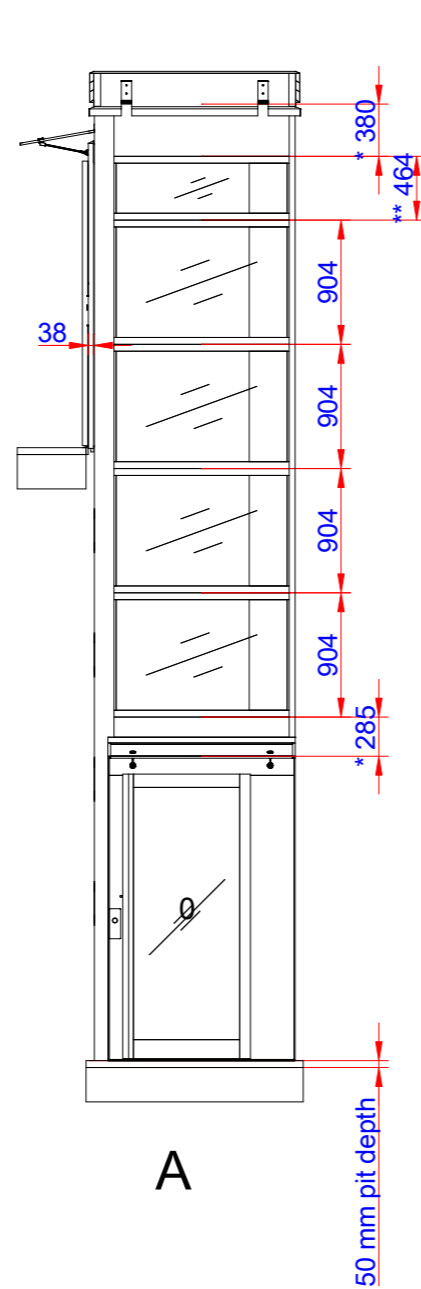
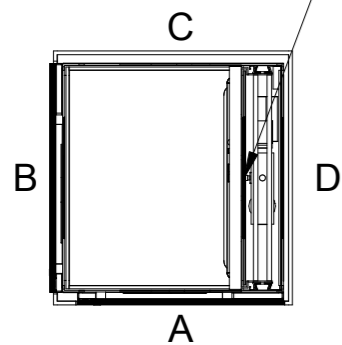
*To be adapted on site
**Customized panel



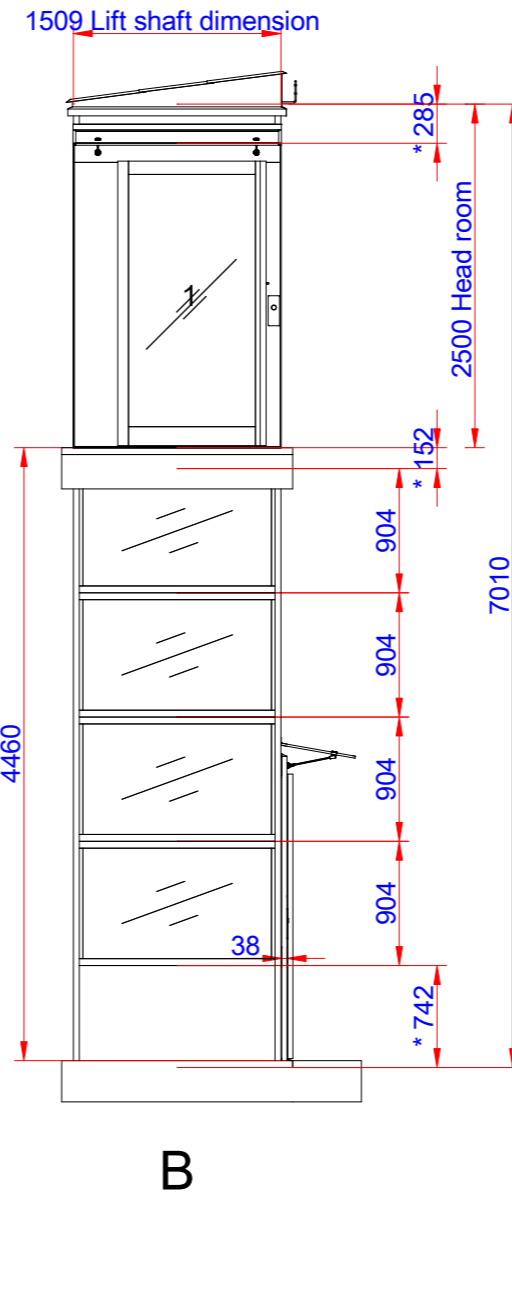
E

Positioning of machinery:

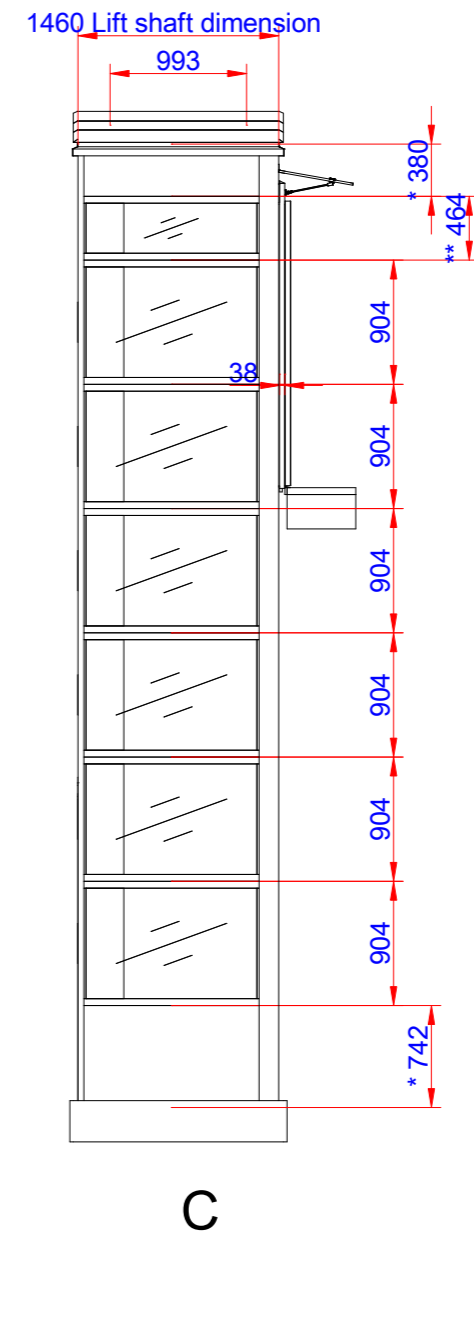
E=Shield wall



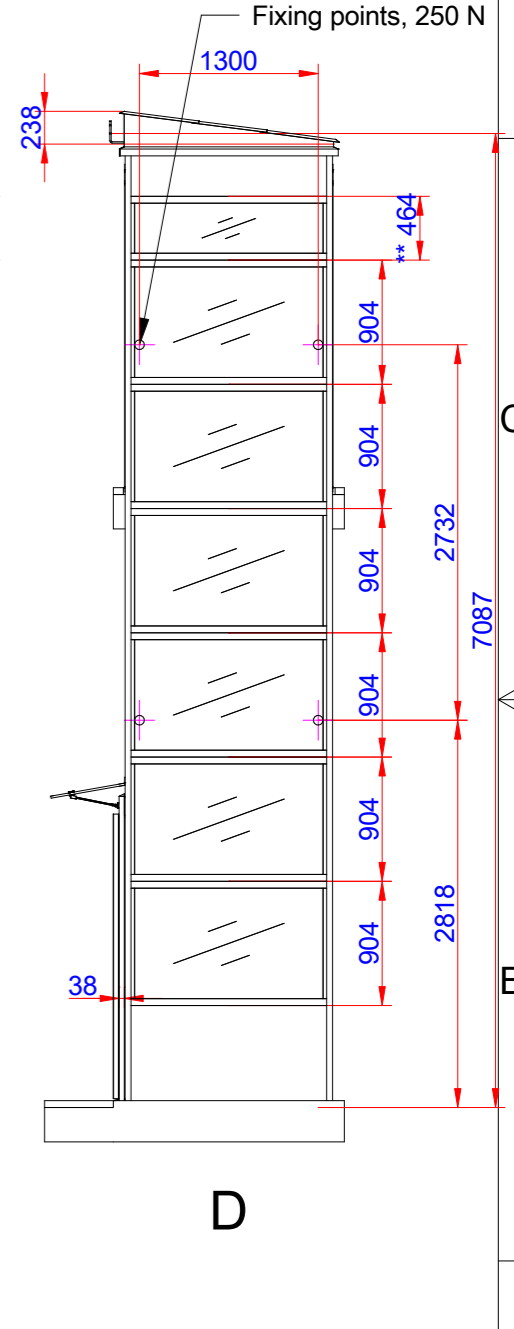
A



B



C



D

Options
Freq. 1x230/240V 50-60Hz 16A Soft
Capacity: 400,00 kg

Approved by
builder:

European view placement:



EOS ID
Tender no
Order no

Principal drawing
A4 Primo Outdoor - 1100*1467
Shaft drawing

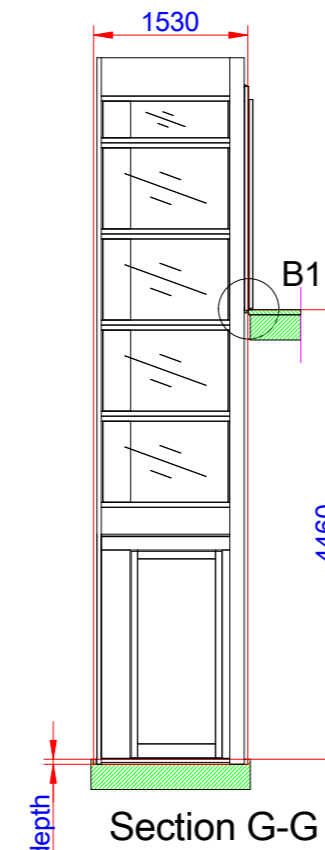
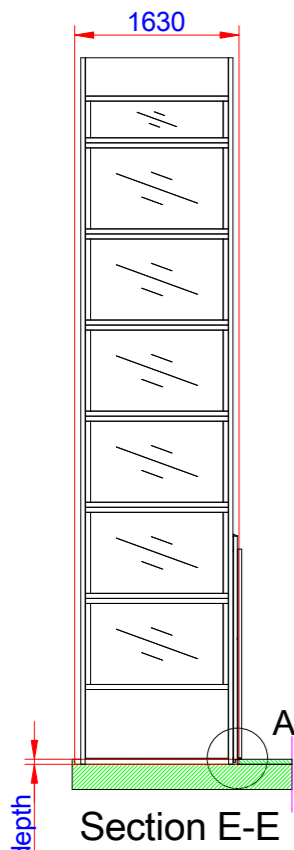
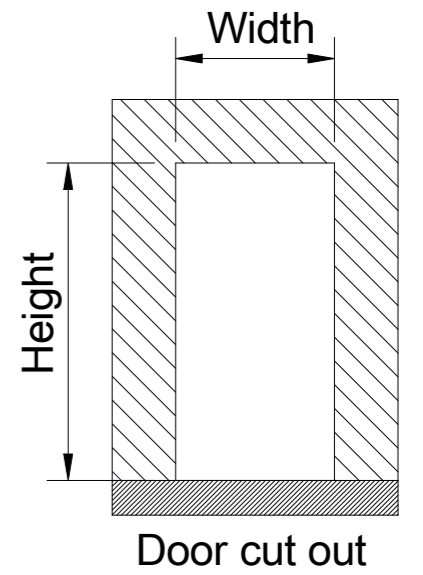
Gen. Tolerances
SS-ISO 27681-1 m

Date
sheet 1 of 6
Scale: A3, 1:85

Shaft cutout sizes

Lift unit installed within a shaft by others

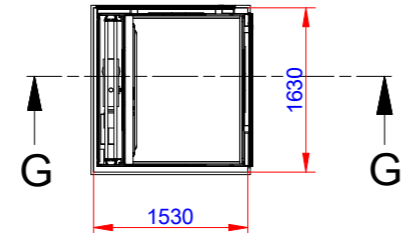
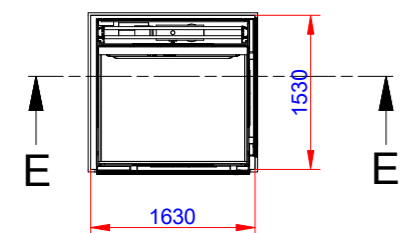
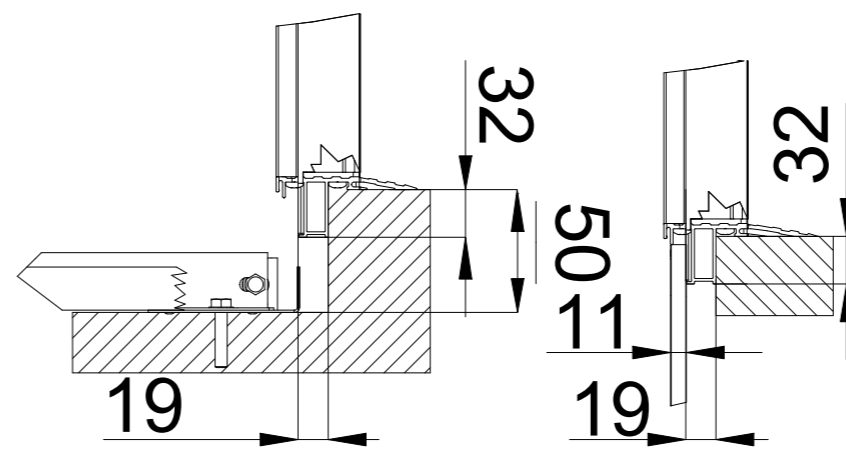
Door front cutout sizes		
Landing	Width	Height
A 0	1530	2250
B 1	1630	2250



50 mm pit depth + 10 mm, - 0 mm.
Bottom surface must be flat

A0 (1:5)

B1 (1:5)



Approved by builder:

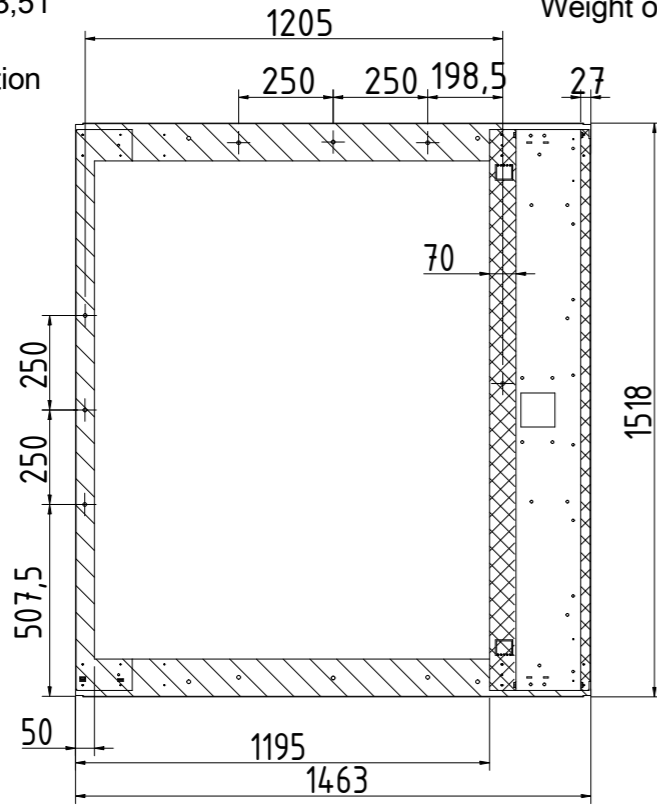
European view placement:



EOS ID		Principal drawing A4 Primo Outdoor - 1100*1467 Cut out sizes	
Tender no			
Order no			
Gen. Tolerances	Date	sheet	Scale:
SS-ISO 27681-1 m		2 of 6	A3, 1:85

Loads sustained by shaft and platform and fixing points bottom frame

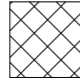
 L section force: 10,22 kN
 L section load: 33,51 kN/m²
 Weight on L-section area: 1022 kg

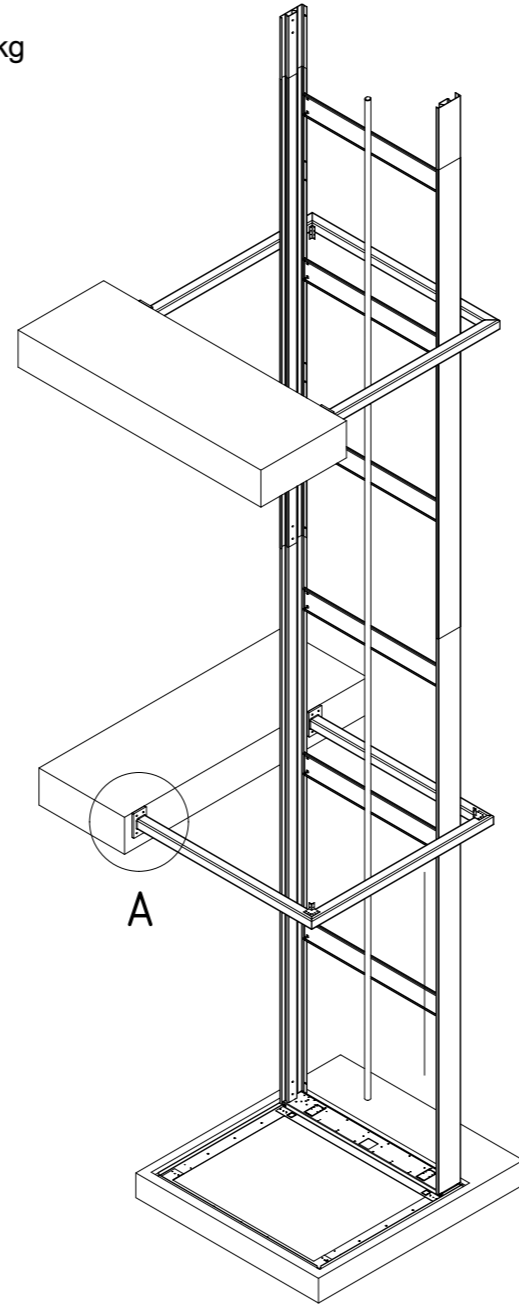


Scale: 1:20

Total weight of the lift equipment (including rated load): 1803 kg

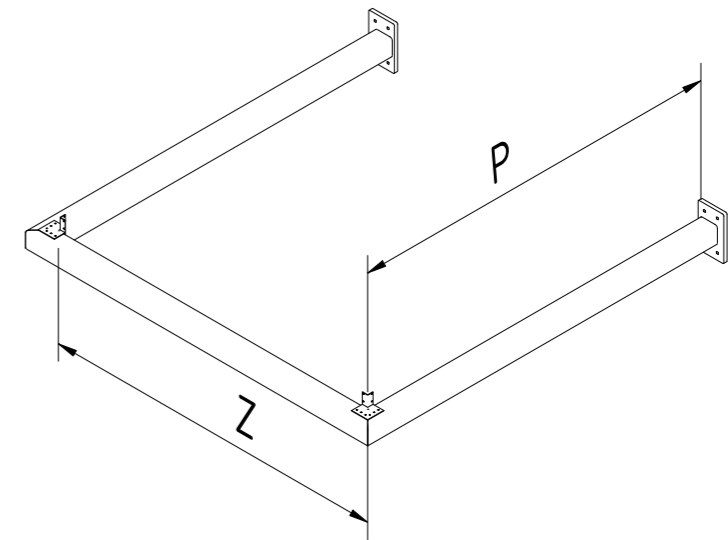
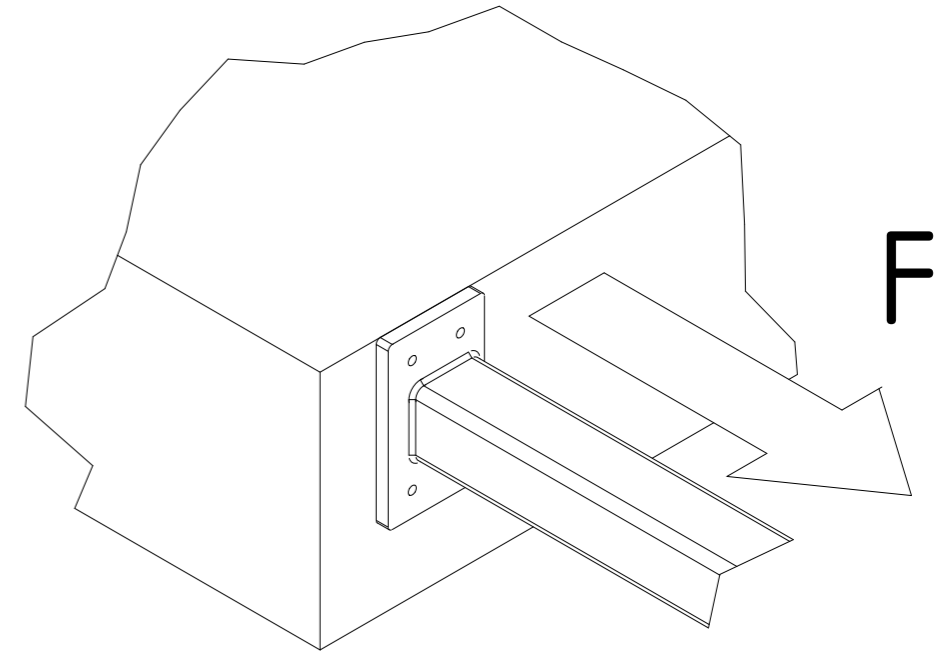
Recommended positioning of fixing points. Loads per fixing point, F=5600 N

 Mast force: 7,31 kN
 Mast load: 58,95 kN/m²
 Weight on mast area: 731 kg



General view

A (1 : 5)



U-bracket				
Open side	QTY	Reinforced	Z	P
B/D	2	true	1560	1540

Free height of the lift shaft may not exceed 2.5 m.
 Distance between two support brackets or between ground and support bracket may not exceed 5.0 m.

Approved by builder:

European view placement:



EOS ID

Tender no

Order no

Gen. Tolerances

SS-ISO 27681-1 m

Principal drawing

A4 Primo Outdoor - 1100*1467
 Loads and forces

Date

sheet

3 of 6

Scale:

A3, 1:85