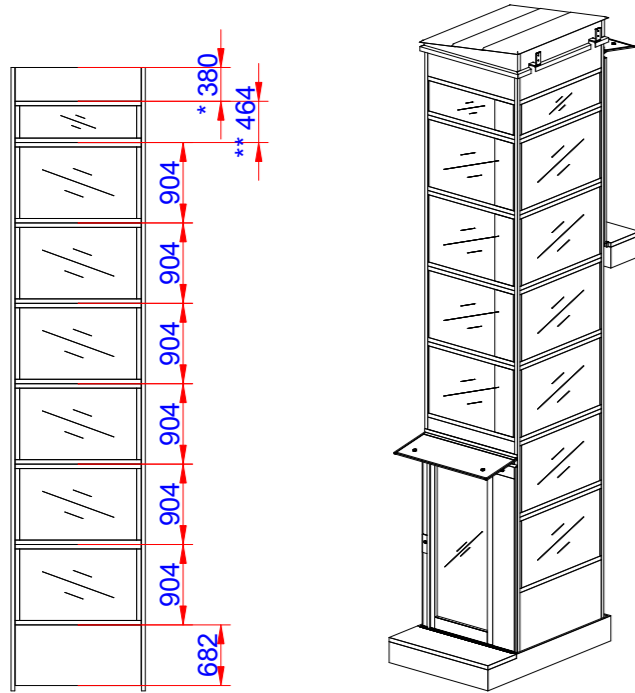


Cutout dimension see sheet
2, forces see sheet 3

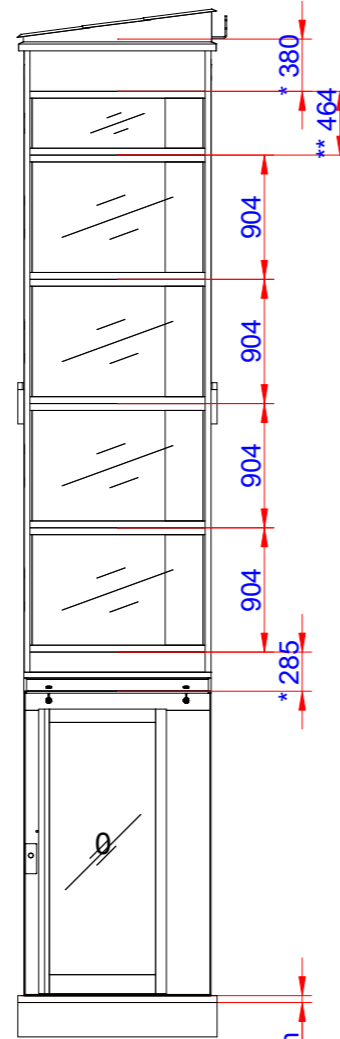
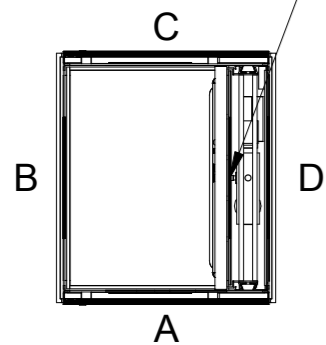
*To be adapted on site
**Customized panel



E

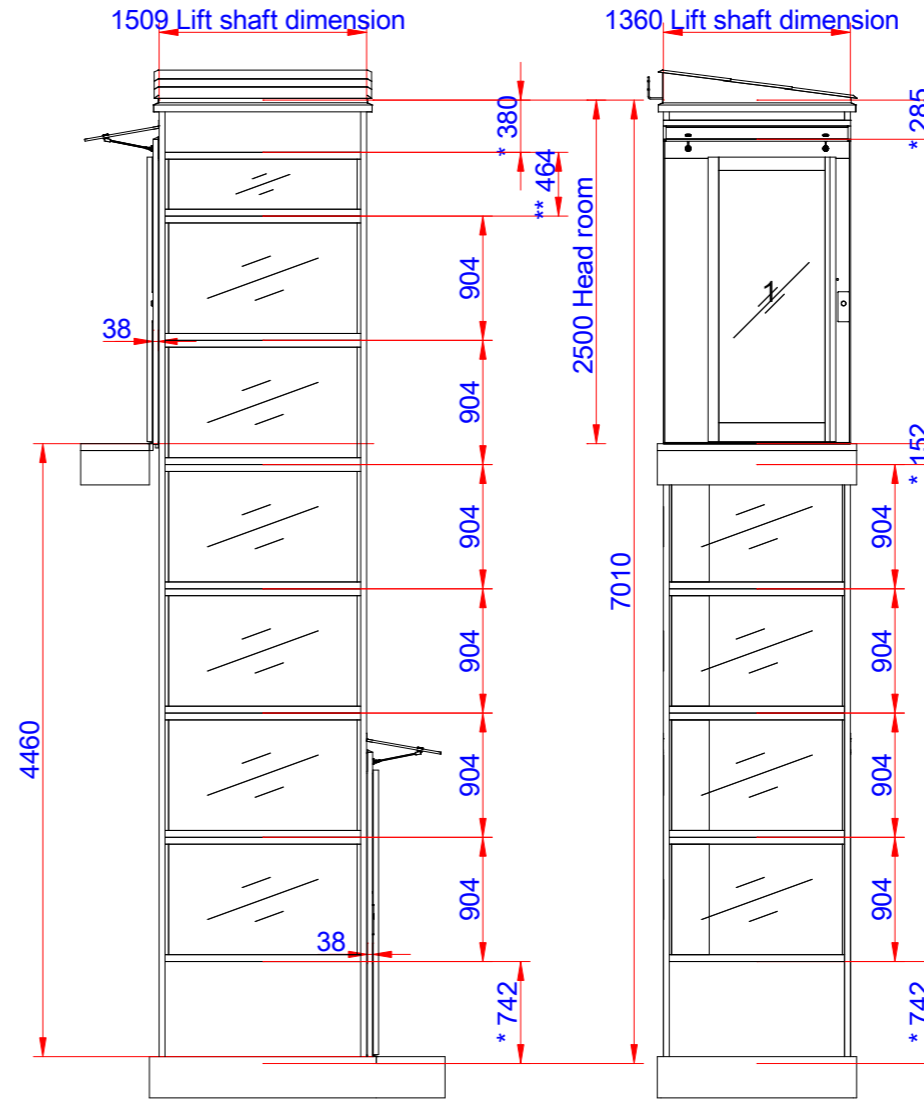
Positioning of machinery:

E=Shield wall



A

50 mm pit depth



B

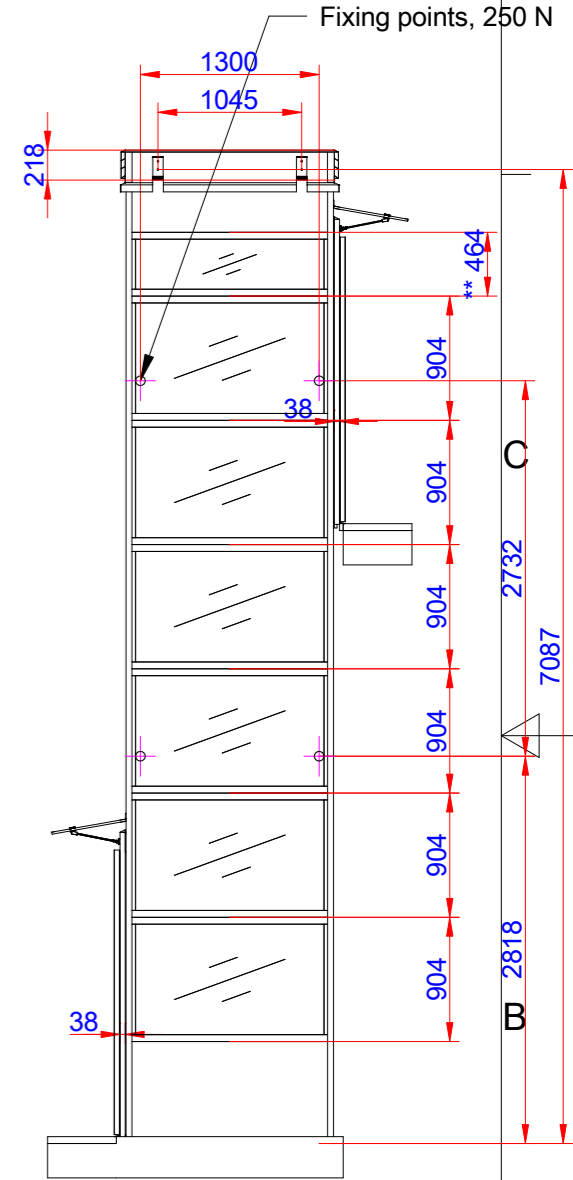
7010

2500 Head room

1509 Lift shaft dimension

1360 Lift shaft dimension

C



D

7087

2732

2818

A

Options
Frekv 1x230/240V 50-60Hz 16 A Soft
Capacity: 400,00 kg

Approved by
builder:

European view placement:



EOS ID

Tender no

Order no

Gen. Tolerances
SS-ISO 27681-1 m

Principal drawing
A4 Primo Outdoor - 1000*1467
Shaft drawing

Date

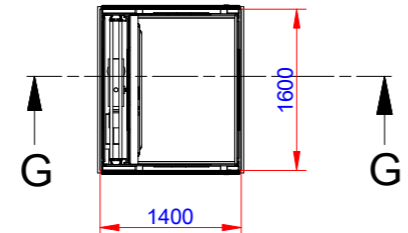
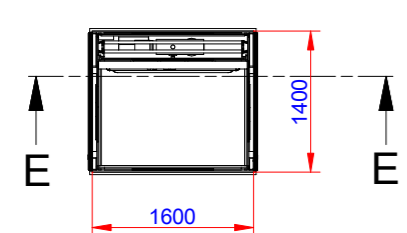
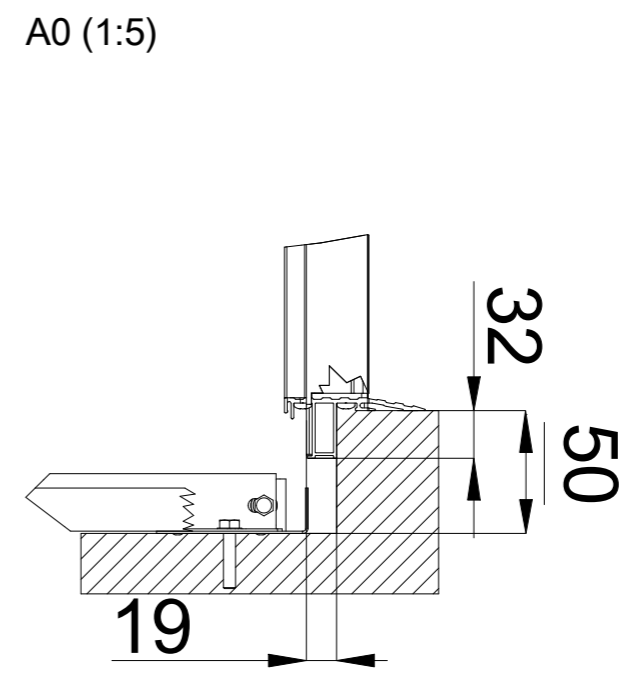
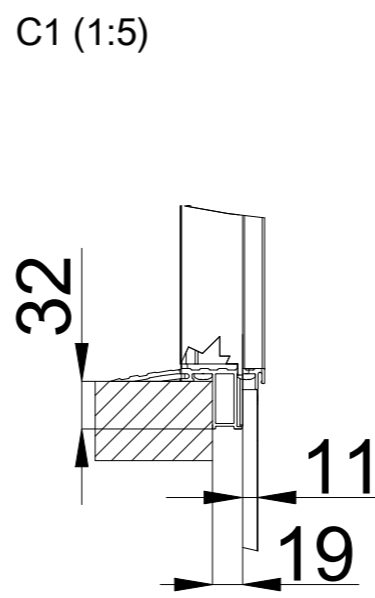
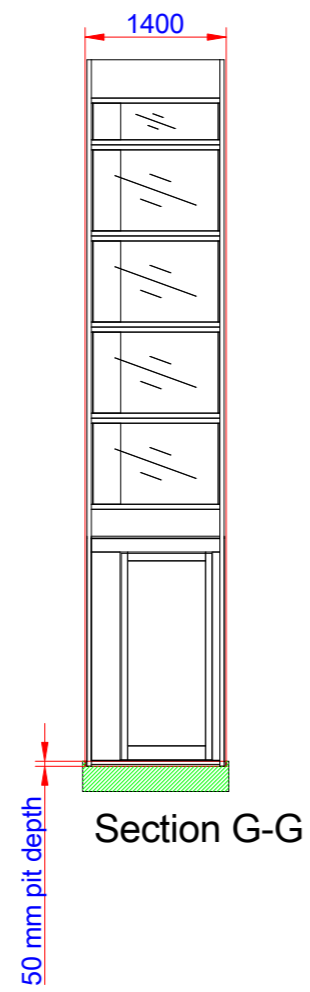
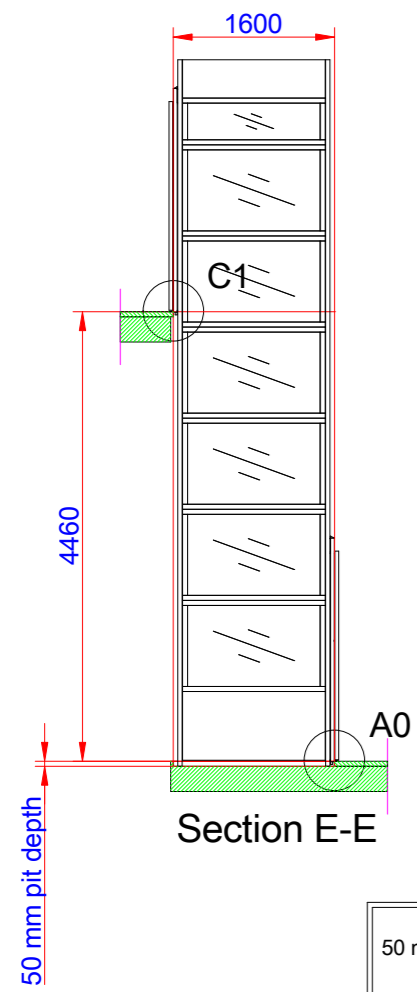
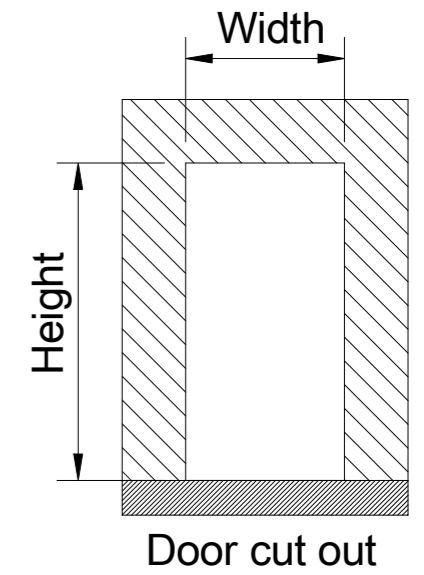
sheet
1 of 6

Scale:
A3, 1:85

Shaft cutout sizes

Clear space required for lift unit not in a shaft by others

Door front cutout sizes		
Landing	Width	Height
A 0	1400	2250
C 1	1400	2250



Approved by builder: _____

European view placement:



EOS ID _____

Tender no _____

Order no _____

Gen. Tolerances SS-ISO 27681-1 m

Principal drawing
A4 Primo Outdoor - 1000*1467
Cut out sizes

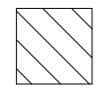
Date _____

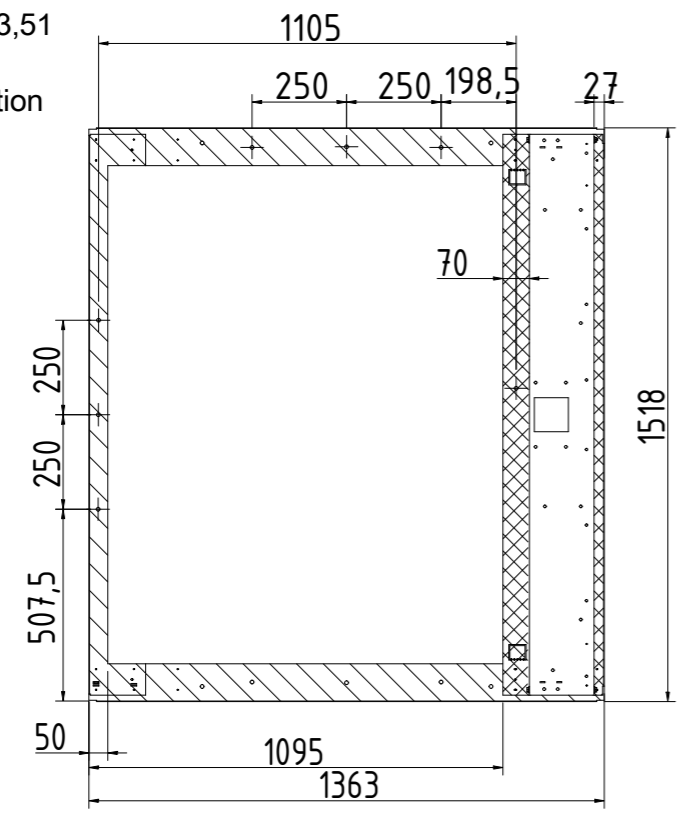
sheet 2 of 6

Scale: A3, 1:85

6 5 4 3 2 1

Loads sustained by shaft and platform and fixing points bottom frame

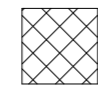

 L section force: 10,22 kN
 L section load: 33,51 kN/m²
 Weight on L-section area: 1022 kg

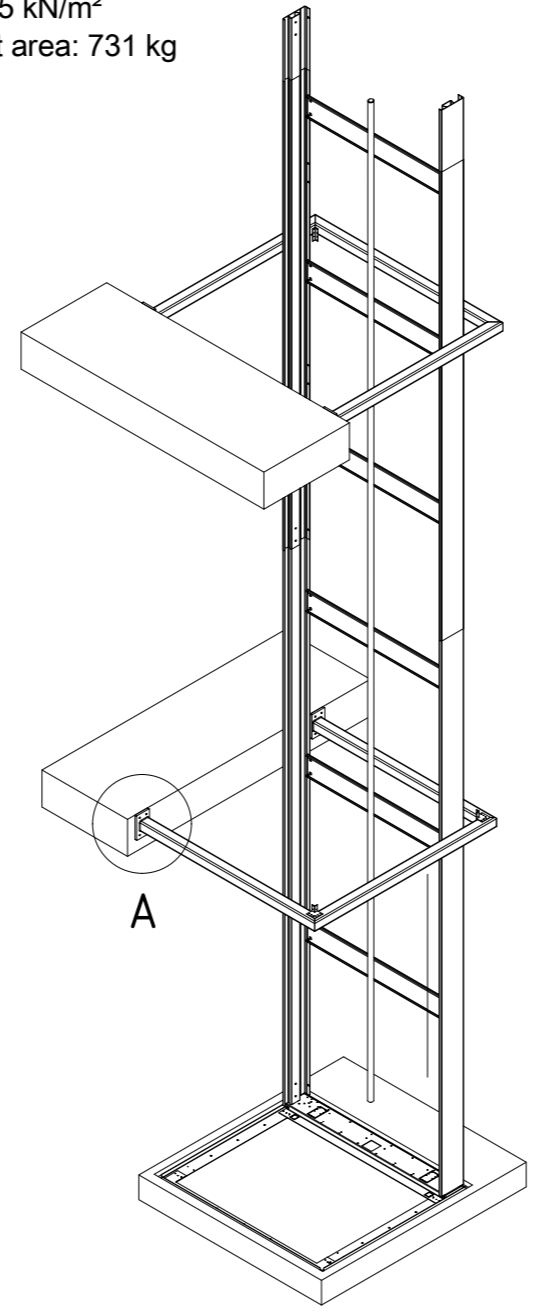


Scale: 1:20

Total weight of the lift equipment (including rated load): 1803 kg

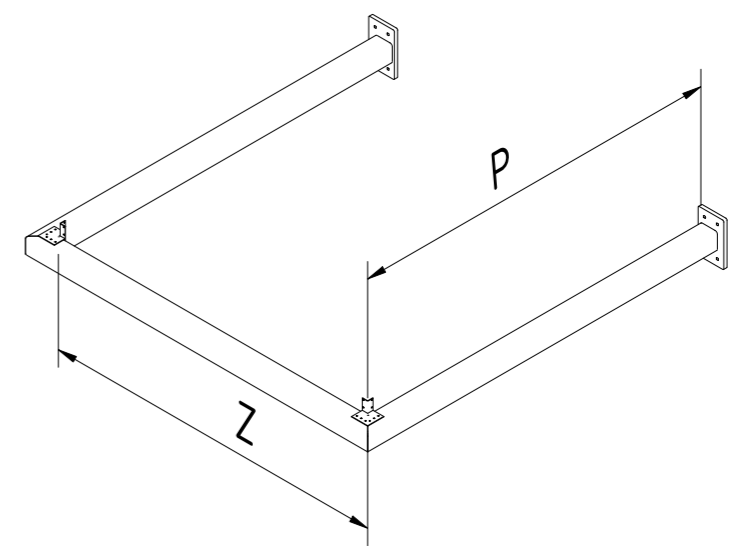
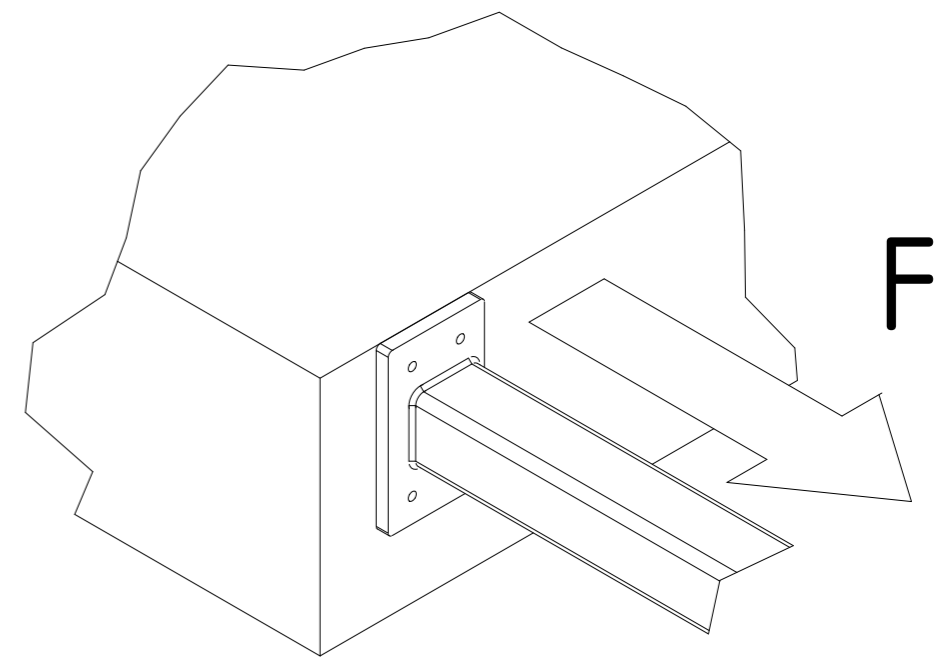
Recommended positioning of fixing points. Loads per fixing point, F=5600 N


 Mast force: 7,31 kN
 Mast load: 58,95 kN/m²
 Weight on mast area: 731 kg



General view


A (1 : 5)



U-bracket				
Open side	QTY	Reinforced	Z	P
A/C	2	true	1440	1560

Free height of the lift shaft may not exceed 2.5 m.
 Distance between two support brackets or between ground and support bracket may not exceed 5.0 m.

Approved by builder:

 European view placement: 



EOS ID
 Tender no
 Order no
 Gen. Tolerances
 SS-ISO 27681-1 m

Principal drawing
 A4 Primo Outdoor - 1000*1467
 Loads and forces
 Date
 sheet 3 of 6
 Scale: A3, 1:85

6 5 4 3 2 1